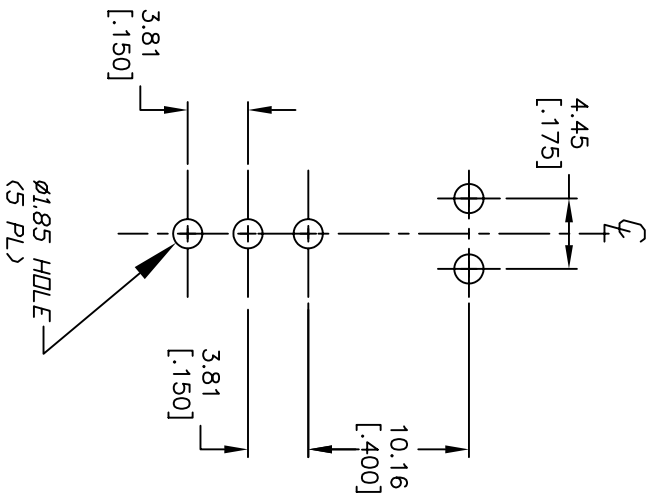
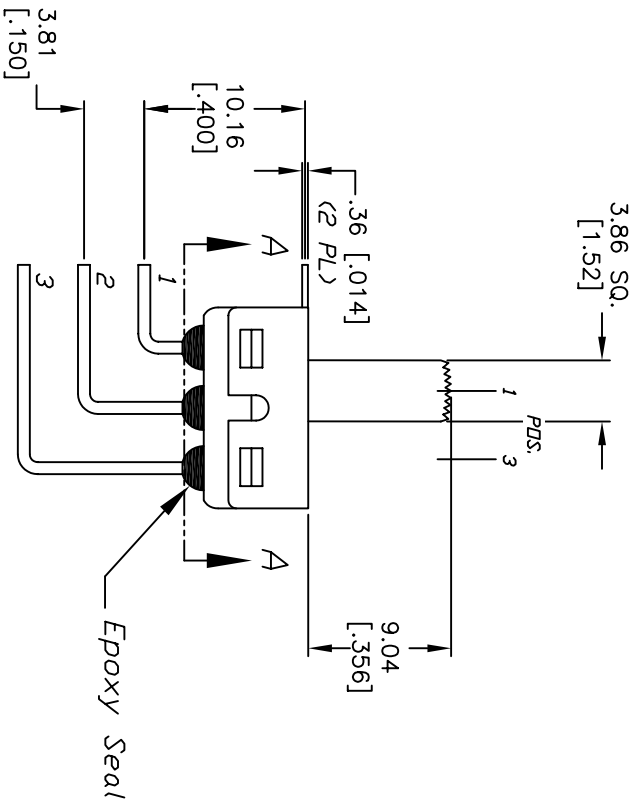
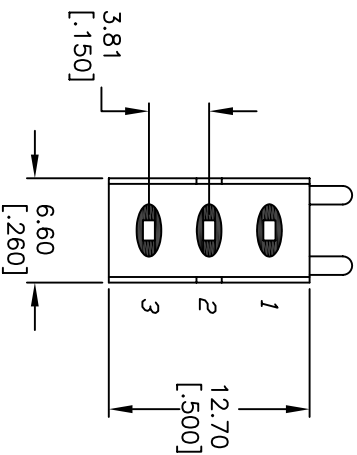
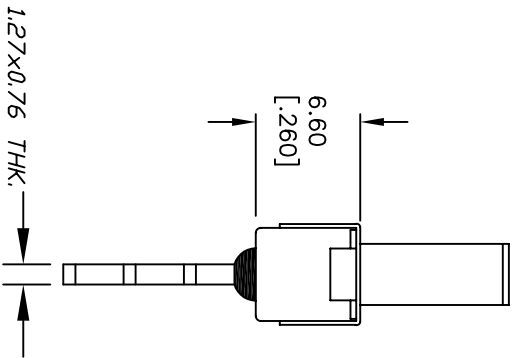
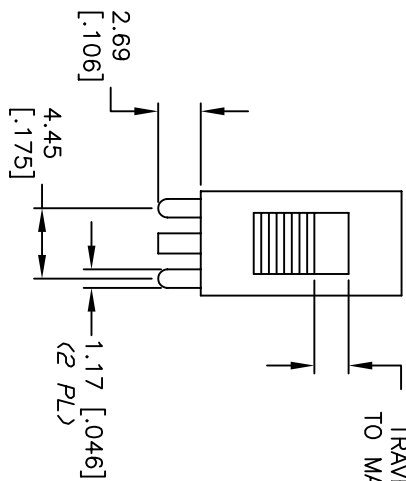


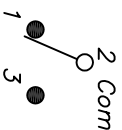
2.16 [.085]
TRAVEL
TO MAKE



NOTES:

1. ALL DIMENSIONS IN MM [INCH]
2. GENERAL TOLERANCE: X.X=±0.4
X.XX=±0.25
3. TERM NOS. FOR REF. ONLY
4. RATING: 0.4VA @20V AC or DC max.
5. CONTACT MATERIAL: Copper Alloy w/Gold plate over
Nickle plate
6. INSULATION RESISTANCE: 1000 Mega Ohms min.
7. DIELECTRIC STRENGTH: 1000V RMS @SEA LEVEL.
8. OPERATING TEMPERATURE: -30°C TO 85°C

CIRCUIT: SPDT



RECOMMENDED P.C.B. HOLES

SWITCH FUNCTION			
PDS. 1	PDS. 2	PDS. 3	
DN	OFF	DN	
2-1	OPEN	2-3	

E-SWITCH®

B	16140	UPDATE ACTUATOR HEIGHT	6/14/06	CT
A	12382	RELEASED	8/19/02	CJB
REV.	ECN NO.	DESCRIPTION	DATE	CHKD

THE INFORMATION CONTAINED IN THIS DOCUMENT IS PROPRIETARY TO E-SWITCH AND IS NOT TO BE COPIED OR TRANSFERRED

TITLE		DATE		DR		DWG		REV		
500 SSP-3 S3 M7 R E A (GOLD CONTACTS)		8/19/02		CJB		T513013		B		
SCALE				DATE				DR		
2:1				8/19/02				CJB		