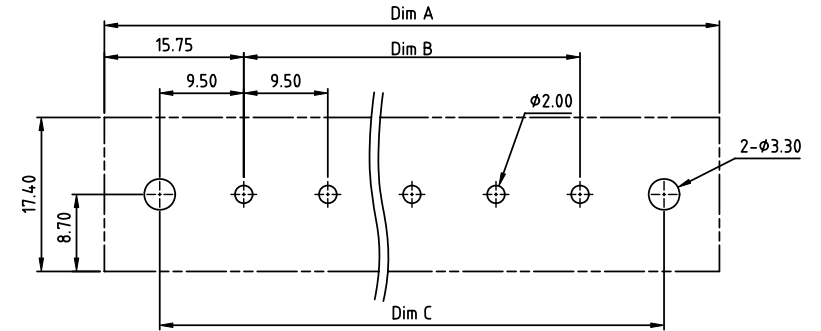
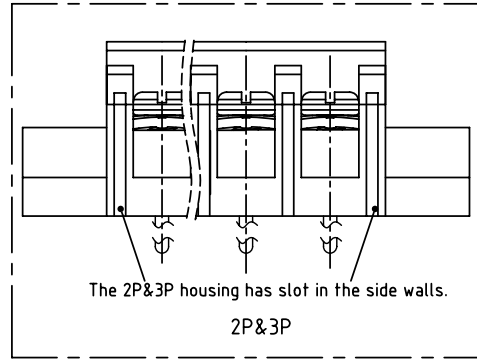
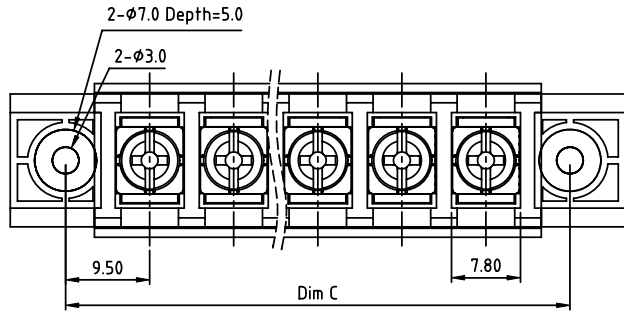
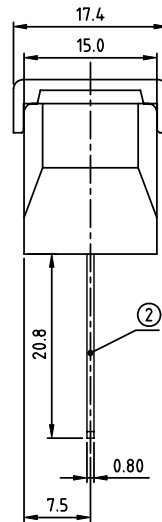
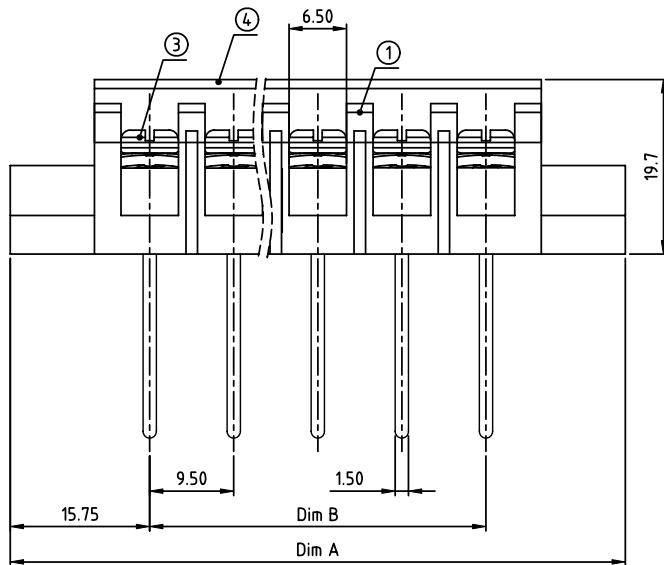


PRODUCT NUMBER	PITCH
YK502xx1x0J0G	9.50 mm



RECOMMENDED P.C.B LAYOUT  
TOP VIEW



**MATERIALS & ELECTRICAL**

**RATED VOLTAGE & CURRENT:** 300 V, 20 A

**WITHSTAND VOLTAGE:** AC 2000 V/Min

**INSULATION RESISTANCE:** 1000 MΩ OR MORE AT DC 500 V

**OPERATING TEMPERATURE RANG:** -40 °C ~ +115 °C

**SCREW TORQUE VALUE:** 12 Lb-In.

**WIRE RANGE:** 22 - 12AWG

**1) HOUSING:** THERMOPLASTIC, UL 94 V-0 BLACK

**2) TERMINAL:** BRASS, 0.8t

**3) TERMINAL SCREWS:** STEEL, M3.5

**COVER MATERIAL:** PC

APPROVAL:

DIMENSION

Dim A	(N+2)×9.5+3.0
Dim B	(N-1)×9.5
Dim C	(N+1)×9.5

N=Number of poles

Poles	Tolerance
2p-4p	±0.20
5p-10p	±0.30
11p-24p	±0.40
25p-30p	±0.60

PART NO.: YK 502xx 1 x 0 J0G

No. of poles  
02 2 poles  
03 3 poles  
... ..  
30 30 poles

Plated		
Code	Terminal	Screw
0	G/F	G/F
1	G/F	Zinc
2	Tin	G/F
3	Tin	Zinc

RoHS compliant  
(lead<4%)  
In copper Alloy

mat'l. code		surface ASME Y14.5 ✓	tolerance ASME Y14.5	projection 	product family TERMINAL BLOCK
ltr	ecn no	dr	date	tolerances unless otherwise specified	title TERMINAL BLOCK
				angles 0° 15° 30° 45° 60° 75° 90° X*±1°	MM BARRIER TYPE, WITH FLANGE & COVER
				dr	scale
				enr	EVAN LU 061314
				chr	HANKE FENG 061314
				appd	SHI JUN 061314
sheet index	revision	A			dwg no YK502xx1x0J0G
	sheet	1			sheet 1 of 1 size A4
					type CUSTOMER Drawing