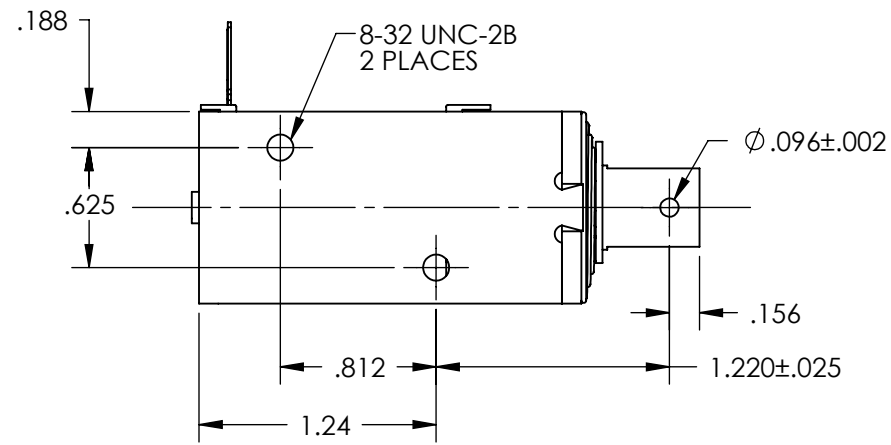
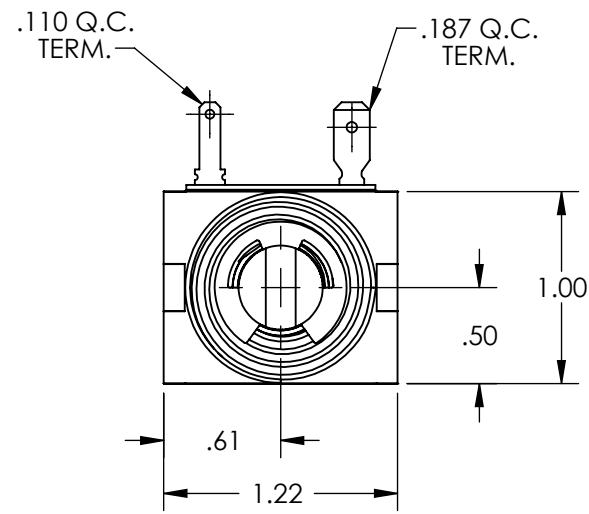
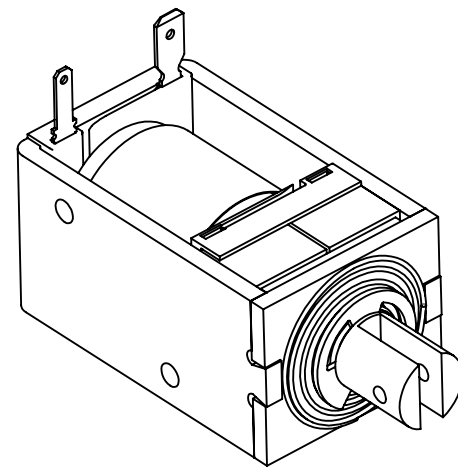
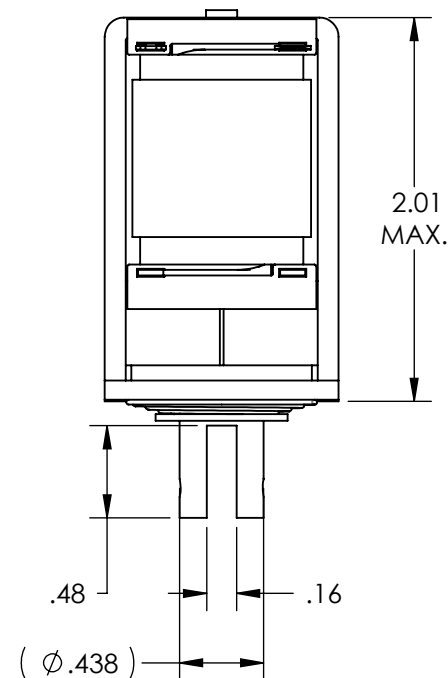
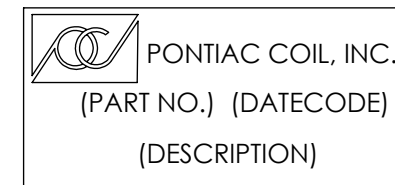


REVISIONS					
REV	BY	ECN	DESCRIPTION	DATE	APPD
A	RCH	04-018	RELEASE FOR PRODUCTION	8-20-04	RCH



PART NO.	DESCRIPTION	OHMS ± 10% @ 25°C ◊	PULL-IN VOLTS	RELEASE VOLTS	DIGI-KEY NO.
G0411A	M-82PL012D-07-SR	20.0	12.0	5.5-7.5	527-1042-ND
G0412A	M-82PL012D-20-SR	7.4	12.0	4.5-5.5	527-1043-ND
G0413A	M-82PL012D-70-SR	2.0	12.0	2.0-3.0	527-1044-ND
G0414A	M-82PL024D-07-SR	82.0	24.0	11.0-13.0	527-1045-ND
G0415A	M-82PL024D-20-SR	29.0	24.0	8.0-10.0	527-1046-ND
G0416A	M-82PL024D-70-SR	7.4	24.0	4.5-5.5	527-1047-ND

LABEL INFO:



ACTUAL SIZE

UNLESS OTHERWISE SPECIFIED ALL DIMENSIONS ARE IN INCHES DIMENSIONS IN [] ARE MILLIMETERS TOLERANCES: .X [X] ± .1 .XX [0.X] ± .01 .XXX [0.XX] ± .005 .XXXX [0.XXX] ± .0005 FRACTIONS ± 1/32 ANGLES IN DEGREES ± 2° DO NOT SCALE DRAWING	MATL: SEE BOM PRINTS	PONTIAC COIL INC. TITLE: CUSTOMER DRAWING M82	
	FINISH/ PLATING: SEE BOM PRINTS		FILE NAME: CD-G041XA.SLDDRW SIZE: B DWG NO: CD-G041XA
	NEXT ASSY: THIS DOCUMENT IS THE PROPERTY OF PONTIAC COIL INC. AND ALL CONTENTS ARE PROPRIETARY	CUSTOMER P/N: DIGI-KEY SCALE: 1=1 MFCODE: SHEET 1 OF 1	FULL FILE NAME: E:\DWG\SPCS\CD-G041XA.SLDDRW
	ANSI Y14.5M-1982		