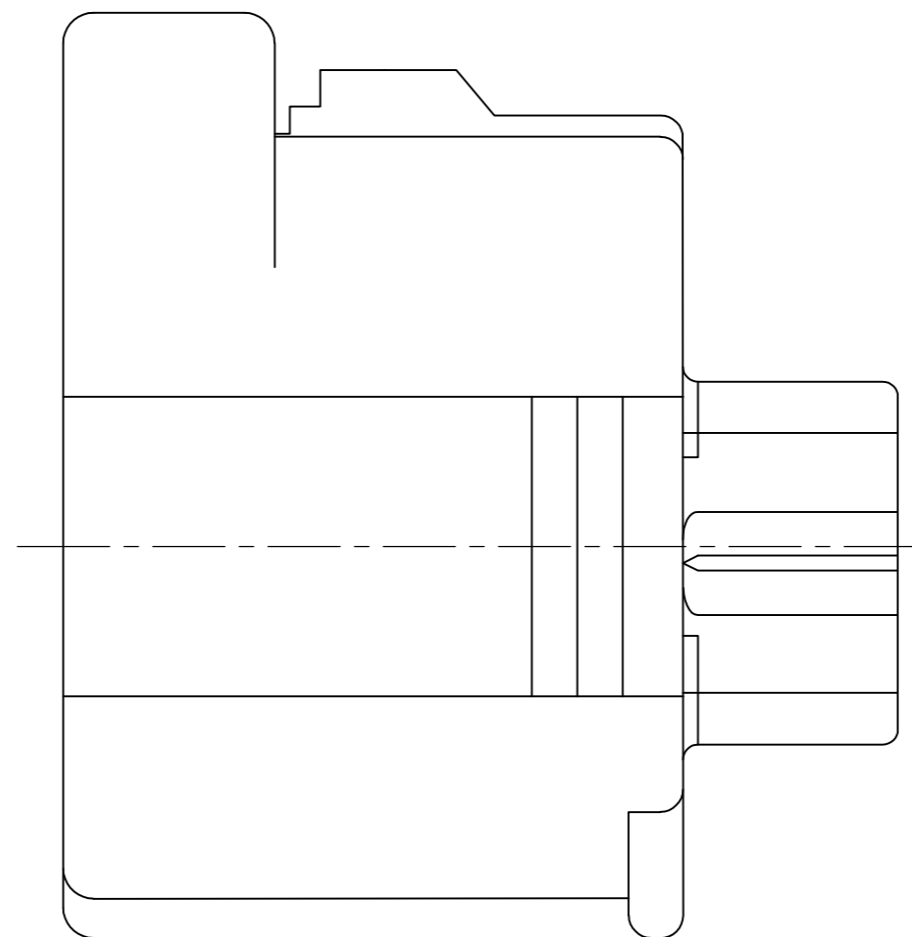
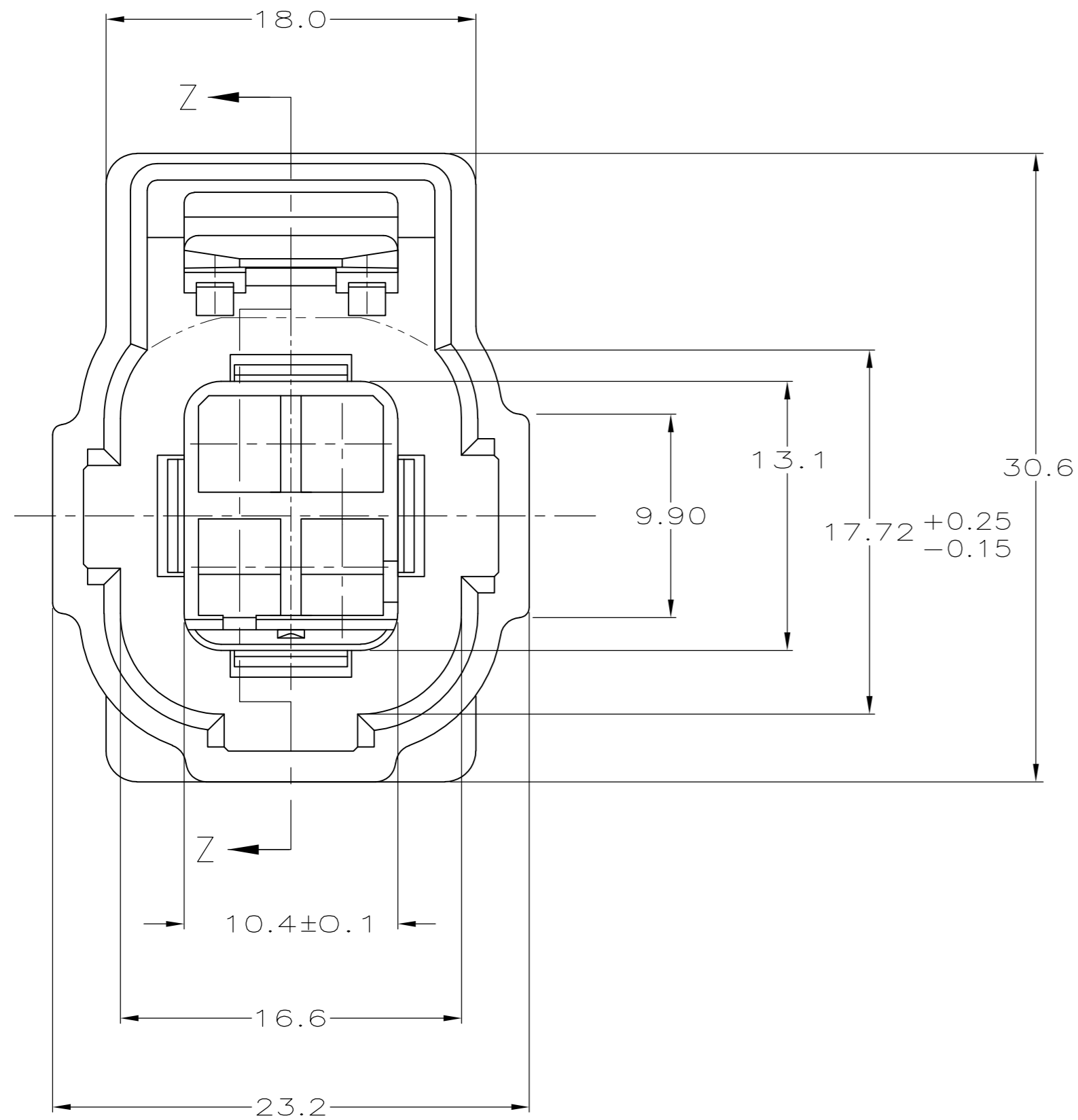
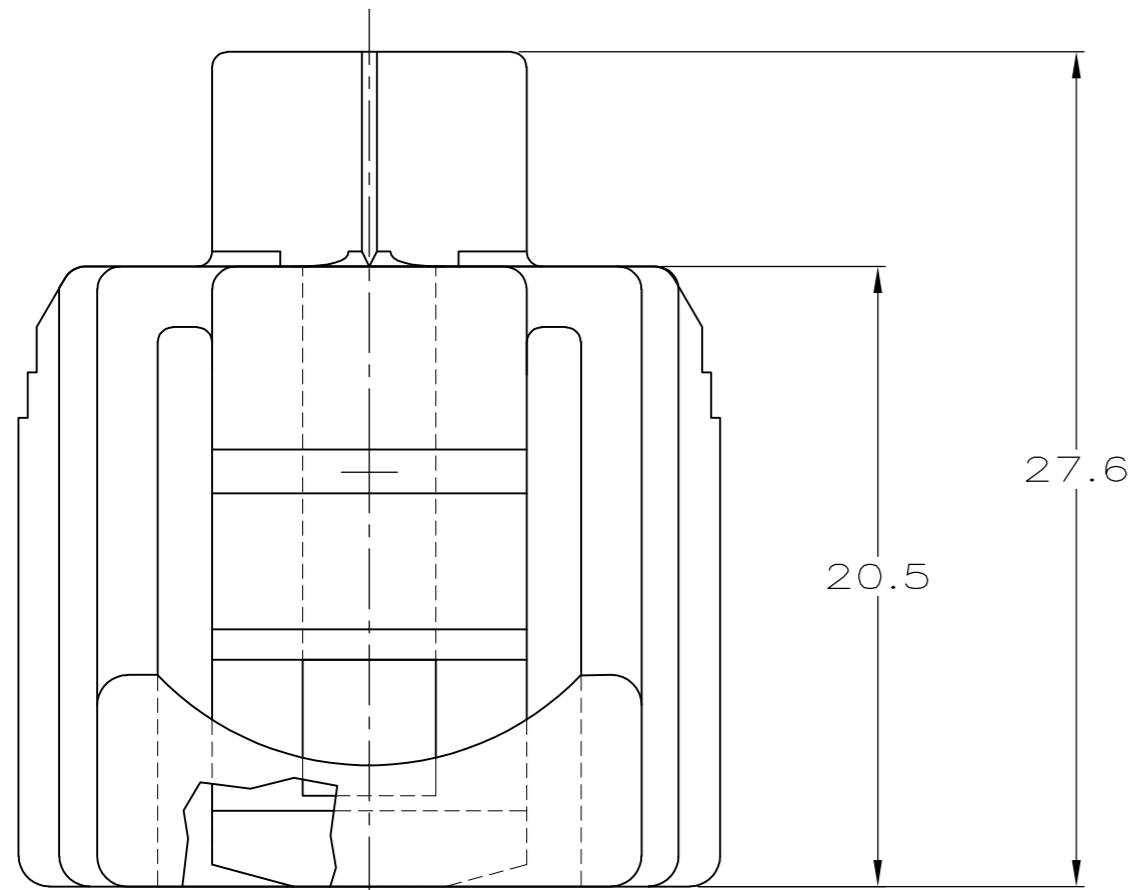


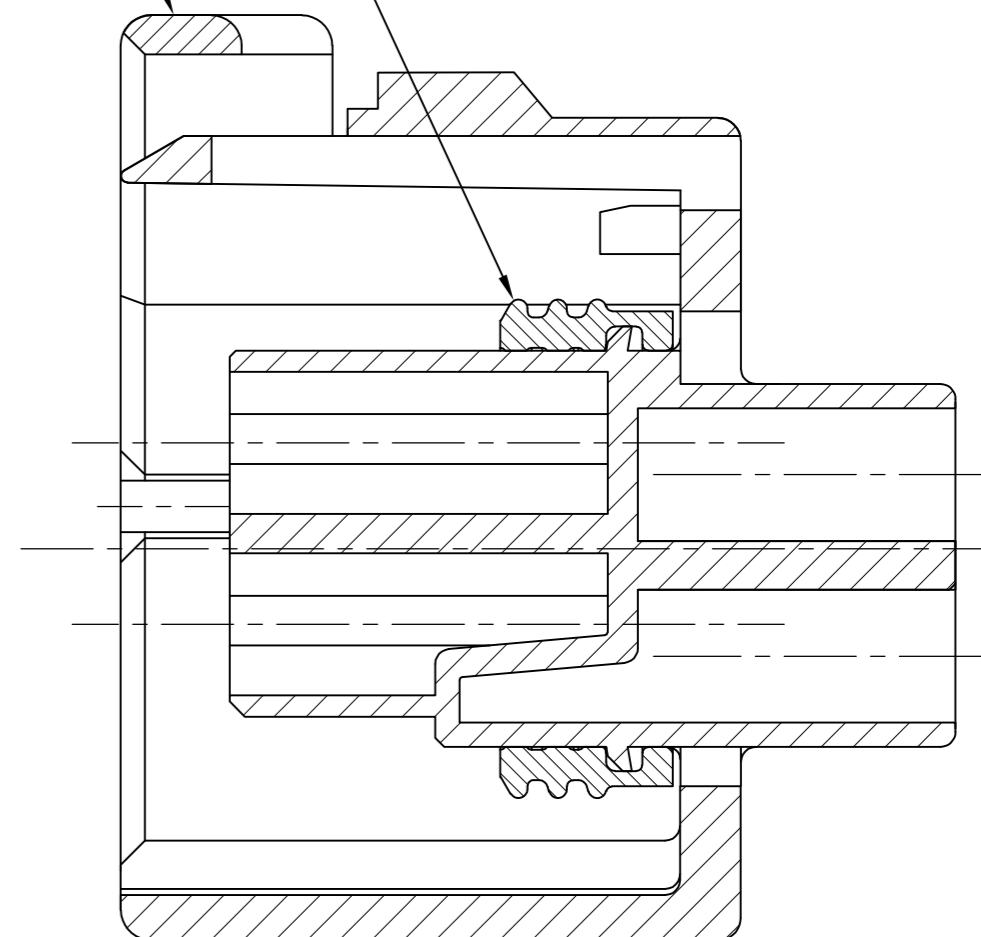
THIS DRAWING IS UNPUBLISHED. RELEASED FOR PUBLICATION  
 © COPYRIGHT BY TYCO ELECTRONICS CORPORATION. ALL INTERNATIONAL RIGHTS RESERVED.

LOC	DIST	REVISIONS					
GE	00	P	LTR	DESCRIPTION	DATE	DWN	APVD
		B		REVISED PER ECO-09-008507	09APR2009	DD	MB



PLUG HOUSING  
 MATL: 4/6 NYLON, 30% GLASS FILLED  
 COLOR, BLACK

SEAL RING  
 MATL: SILICONE RUBBER  
 COLOR, BROWN



SECTION Z-Z  
 SCALE 4:1

184391-1

PART NUMBER

THIS DRAWING IS A CONTROLLED DOCUMENT.		DWN P. YEAGER 11JAN00	Tyco Electronics Corporation Harrisburg, PA 17105-3608	
DIMENSIONS: mm		CHK M. HUDDLESTON 11JAN00	NAME 2X2 DELETE PLUG ASSEMBLY, CLASS 4	
TOLERANCES UNLESS OTHERWISE SPECIFIED: 0 PLC ± - 1 PLC ± - 2 PLC ± - 3 PLC ± - 4 PLC ± - ANGLES ± -		APVD M. HUDDLESTON 11JAN00	PRODUCT SPEC APPLICATION SPEC	
MATERIAL -		FINISH -	WEIGHT -	RESTRICTED TO -
		SIZE A2	CAGE CODE 00779	DRAWING NO C=184391
		CUSTOMER DRAWING		SCALE 4:1 SHEET 1 of 1 REV B