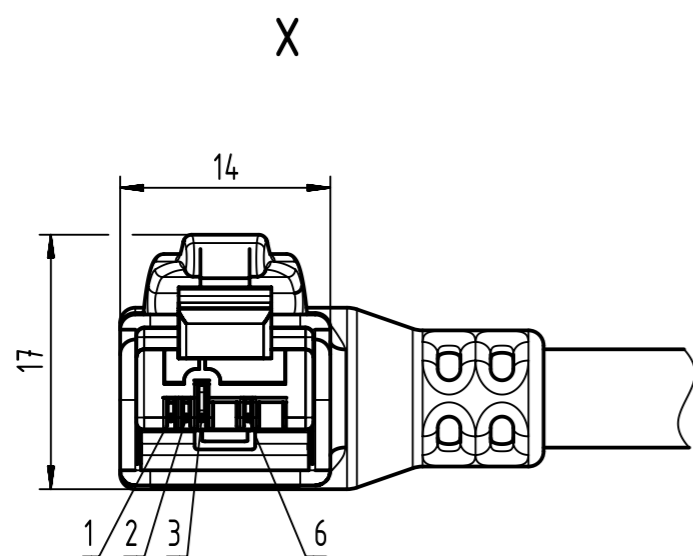
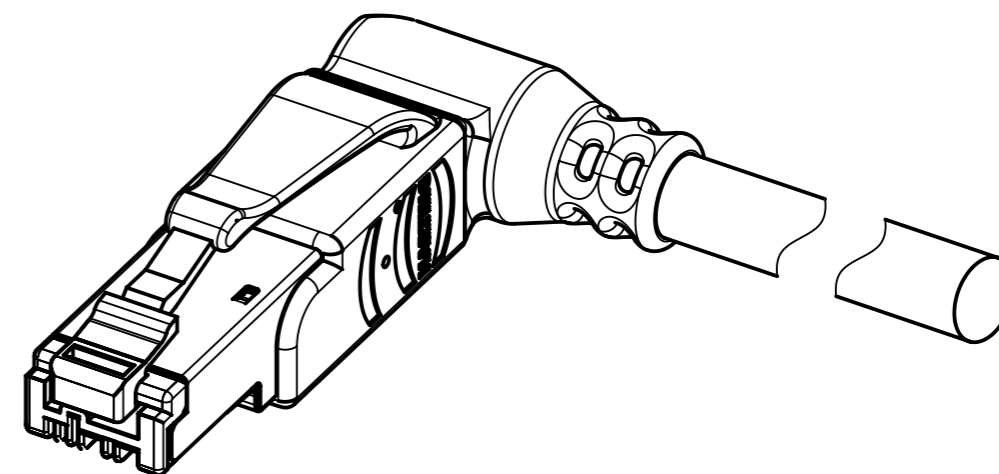
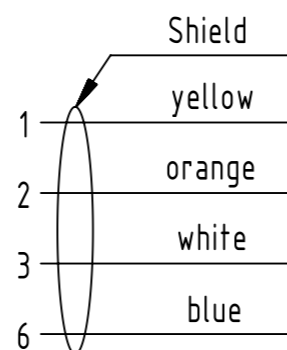


Mating face RJ45 acc. to IEC 60603-7
 ↑ X



Loading-Plan:



- Protection level: IP20
- Temperature range: -40°C ... +70°C

	All Dimensions in mm Original Size DIN A3		Scale 2:1	Free size tol.		Ref.
	All rights reserved Department EC PD - RO		Created by MUNTEANV	Inspected by AVRAM	Standardisation HOFFMANN	Date 2016-01-25
HARTING Electronics GmbH D-32339 Espelkamp		Title RJ Industrial Cable Assembly			Doc-Key / ECM-Nr. 100081066/UGD/014/D 50000099449	
		Type TB	Number 094705000XX		Rev. D	Page 1/2

