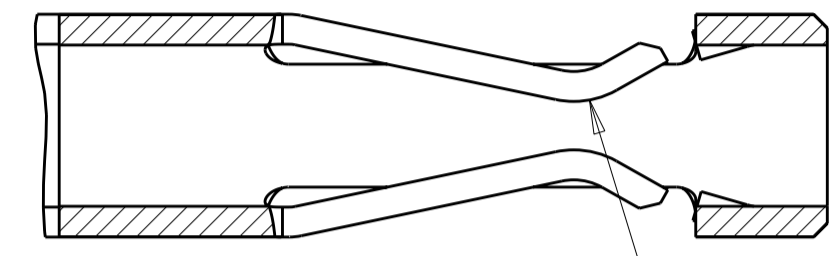
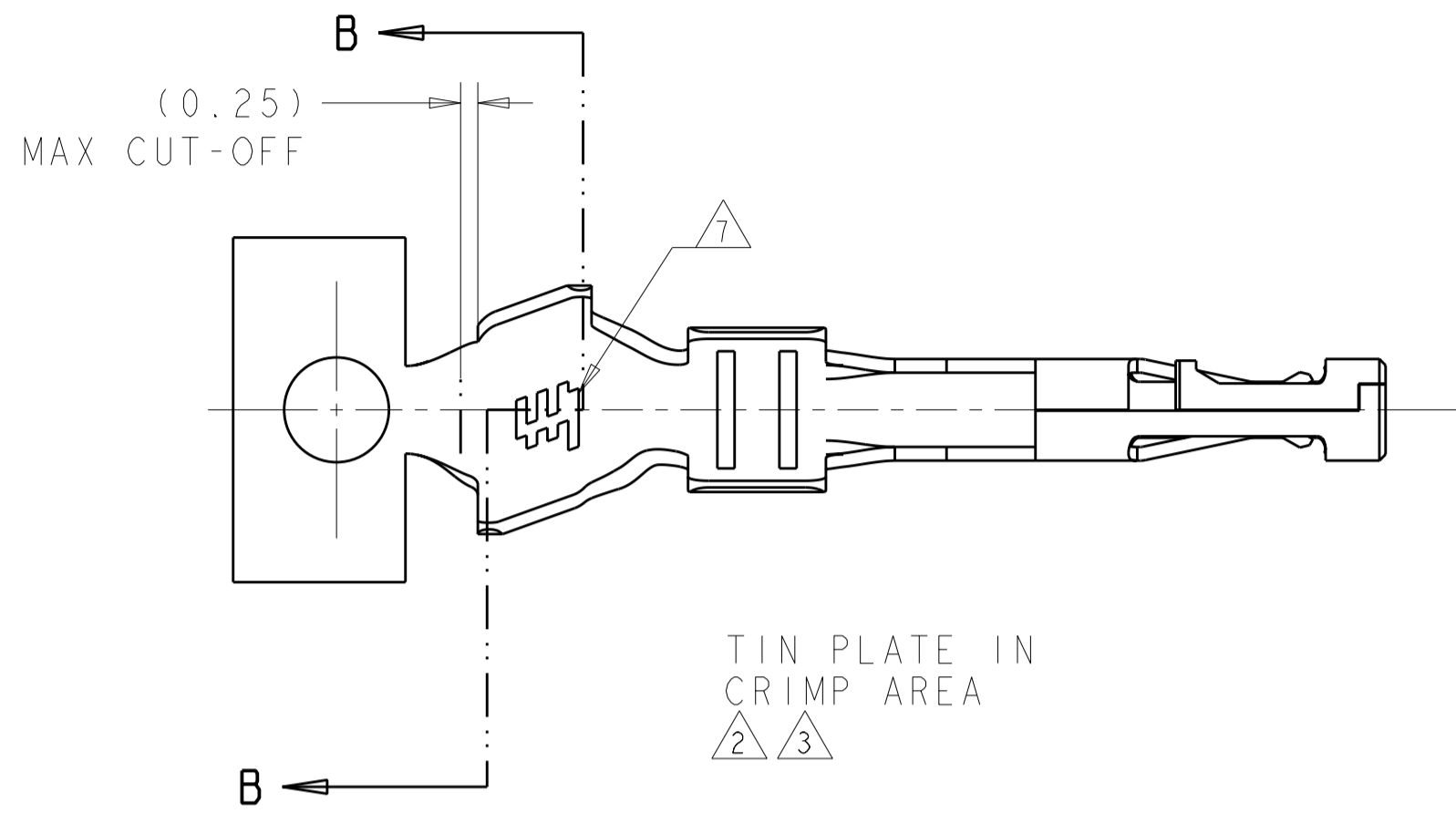


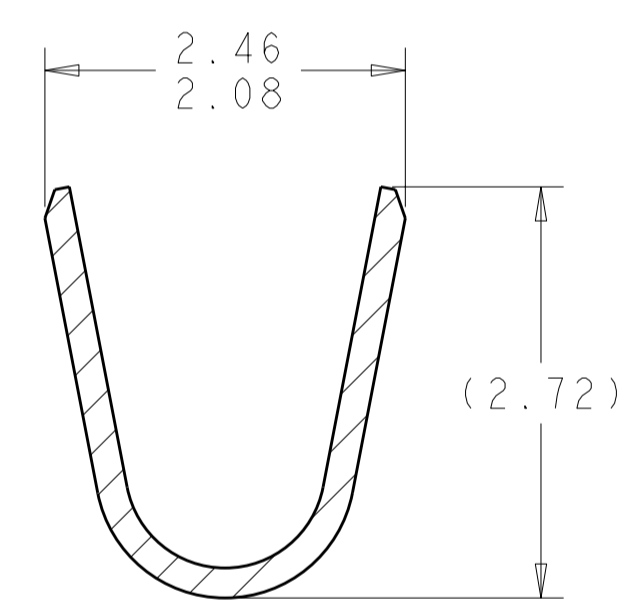
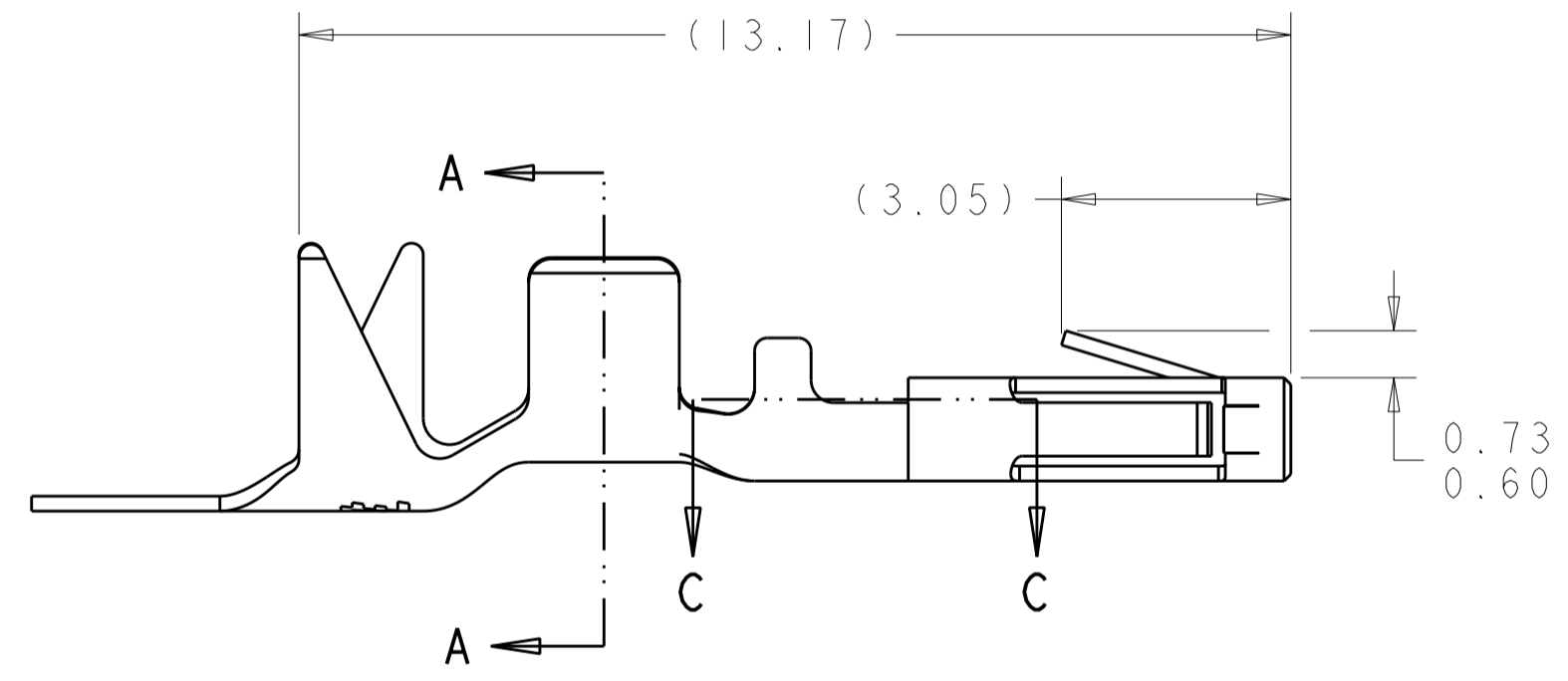
THIS DRAWING IS UNPUBLISHED. RELEASED FOR PUBLICATION 20
 © COPYRIGHT 20 BY TYCO ELECTRONICS CORPORATION. ALL RIGHTS RESERVED.

REVISIONS					
P	LTR	DESCRIPTION	DATE	DWN	APVD
A		REVISED PER ECO-09-012256	22MAY2009	HMR	SM

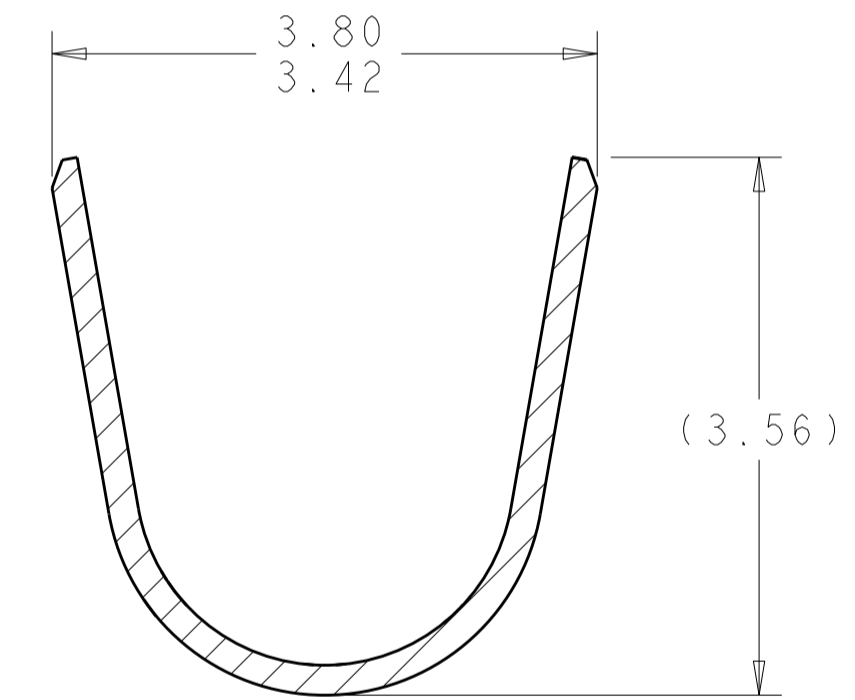


SECTION C-C
SCALE 20:1
GOLD STRIPE TO BE ON THIS SIDE OF MATERIAL IN CONTACT AREA

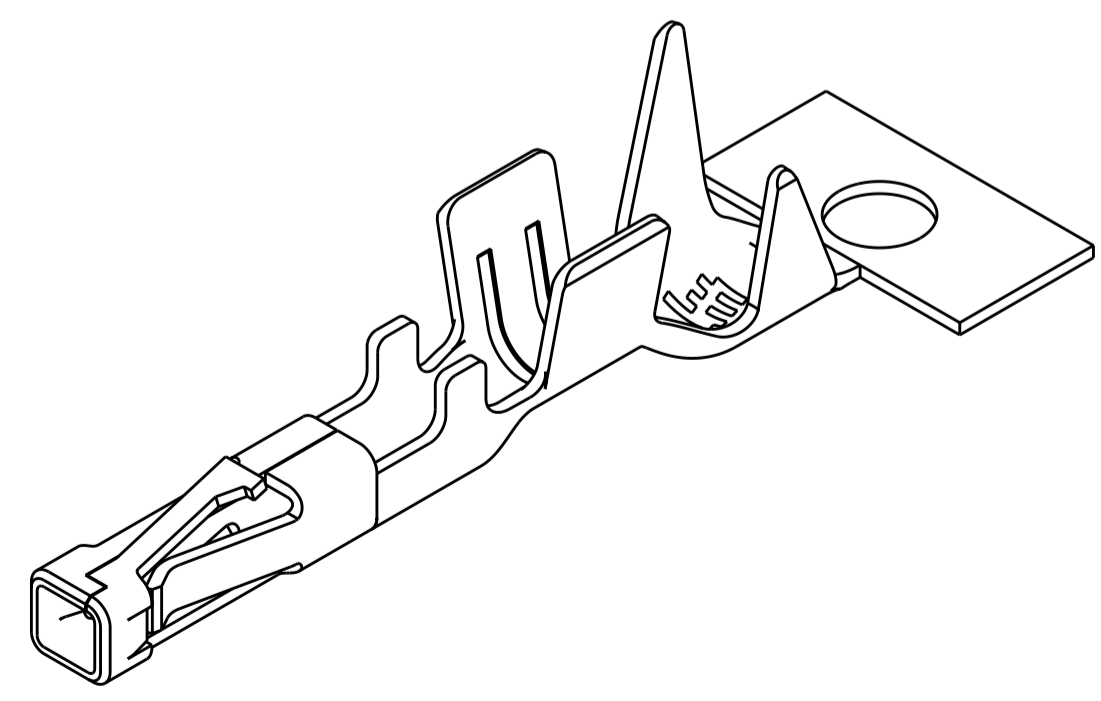
- 1 PHOSPHOR BRONZE, 0.2 THK REF.
- 2 0.000381 MIN THK GOLD STRIPE IN CONTACT AREA, 0.00127 MIN BRIGHT TIN PLATE IN CRIMP AREA, 0.00127 MIN NICKEL PLATE ALL OVER.
- 3 0.000762 MIN THK GOLD STRIPE IN CONTACT AREA, 0.00127 MIN BRIGHT TIN PLATE IN CRIMP AREA, 0.00127 MIN NICKEL PLATE ALL OVER.
- 4. WIRE RANGE : 22 - 18 AWG
- 5. INSULATION RANGE : \varnothing 1.50 - 2.79
- 6 0.0381 MIN THK BRIGHT TIN PLATE, LUBRICATED
- 7 TYCO ELECTRONICS LOGO LOCATED APPROXIMATELY AS SHOWN.



SECTION A-A
SCALE 20:1



SECTION B-B
SCALE 20:1



3	2008625-3
2	2008625-2
6	2008625-1
FINISH	PART NUMBER



THIS DRAWING IS A CONTROLLED DOCUMENT FOR TYCO ELECTRONICS CORPORATION. IT IS SUBJECT TO CHANGE AND THE CONTROLLING ENGINEERING ORGANIZATION SHOULD BE CONTACTED FOR THE LATEST REVISION.		DWN R. BROWN 03APR2008	Tyco Electronics Harrisburg, PA 17105-3608	
DIMENSIONS: mm		CHK M. McCARTHY 03APR2008	NAME CONTACT, RECEPTACLE, CRIMP SNAP-IN MICRO MATE-N-LOK(TM) 22-18 AWG	
TOLERANCES UNLESS OTHERWISE SPECIFIED: 0 PLC ± 1 PLC ± 2 PLC ±0.13 3 PLC ± 4 PLC ± ANGLES ±1° FINISH		APVD C. JONES 28MAY2008	RESTRICTED TO	
MATERIAL 1 - SEE NOTES		PRODUCT SPEC -	SIZE A200779	CAGE CODE C-2008625
		APPLICATION SPEC -	DRAWING NO -	SCALE 10:1
		WEIGHT -	SHEET 1 OF 1 REV A	
		CUSTOMER DRAWING		