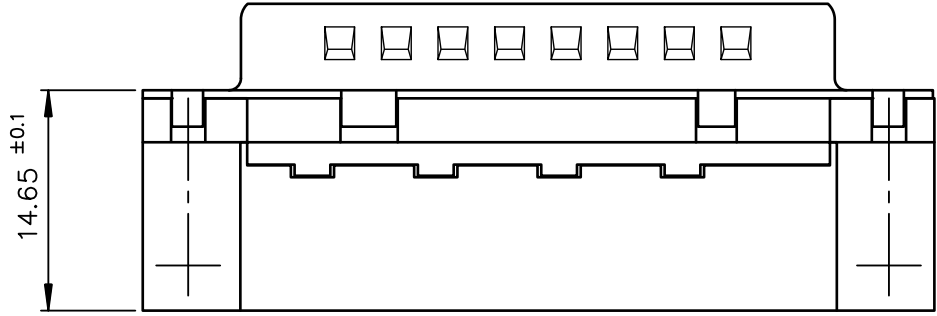
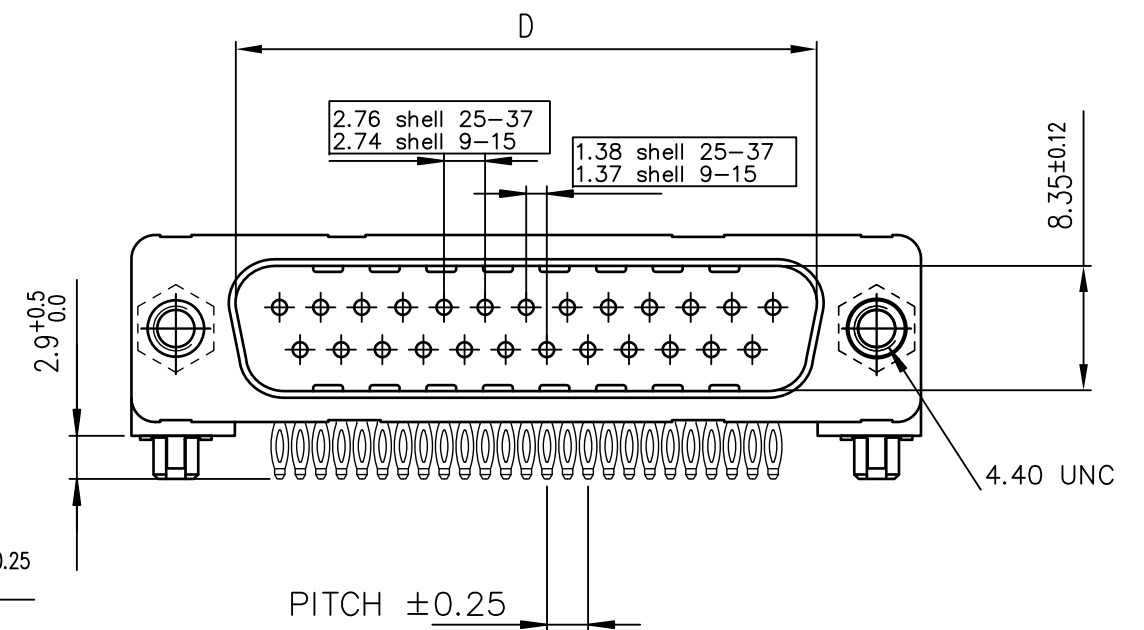
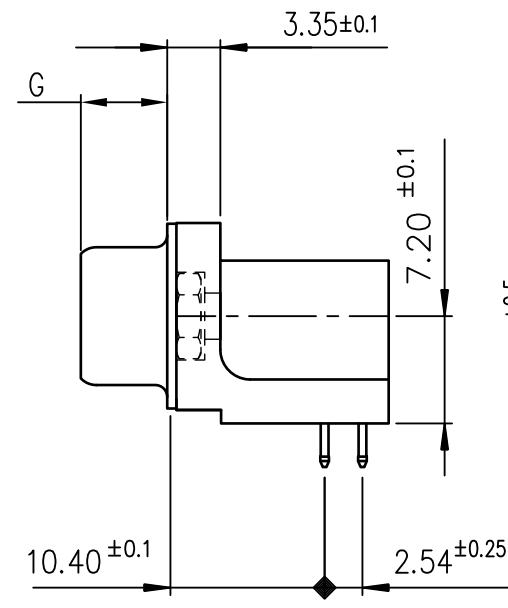
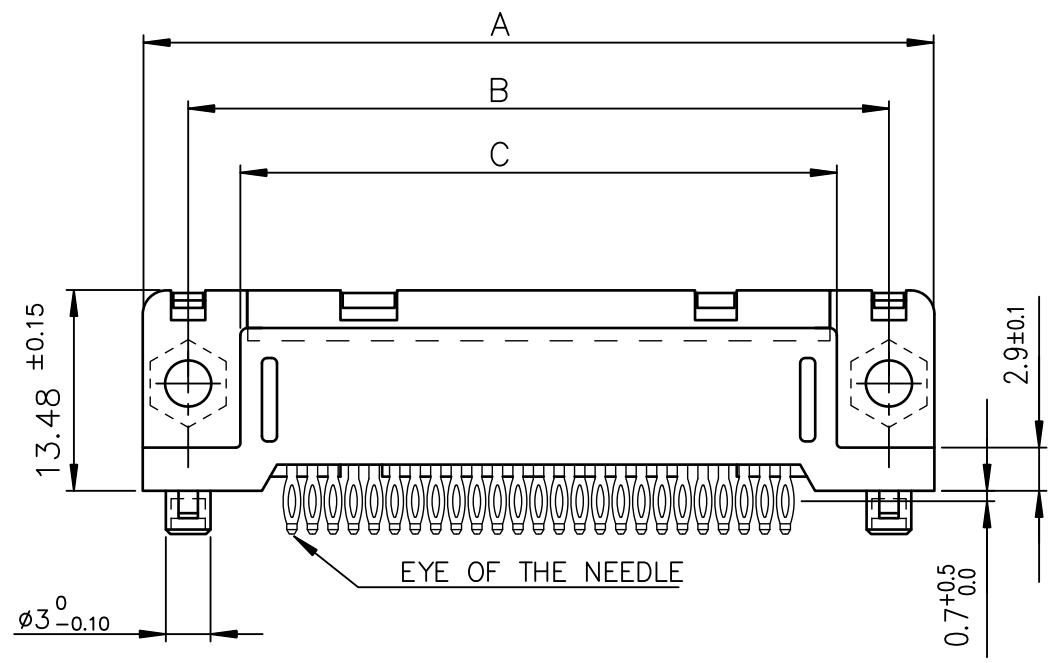




FCIconnect.com

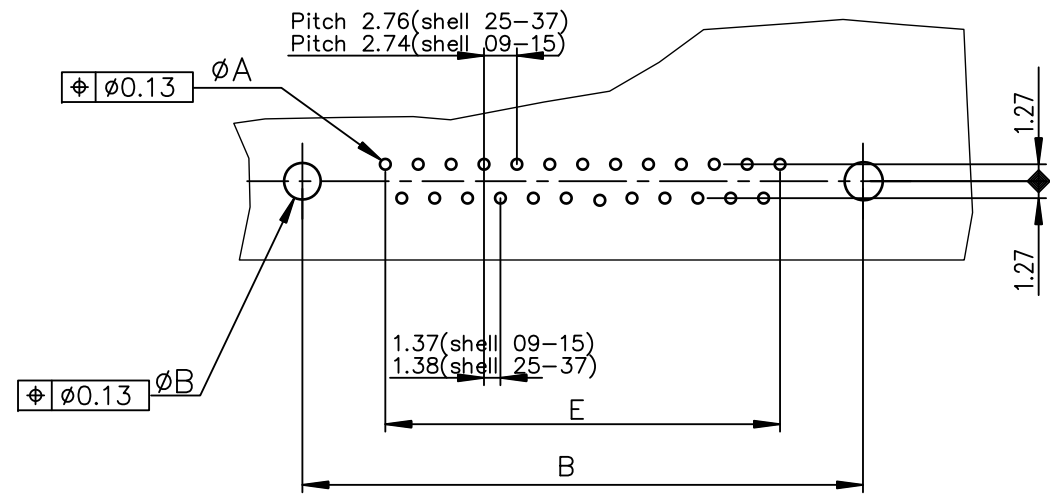
Copyright FCI

view shown without plastic pin and grounding



PC card drilling dimensions(after plating)

(thickness 1.60 ± 0.20)



SHELL	A±0.38	B±0.12	C±0.10	D +0.25	E±0.07	G	TIN LEAD PART NUMBER	TIN LEAD PART NUMBER	LEAD FREE PART NUMBER	LEAD FREE PART NUMBER
09	30.81	24.99	18.00	16.79	10.96	5.90 ± 0.15	D09P81C4GX00	D09P81C6GX00	D09P81C4GX00LF	D09P81C6GX00LF
15	39.14	33.32	26.32	25.12	19.18	5.90 ± 0.15	D15P81C4GX00	D15P81C6GX00	D15P81C4GX00LF	D15P81C6GX00LF
25	53.03	47.04	40.04	38.84	33.12	5.70 ± 0.25	D25P81C4GX00	D25P81C6GX00	D25P81C4GX00LF	D25P81C6GX00LF
37	69.32	63.50	56.50	55.30	49.68	5.70 ± 0.25	D37P81C4GX00	D37P81C6GX00	D37P81C4GX00LF	D37P81C6GX00LF
							Gold flash	0.76 μ gold	Gold flash	0.76 μ gold

GENERAL CHARACTERISTICS AND ROHS INFORMATIONS:

SEE DRAWING C01-8646-0001

mat'l. code		surface ISO 1302 ✓		tolerance ISO 406 ISO 1101		projection		product family	
-						MM		D-SUB	
ltr	ecn no	dr	date	tolerances unless otherwise specified		MM		title	
J	ELX-I-18050	MP	2014/06/23	angles	linear	MM		MALE CONNECTOR DELTA-D EUROPE	
				0°±2°		scale 2:1		RIGHT ANGLED PRESS FIT	
				dr	PESSON	1996/11/06		dwg no	sheet 1 of 1
				enr	MITHUN PAUL	2014/06/23			size
				chr	ALIAS BABU	2014/06/23		C01-8646-0513	A3
				appd	BIJU K PAUL	2014/06/23		type	Product Customer Drawing