

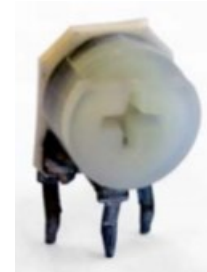
Open Type Trimmer

Model 36



Features:

- 6 mm single turn
- Open frame
- Cermet
- RoHS compliant



Model Styles Available

Top Adjust	36F
Side Adjust	36K
Side Adjust	36W
Top Adjust (2.5 mm pin spacing)	36P

Electrical

Resistance Range	100 to 1 MEG Ohms
Standard Resistance Tolerance	± 20%
Input Voltage, Maximum	100 V
Power rating, Watts	0.3 @ 70°C
End Resistance, Maximum	<500 ohms: 10 Ohms Max; > 500 ohms: 2% Max.
Actual Electrical Travel	215° ±5°
Insulation Resistance, Minimum	100 Megohms
Resolution	Essentially infinite
Contact Resistance Variation	5% Max.
Temperature Coefficient of Resistance	±250 ppm/°C

Mechanical

Mechanical Travel	240° ±20°
Rotational Torque	30 to 300 gf.cm
Weight, Approx.	0.01 oz.
Wiper Position	Approx. 50%
Mechanical Stop Strength	0.5K gf.cm Min.

General Note

TT Electronics reserves the right to make changes in product specification without notice or liability. All information is subject to TT Electronics' own data and is considered accurate at time of going to print.

TT Electronics | BI Technologies
4200 Bonita Place, Fullerton, CA USA 92835-1053 | Ph: +1 714-447-2300
www.ttelectronics.com | sensors@ttelectronics.com

Open Type Trimmer

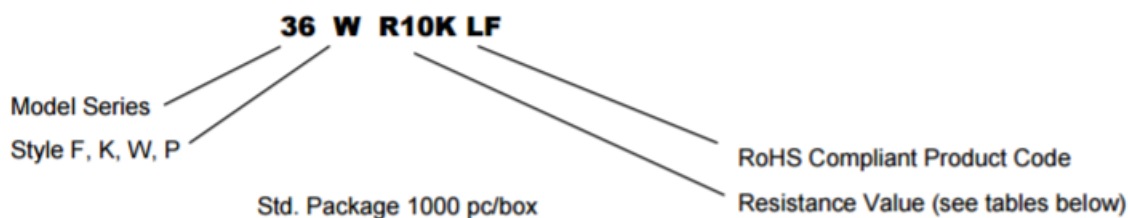
Model 36



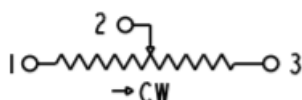
Environmental

Operating Temperature Range	-30°C to +100°C
Rotational Life, 50 Cycles	±10% DR
Load Life, 0.3W, 500 Hours, 70°C	±5% DR
Resistance to Solder Heat	260°C for 3 sec.
Aqueous cleaning not recommended	

Ordering Information



Circuit Diagram



Standard Resistance Values, Ohms

Resistance (ohms)	Part Marking
100	12
200	22
500	52
1K	13
2K	23
5K	53
10K	14
20K	24
50K	54
100K	15
200K	25
500K	55
1MEG	16

General Note

TT Electronics reserves the right to make changes in product specification without notice or liability. All information is subject to TT Electronics' own data and is considered accurate at time of going to print.

TT Electronics | BI Technologies
 4200 Bonita Place, Fullerton, CA USA 92835-1053 | Ph: +1 714-447-2300
www.ttelectronics.com | sensors@ttelectronics.com

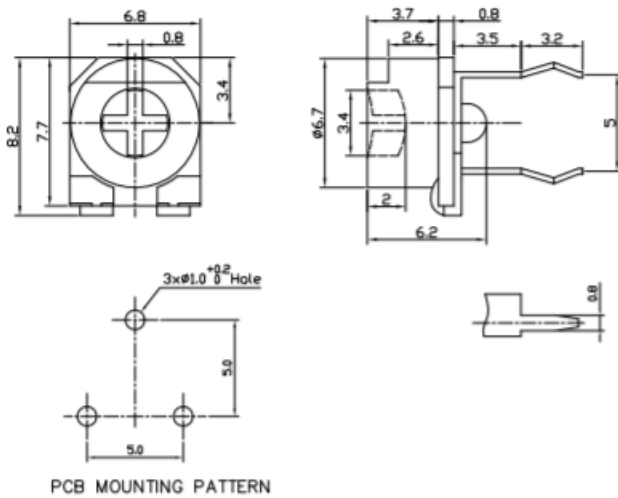
Open Type Trimmer

Model 36

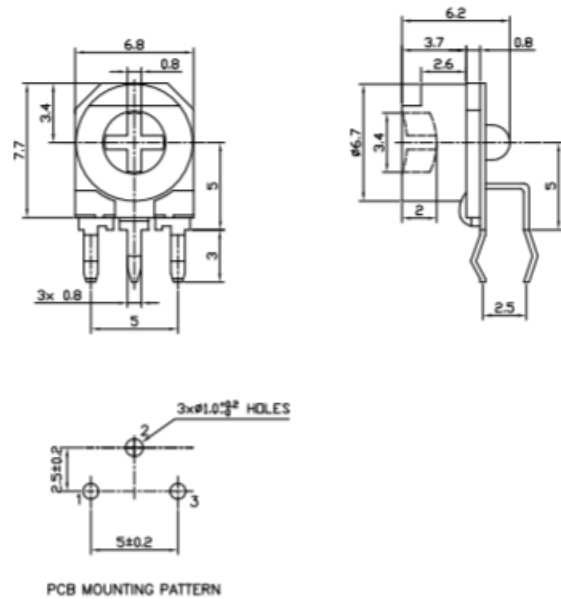


Outline Drawings

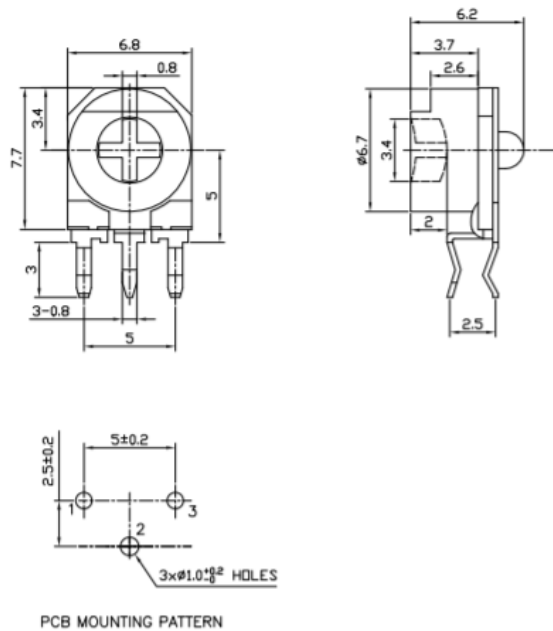
Model 36F (Top Adjust)



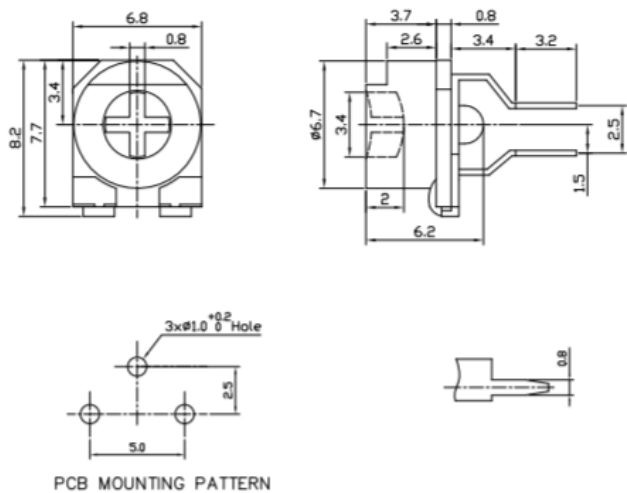
Model 36K (Side Adjust)



Model 36W (Side Adjust)



Model 36P (Top Adjust)



General Note

TT Electronics reserves the right to make changes in product specification without notice or liability. All information is subject to TT Electronics' own data and is considered accurate at time of going to print.

TT Electronics | BI Technologies
4200 Bonita Place, Fullerton, CA USA 92835-1053 | Ph: +1 714-447-2300
www.ttelectronics.com | sensors@ttelectronics.com