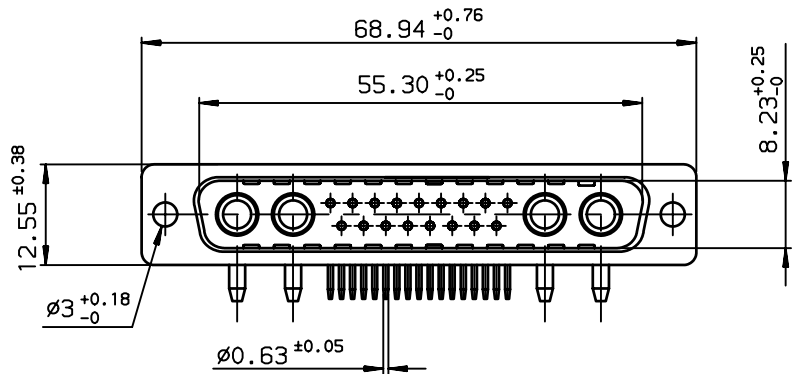
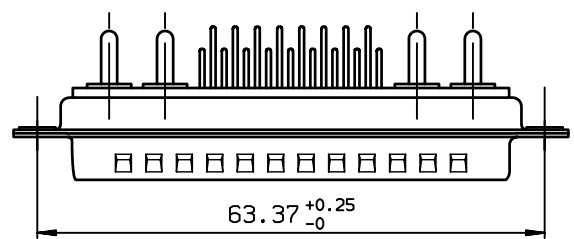


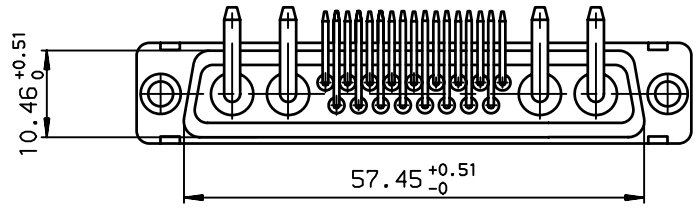
A



B

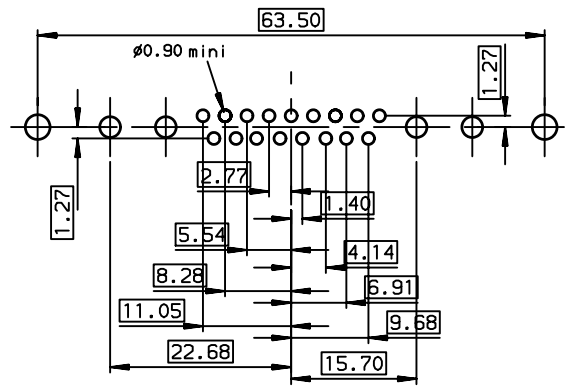


C

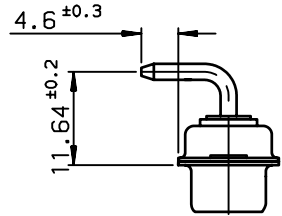


LAYOUT DIMENSIONS (after plating)
CONNECTOR SIDE VIEW

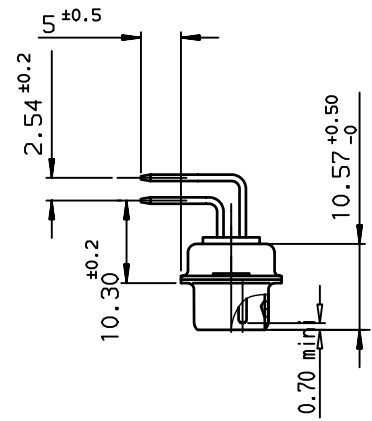
D



VIEW WITH POWERS CONTACTS



VIEW WITHOUT POWERS CONTACTS



TIN LEAD PART NUMBER

DC21WA4P500A30
DC21WA4P500A40
PART NUMBER

LEAD FREE PART NUMBER

DC21WA4P500A30LF
DC21WA4P500A40LF
PART NUMBER

GENERAL CHARACTERISTICS AND ROHS INFORMATIONS:
SEE DRAWING C01-8639-0001

European Views

www.fciconnect.com	surface	tolerance std	projection	mm
	ISO 1302	ISO 406 ISO 1101		
TOLERANCES UNLESS OTHERWISE SPECIFIED				
Dr	JARRY	2001/01/24	ANGULAR	LINEAR
Eng	PESSON	2001/01/24	0.X	±0.1
Chr	LEGARE	2001/01/24	0.XX	±0.1
Appr	LEGARE	2001/01/24	0.XXX	±0.1
Product family			D-SUB	Spec ref -
PINS CONNECTORS RIGHT ANGLED WITH POWERS CONTACTS				title C01-8639-1845 dwg no
catalog no				CUSTOMER
				sheet 1 of 1

rev	ecn no	dr	date
B	-	DEB	2003/10/01
C	LS05-001	MPE	2005/03/09
D	LS06-0095	LGO	2006/06/28
-	-	-	-
-	-	-	-
-	-	-	-
-	-	-	-



Copyright FCI.