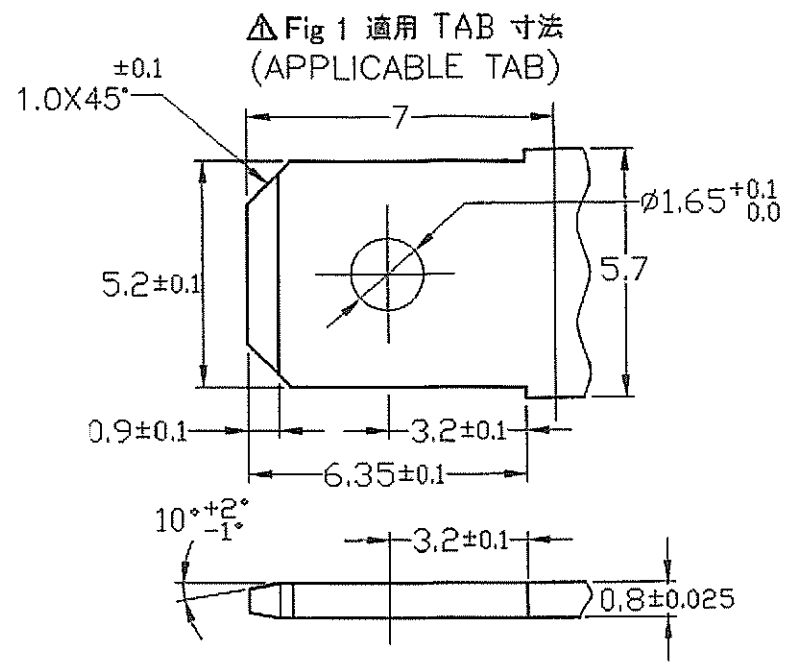
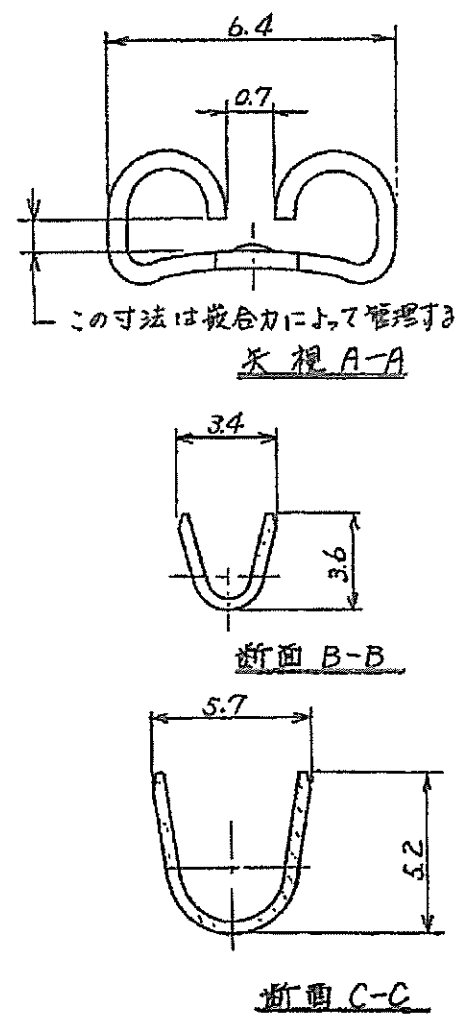
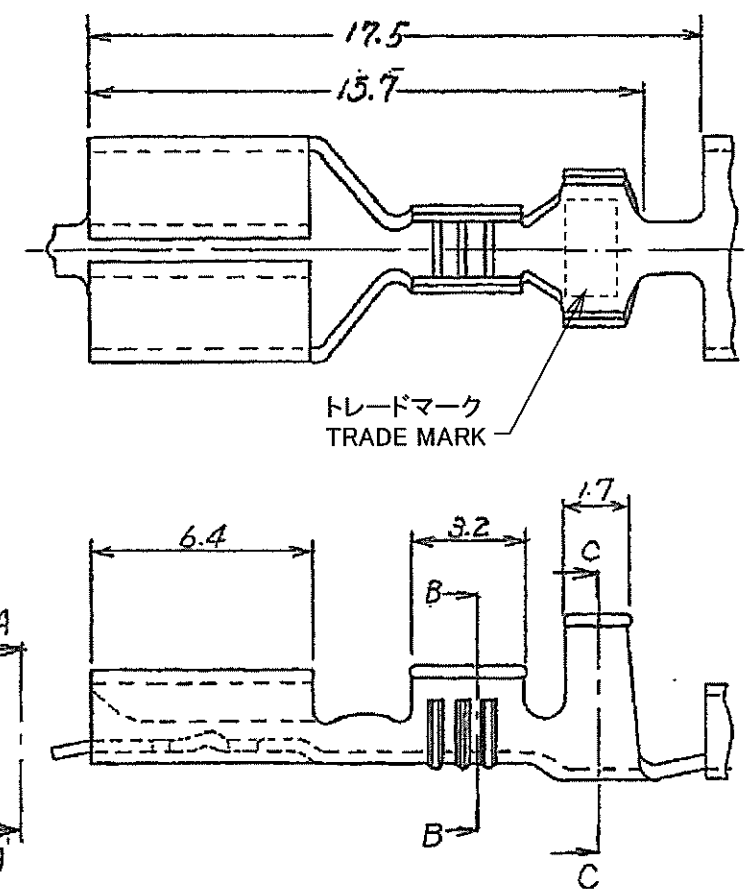


THIS DRAWING IS UNPUBLISHED. RELEASED FOR PUBLICATION .1974.  
 © COPYRIGHT BY TYCO ELECTRONICS CORPORATION. ALL RIGHTS RESERVED.

LOC	DIST	REVISIONS					
		P	LTR	DESCRIPTION	DATE	DWN	APVD
J	-	C		REVISED ECR-07-011381	18MAY'07	J.S	S.M



注.  
 △. 適用 TAB 寸法については Fig 1 を参照のこと。  
 △. ストレス除去処理  
 処理法により外観が変化する。  
 不活性ガス加熱方式……無光沢  
 大気加熱方式………光沢

NOTES  
 △. FOR APPLICABLE TAB, SEE Fig 1.  
 △. STRESS RELIEVING  
 FINISH IS SUBJECT TO CHANGE BY THE TYPE OF  
 STRESS RELIEVING PROCESS  
 INERT GAS FURNACE ----- MATTE  
 ATMOSPHERIC FURNACE FOLLOWED BY ACID PICKLE ----- BRIGHT

170179-2	170180-2	黄銅 0.4t	電気鍍め	108-5007
170179-1	170180-1	黄銅 0.4t	---	108-5007
型番	LP型番	材質	仕上	製品規格番号

THIS DRAWING IS A CONTROLLED DOCUMENT FOR AMP INCORPORATED IT IS SUBJECT TO CHANGE AND THE CONTROLLING ENGINEERING ORGANIZATION SHOULD BE CONTACTED FOR THE LATEST REVISION.		DWN T. Nataro 16 JUL '96	Tyco Electronics Kawasaki, Japan	
DIMENSIONS: 單位: 毫 mm	TOLERANCES UNLESS OTHERWISE SPECIFIED: 一般公差 10% : ±0.2 20% : ±0.25 30% : ±0.3 100% : ±0.35 HOLE : ±0.4 ±1°	CHK Sh. Sugita '8-JUL-96 APVD Atsuko PRODUCT SPEC 表参照 (SEE TABLE) APPLICATION SPEC 取付適用規格	NAME "205" SERIES FASTON RECEPTACLE "205"シリーズファストンリセプタクル	
MATERIAL 材料 表参照 (SEE TABLE)	FINISH 仕上 表参照 (SEE TABLE)	WEIGHT -	SIZE A3	CAGE CODE 00779
CUSTOMER DRAWING			DRAWING NO C-170179	RESTRICTED TO -
			SCALE 尺度 -	SHEET 1 OF 1
				REV C