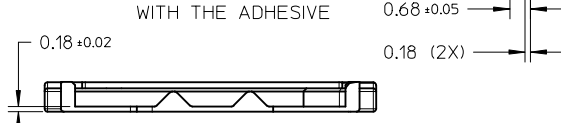
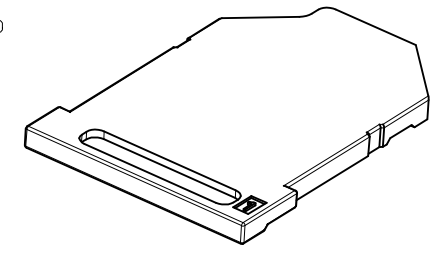
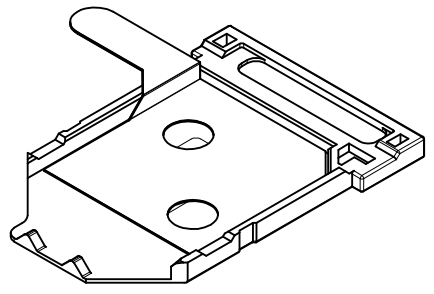
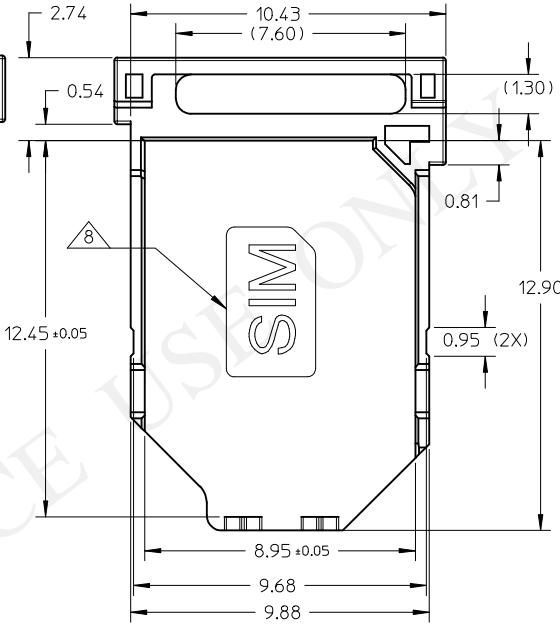
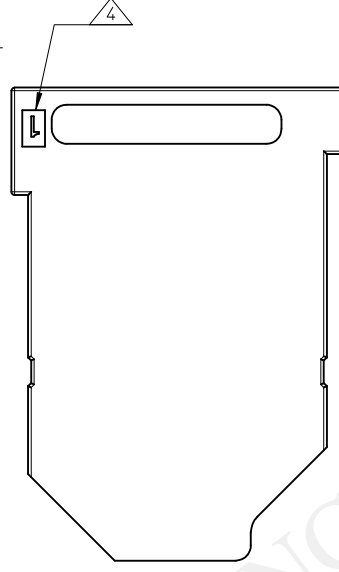
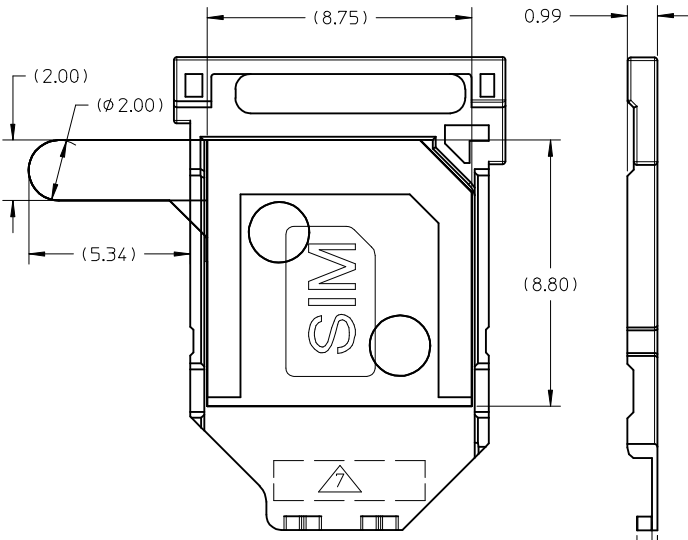
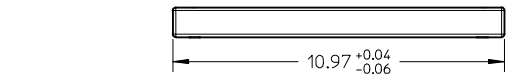


THIS DESIGN IS BASED ON DESIGN OBJECTIVES AND IS STRICTLY TENTATIVE. IT MAY CHANGE BASED ON RESULTS OF ADDITIONAL DESIGN REVIEWS & VERIFICATIONS.

- NOTES:
1. MATERIALS:
POM, HB, BLACK
 2. PACKAGING SPECIFICATION: PK-151073-0002
 3. TRAY TO BE USED TOGETHER WITH MOLEX CONNECTOR (P/NO.:151073-0001/1000) ONLY.
4. CAVITY NO. LOCATION.
5. ALL WARPAGE: 0.25MM MAX.
6. UNLESS OTHERWISE SPECIFIED, FLASHES & MISMATCH SHALL NOT EXCEED 0.10MM.
7. LOCATION OF INK-MARKED DATECODE.
8. LOCATION OF LASER-MARKED SIM ICON.

RELEASED EC NO: S2015-1050 U DRWNS:SCHEONG 2015/03/19 CHKD:GMENARLY 2015/05/18 APPR:KHLIM 2015/05/18	DESCRIPTION REV	QUALITY SYMBOLS	GENERAL TOLERANCES (UNLESS SPECIFIED)		DIMENSION STYLE		SCALE	DESIGN UNITS	THIRD ANGLE PROJECTION			
		$\nabla_A = 0$ $\nabla_C = 0$ $\nabla_P = 0$	mm	INCH	MM ONLY		NTS	METRIC				
		4 PLACES ± --- ± --- 3 PLACES ± --- ± --- 2 PLACES ± 0.10 ± --- 1 PLACE ± --- ± --- 0 PLACE ± --- ± ---	ANGULAR ± 1 °		DRAWN BY	DATE	TITLE		TRAY FOR 1.32MM HT NANO SIM CONNECTOR WITH DETECT PIN molex			
		DRAFT WHERE APPLICABLE MUST REMAIN WITHIN DIMENSIONS		151073-0011	2014/07/16	SD-151073-0002						
		SIZE	THIS DRAWING CONTAINS INFORMATION THAT IS PROPRIETARY TO MOLEX INCORPORATED AND SHOULD NOT BE USED WITHOUT WRITTEN PERMISSION									

TRAY WITH TAPE P/N	ADHESIVE P/N
151073-0033	151073-0035



WITHOUT THE ADHESIVE

NOTES:

- MATERIALS:
TRAY: POM, HB, COOL GRAY 8U
ADHESIVE: SEKISUI 3805BS, 0.05MM, BLACK
- PACKAGING SPECIFICATION: PK-151073-0002
- TRAY TO BE USED TOGETHER WITH MOLEX CONNECTOR (P/NO.:151073-0001/1000) ONLY.
- △ CAVITY NO. LOCATION.
- ALL WARPAGE: 0.25MM MAX.
- UNLESS OTHERWISE SPECIFIED, FLASHES & MISMATCH SHALL NOT EXCEED 0.10MM.
- △ LOCATION OF LASER-MARKED DATECODE.
- △ LOCATION OF LASER-MARKED SIM ICON, WITHOUT LASER THE LETTERS.
- △ ADHESIVE TAPE COVERED WITH RELEASE PAPER. SEE SD-151073-0008 FOR DETAILS ON ADHESIE TAPE.
- THE TRAY SHOULD NOT BE USED WITH SIM CUTTING CARD (0.76-0.84 THICKNESS)

THIS DESIGN IS BASED ON DESIGN OBJECTIVES AND IS STRICTLY TENTATIVE. IT MAY CHANGE BASED ON RESULTS OF ADDITIONAL DESIGN REVIEWS & VERIFICATIONS.

RELEASED EC NO: S2016-0054 DRWN: SCHEONG 2015/07/02 CHKD: APPR: SCHEONG 2015/07/14	QUALITY SYMBOLS	GENERAL TOLERANCES (UNLESS SPECIFIED)		DIMENSION STYLE MM ONLY		SCALE NTS	DESIGN UNITS METRIC	THIRD ANGLE PROJECTION
	$F_A=0$	mm	INCH	DRAWN BY SCHEONG	DATE 2015/04/23	TITLE TRAY, SLOT FINGER ACCESS NANO SIM CONNECTOR WITH DETECT PIN		
	$F_G=0$	4 PLACES ± --- ± ---	3 PLACES ± --- ± ---	CHECKED BY	DATE			
	$F_P=0$	2 PLACES ± 0.10 ± ---	1 PLACE ± --- ± ---	APPROVED BY SCHEONG	DATE 2015/04/24			
	0 PLACE ± --- ± ---	ANGULAR ± 1 °		MATERIAL NO. 151073-0033		DOCUMENT NO. SD-151073-0007	SHEET NO. 1 OF 1	
	DRAFT WHERE APPLICABLE MUST REMAIN WITHIN DIMENSIONS		THIS DRAWING CONTAINS INFORMATION THAT IS PROPRIETARY TO MOLEX INCORPORATED AND SHOULD NOT BE USED WITHOUT WRITTEN PERMISSION					