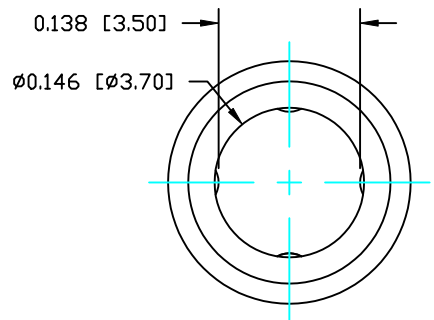
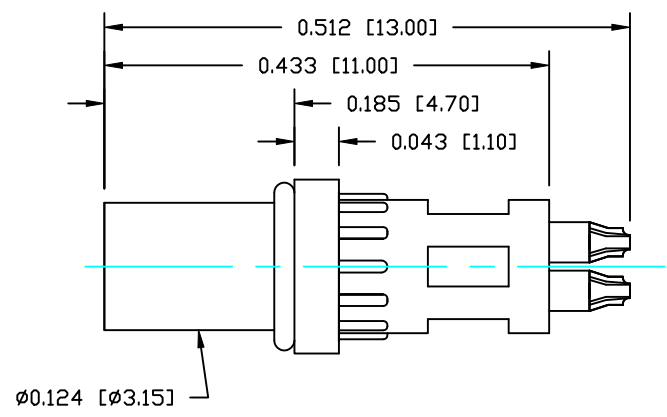
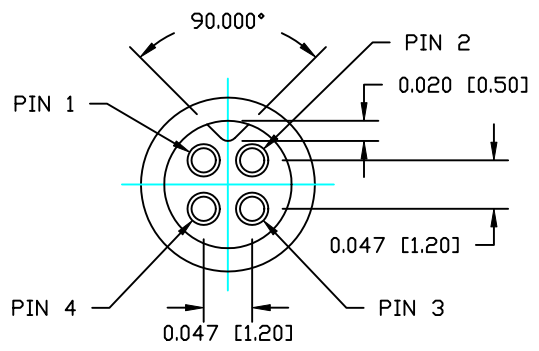
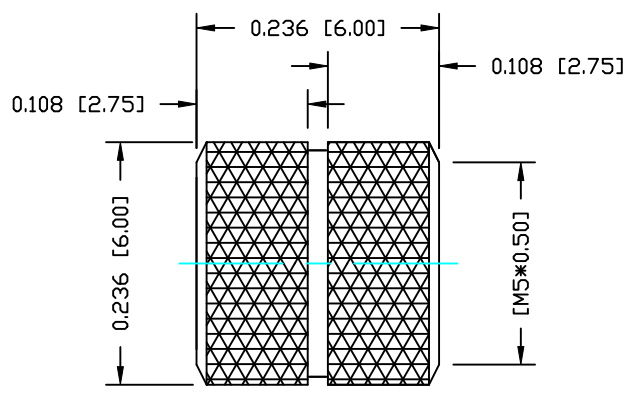


DESCRIPTION: M5 FEMALE - CABLE MOUNT - SOLDER CUP - 4 POSITION



NUT

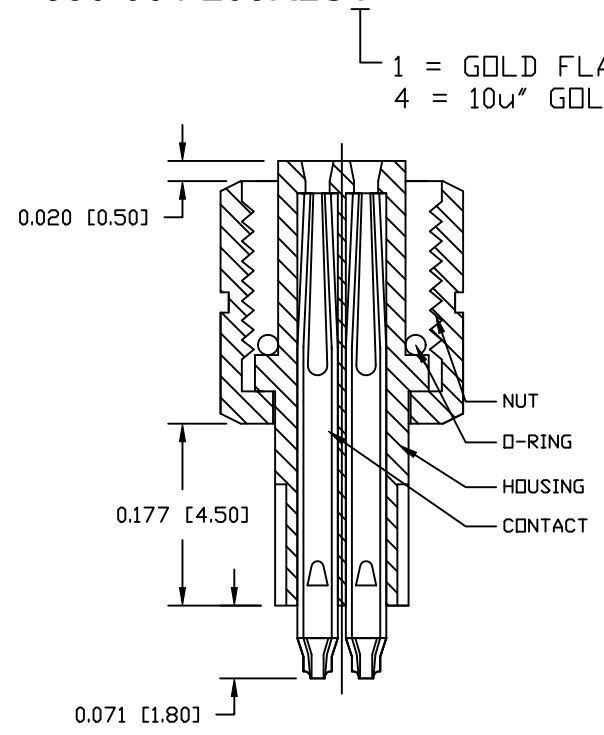


NOTE:

MATERIAL	
HOUSING:	TPU, BLACK
CONTACT:	PHOSPHOR BRONZE
NUT:	BRASS
O-RING:	NBR, BLACK
FINISH	
CONTACT:	GOLD PLATED OVER 50μ NICKEL SATIN NICKEL
ELECTRICAL	
RATED CURRENT:	1A
RATED VOLTAGE:	60V
INSULATION RESISTANCE:	100 mΩhms MIN.
CONTACT RESISTANCE:	10 MΩhms MAX.
WATER PROOF:	IP67
ENVIRONMENT	
OPERATION TEMPERATURE:	-40°C TO +85°C
WIRE GAUGE:	26-28 AWG

850-004-203RLUY

1 = GOLD FLASH
4 = 10μ" GOLD



RoHS COMPLIANT

DO NOT SCALE FROM DRAWING



THESE DRAWINGS AND SPECIFICATIONS ARE THE PROPERTY OF NorComp AND SHALL NOT BE REPRODUCED, COPIED OR USED AS THE BASIS FOR THE MANUFACTURE OR SALE OF APPARATUS WITHOUT WRITTEN PERMISSION.

DRAWN:	M.SIGMON	DATE:	03-04-16
CHECKED:		DATE:	

NorComp

SCALE:	NTS	SHEET	1	OF	1	REV	1
DWG NO.	850-004-203RLUY						