

Sealed

→ 83 123

- IP 66 protection
- Compact dimensions



Main specifications

	Standard 83 123 0	Spherical cover 83 123 0
Function		
I (changeover)	●	●
Connections		
A05 VVF cable		
Electrical characteristics		
Rating nominal / 250 V AC (A)	5	5
Rating thermal / 250 V AC (A)	12	12
Mechanical characteristics		
Maximum operating force (N)	7.5	7.5
Min. Release force (N)	1.5	1.5
Maximum total travel force (N)	8	8
Max. permitted overtravel force (N)	30	30
Tripping point (mm)	11,4 ^{±0.4}	16,5 ^{±0.5}
Maximum differential travel (mm)	0.2	0.25
Min. overtravel (mm)	0.25	0.2
Ambient operating temperature (°C)	0 → +85	0 → +85
Mechanical life (operations)	2 x 10 ⁶	2 x 10 ⁶
Contact gap (mm)	0.5	0.5
Weight (g)	45	50
Connections		
Connection	Cable 3 x 0.75 mm ² in sheath Ø ext. 7.6 mm max. Standard length 0.50 m	Cable 3 x 0.75 mm ² in sheath Ø ext. 7.6 mm max. Standard length 0.50 m
Comments		
Common (1) : black		
Normally closed (2) : brown		
Normally open (4) : grey		

Additional specifications

Components

Material

- Casing : nitrile
- Contacts : silver
- Contact holder : polyamide
- Mounting plate : passivated mild steel (zinc)

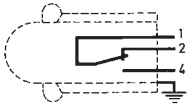
Product adaptations



- Special casing, leads, cables for specific environment

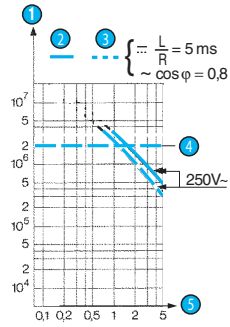
Principles

Double break changeover switch



Curves

Operating curve

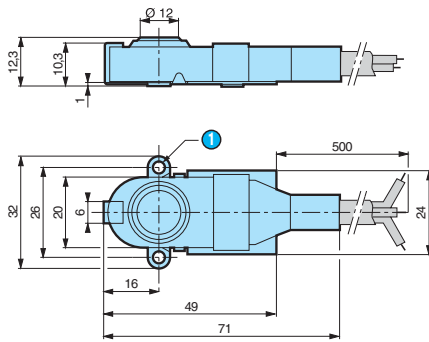


- ① Number of cycles
- ② Resistive circuit
- ③ Inductive circuit
- ④ Mechanical life limit
- ⑤ Current in Amps

Dimensions

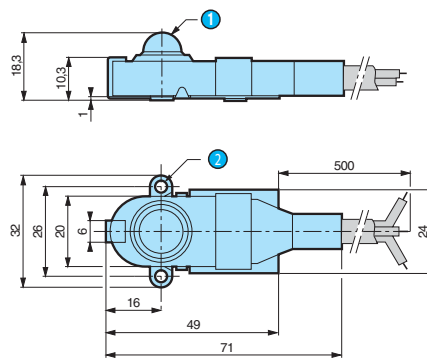
→ Product

83 123 Standard



- ① 2 holes Ø 3.2

83 123 Spherical cover



- ① R6 spherical
- ② 2 holes Ø 3.2

Other information

Mounting - Operation

In order to comply with basic safety requirements, an insulator must be used if the device is being operated manually. One of the fixing holes must be used as a protective earth.