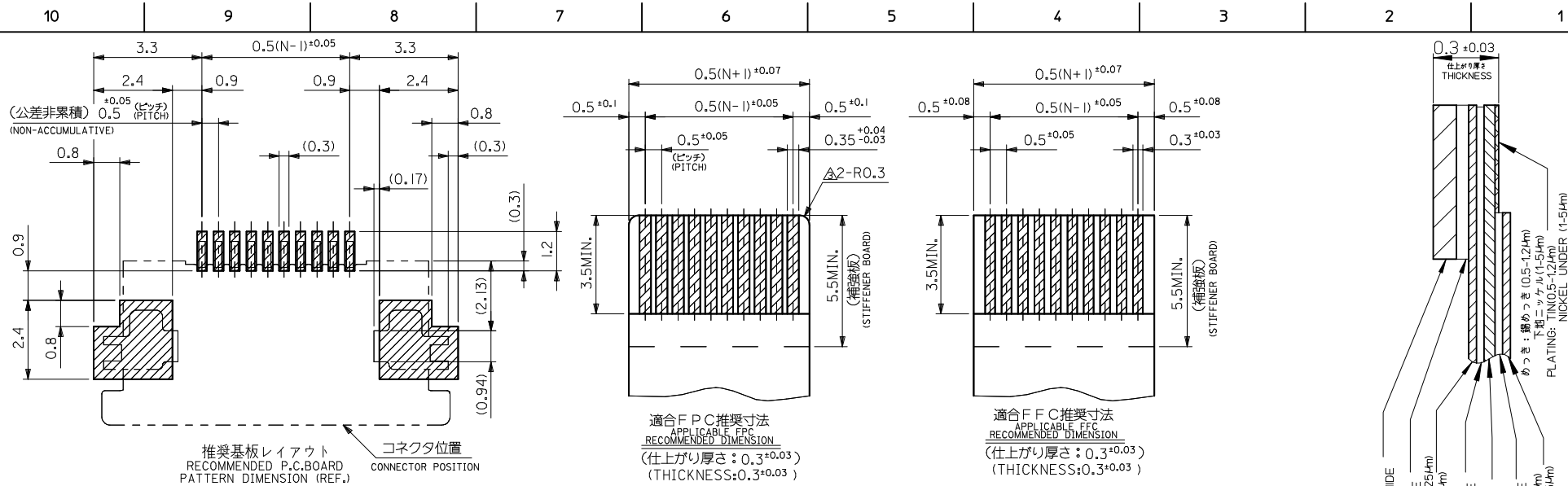


| | | | | | |
|------|------|-------|------|------------------|------|
| 30.5 | 29.3 | 25.65 | 24.5 | 54104-5033 | 50 |
| 28.5 | 27.3 | 23.65 | 22.5 | 54104-4633 | 46 |
| 28.0 | 26.8 | 23.15 | 22.0 | 54104-4533 | 45 |
| 25.5 | 24.3 | 20.65 | 19.5 | 54104-4033 | 40 |
| 24.5 | 23.3 | 19.65 | 18.5 | 54104-3833 | 38 |
| 23.5 | 22.3 | 18.65 | 17.5 | 54104-3633 | 36 |
| 23.0 | 21.8 | 18.15 | 17.0 | 54104-3533 | 35 |
| 22.5 | 21.3 | 17.65 | 16.5 | 54104-3433 | 34 |
| 22.0 | 20.8 | 17.15 | 16.0 | 54104-3333 | 33 |
| 21.5 | 20.3 | 16.65 | 15.5 | 54104-3233 | 32 |
| 20.5 | 19.3 | 15.65 | 14.5 | 54104-3033 | 30 |
| D | C | B | A | オーダー番号 ORDER NO. | CKT. |

CONNECTOR SERIES NO. 54104-**22

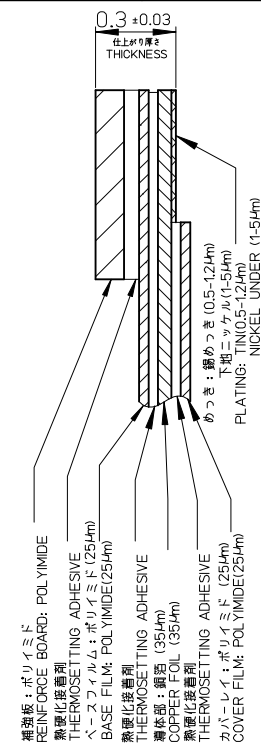
| | | | | | | |
|---|--|--|----------------------|---|--------------|---|
| REVISED EC NO: J2014-1557 DRW: AISHII 2014/04/15 CHK: KAKAHASHI 2014/04/15 APPR: YNOGAWA 2014/04/17 | GENERAL TOLERANCES (UNLESS SPECIFIED) | | DIMENSION STYLE | SCALE | DESIGN UNITS | THIRD ANGLE PROJECTION 0.5MM FPC CONN ZIF R/A HOUSING ASSY (UPPER CONTACT) molex DOCUMENT NO. SD-54104-083 SHEET NO. 1 OF 2 |
| | 10 UNDER ±0.2 | | MM ONLY | --- | METRIC | |
| | 10 OVER 30 UNDER ±0.25 | | DRAWN BY DATE | TITLE | | |
| | 30 OVER ±0.3 | | CHECKED BY DATE | 0.5MM FPC CONN ZIF R/A HOUSING ASSY (UPPER CONTACT) | | |
| DESCRIPTION REV | ANGULAR ±---° | | APPROVED BY DATE | MATERIAL NO. | | |
| | DRAFT WHERE APPLICABLE MUST REMAIN WITHIN DIMENSIONS | | KMORIKAWA 2013/03/15 | SEE CHART | | |
| | | | SIZE | THIS DRAWING CONTAINS INFORMATION THAT IS PROPRIETARY TO MOLEX INCORPORATED AND SHOULD NOT BE USED WITHOUT WRITTEN PERMISSION | | |



推奨基板レイアウト
RECOMMENDED P.C.BOARD
PATTERN DIMENSION (REF.)
(マウント面)
(MOUNTING SIDE)
マスク厚 : 100 μm
マスク開口率 : 100%
SCREEN THICKNESS : 100 MICROMETER
SCREEN OPEN RATIO : 100%

適FPC推奨寸法
APPLICABLE FPC
RECOMMENDED DIMENSION
(仕上がり厚さ : 0.3±0.03)
(THICKNESS: 0.3±0.03)

適FFC推奨寸法
APPLICABLE FFC
RECOMMENDED DIMENSION
(仕上がり厚さ : 0.3±0.03)
(THICKNESS: 0.3±0.03)



FPC構成推奨仕様
STRUCTURE OF FPC

FPC/FFCについて ABOUT FPC/FFC
打ち抜き方向は導体側から補強板側を推奨します。
導体部については軟烙銅35 μmまたは50 μmを推奨します。
RECOMMENDED PUNCHING DIRECTION: FROM CONDUCTOR SIDE TO STIFFENER SIDE
RECOMMENDED CONDUCTOR SPEC: SOFT COPPER FOIL
RECOMMENDED CONDUCTOR THICKNESS: 35 MICROMETER OR 50 MICROMETER

FPCについてABOUT FPC
補強フィルム材質はポリイミドを推奨します。ベースフィルムは25 μmを推奨します。
接着剤は熱硬化接着剤を推奨します。
尚、接着剤の接点部への付着は導通不良の原因になりますので、染み出しが無い様、お願い致します。
RECOMMENDED STIFFENER MATERIAL: POLYIMIDE
RECOMMENDED BASE FILM THICKNESS: 25 MICROMETER
RECOMMENDED ADHESIVE: THERMOSETTING ADHESIVE
NOTE: PLEASE PUT APPROPRIATE AMOUNT OF ADHESIVE ON ADHEREND BECAUSE THERE IS A POSSIBILITY THAT THE EXTRA ADHESIVE CAUSES THE DEFECT IN ELECTRICAL CONTINUITY.

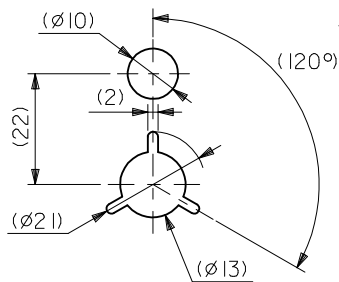
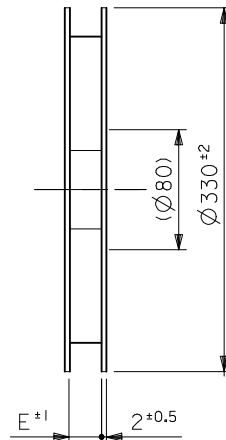
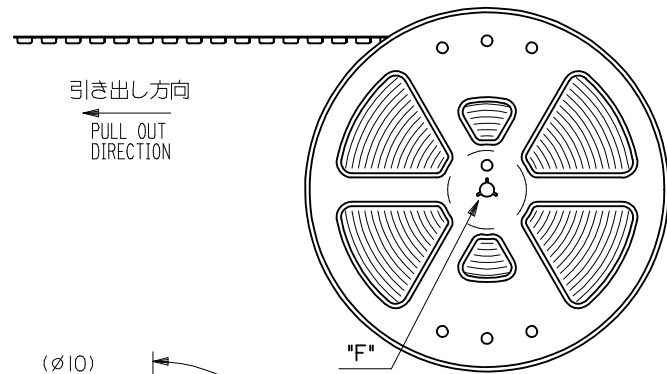
注記 NOTES

- 材質 MATERIAL
ハウジング: ポリアミド (PPS), ガラス充填, ナチュラル(白色), UL94V-0
HOUSING: POLYAMIDE, GLASS FILLED, NATURAL(WHITE), UL94V-0
アクチュエータ: ポリフェニレンスルフィド, ガラス充填, ナチュラル(茶色), UL94V-0
ACTUATOR: POLYPHENYLENE SULFIDE, GLASS FILLED, NATURAL(BROWN), UL94V-0
ターミナル: リン青銅 (t = 0.20)
TERMINAL: PHOSPHOR BRONZE (t = 0.20)
金具: リン青銅 (t = 0.2)
NAIL: PHOSPHOR BRONZE (t = 0.2)
- メッキ仕様 PLATING
ターミナル TERMINAL
鍍銀ピスマスメッキ(1.0 μm以上)
TIN SILVER BISMUTH PLATING(1.0 MICROMETER MINIMUM)
下地メッキ: ニッケルメッキ(1.0 μm以上)
UNDER PLATING: NICKEL PLATING(1.0 MICROMETER MINIMUM)
金具
鍍メッキ(1.0 μm以上)
TIN PLATING(1.0 MICROMETER MINIMUM)
下地メッキ: ニッケルメッキ(1.0 μm以上)
UNDER PLATING: NICKEL PLATING(1.0 MICROMETER MINIMUM)
- RO.3はFPCの導体部にかからないこと
RO.3 MUST NOT BE OVERLAPED TO PATTERN OF FPC.
- 偶数極に適用
APPLY FOR EVEN CIRCUIT
- エンボステーパ開放時は、アクチュエータがロックした状態とする。
IN THE PACKAGE, ACTUATOR SHOULD BE LOCKED.
- ソルダーテール半田付け面のズレ量、及び金具半田付け面のズレ量は、基準面 \square に対し、
上方0.1MAX、下方0.15MAXとし、相互のバラツキ量は0.1MAXとする
MISALIGNMENT OF SOLDER TAILS AND FITTING NAILS FROM \square UPPER DIRECTION: 0.1MAX,
LOWER DIRECTION: 0.15MAX. OFFSET BETWEEN UPPER AND LOWER 0.1MAX
- ソルダーテール及び金具の平坦度は、0.1mmメートル以下とする。
SOLDER TAIL AND FITTING NAIL COPLANARITY TO BE 0.1MILLIMETERS.
- 本製品は54104シリーズの鍍銀ピスマスめっき品である。
THIS PRODUCT IS Sn-Ag-Bi PLATING OF 54104 SERIES.
- ELV及びRoHS適合品
ELV & RoHS COMPLIANT

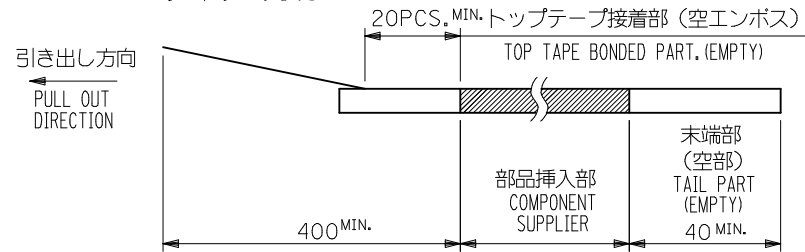
| | | | | | | | | |
|---|--|--|----------------------------|--------------------|--|------------------------|---------------------------|--|
| SEE SHEET 1 OF 2 EC NO: J2014-1557 DRW: AISHI 2014/04/15 CHKD: KAKAHASHI 2014/04/15 APPR: YOGAWA 2014/04/17 | GENERAL TOLERANCES (UNLESS SPECIFIED) | | DIMENSION STYLE MM ONLY | | SCALE --- | DESIGN UNITS METRIC | THIRD ANGLE PROJECTION | |
| | 10 UNDER | ±0.2 | DRAWN BY KNAGUMO | DATE 2012/09/03 | TITLE 0.5MM FPC CONN ZIF R/A HOUSING ASSY (UPPER CONTACT) | | | |
| | 10 OVER 30 UNDER | ±0.25 | CHECKED BY KTAKAHASHI | DATE 2012/09/06 | | | | |
| | 30 OVER | ±0.3 | APPROVED BY KMORIKAWA | DATE 2013/03/15 | molex DOCUMENT NO. SD-54104-083 SHEET NO. 2 OF 2 | | | |
| | ANGULAR ±---° | | MATERIAL NO. | | | | | |
| DRAFT WHERE APPLICABLE MUST REMAIN WITHIN DIMENSIONS | | SEE CHART | | | | | | |
| SIZE A3 | | THIS DRAWING CONTAINS INFORMATION THAT IS PROPRIETARY TO MOLEX INCORPORATED AND SHOULD NOT BE USED WITHOUT WRITTEN PERMISSION | | | | | | |

NOTES

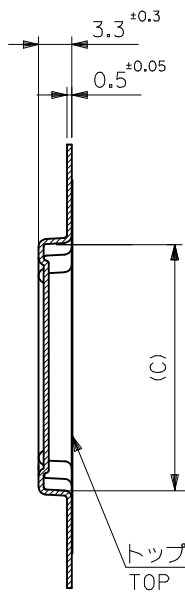
- 製品番号54104-**22の梱包状態はアクチュエータがロックした状態とする。
詳細寸法については図面SD-54104-083を参照下さい。
IN THE PACKAGE, ACTUATOR OF PART NO.54104-**22 SHOULD BE LOCKED
DETAIL DIMENSIONS, SEE SD-54104-083
- 梱包数量：1500個/リール
NUMBER OF CONNECTORS : 1500PCS/REEL
- リードテープ長さ LEAD TAPE LENGTH
20PCS. MIN. トップテープ接着部 (空エンボス)
TOP TAPE BONDED PART. (EMPTY)
- トップテープの剥離強度については、IEC60286-3に準拠
TOP TAPE PEEL FORCE IS DEFINED BY IEC60286-3.
- 材料
キャリアテープ：ポリプロピレン
トップテープ：PET, PE, PEF
リール：ポリスチレン (PE) <リサイクル材を含む>
MATERIAL
CARRIERTAPE : POLYPROPYLENE
TOPTAPE : PET, PE, PEF
REEL : POLYSTYREN (PE) <RECYCLE MATERIAL CONTAINED>
- ELV及びRoHS適合品
ELV AND RoHS COMPLIANT



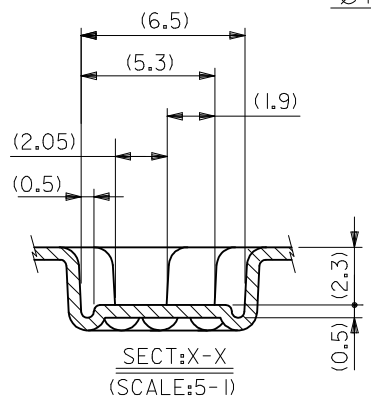
DETAIL "F"



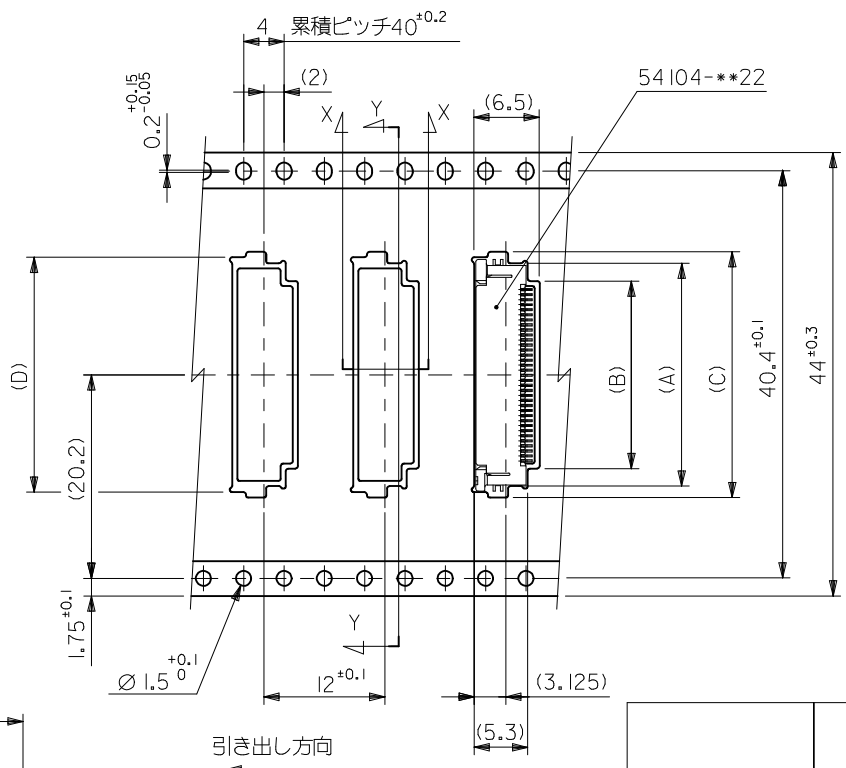
| | | | | | | | | | | |
|---|-----------------------|--|-------|----------------------------|--------------------|---|------------------------|------------------------|--|--|
| RELEASED EC NO: J2013-1003 DRWN:KNAGUMO 2012/09/05 CHKD:KAKAHASHI 2012/09/06 APP:KMORIKAWA 2013/03/15 | DESCRIPTION REV: 0 | GENERAL TOLERANCES (UNLESS SPECIFIED) | | DIMENSION STYLE MM ONLY | | SCALE --- | DESIGN UNITS METRIC | THIRD ANGLE PROJECTION | | |
| | | 10 UNDER | ± --- | DRAWN BY KNAGUMO | DATE 2012/09/05 | TITLE EMBOSS TAPE PACKAGED FOR 0.5MM FPC CONN ZIF R/A HOUSING ASSY | | | | |
| | | 10 OVER 30 UNDER | ± --- | CHECKED BY KAKAHASHI | DATE 2012/09/06 | | | | | |
| | | 30 OVER | ± --- | APPROVED BY KMORIKAWA | DATE 2013/03/15 | | | | | |
| ANGULAR ± --- ° | | DRAFT WHERE APPLICABLE MUST REMAIN WITHIN DIMENSIONS | | MATERIAL NO. SEE CHART | | DOCUMENT NO. SD-54104-084 | | SHEET NO. 1 OF 2 | | |
| SIZE A3 THIS DRAWING CONTAINS INFORMATION THAT IS PROPRIETARY TO MOLEX INCORPORATED AND SHOULD NOT BE USED WITHOUT WRITTEN PERMISSION | | | | | | | | | | |



SECT:Y-Y



SECT:X-X
(SCALE:5-1)



| | | | | | | | | |
|--------------------------------|------|------|------|------------|------|------------|----------------------|------------|
| 44 | 45.5 | 30.8 | 31.9 | 26.1 | 29.6 | 54104-5033 | 50 | |
| | | 28.8 | 29.9 | 24.1 | 27.6 | -4633 | 46 | |
| | | 28.3 | 29.4 | 23.6 | 27.1 | -4533 | 45 | |
| | | 25.8 | 26.9 | 21.1 | 24.6 | -4033 | 40 | |
| | | 24.8 | 25.9 | 20.1 | 23.6 | -3833 | 38 | |
| | | 23.8 | 24.9 | 19.1 | 22.6 | -3633 | 36 | |
| | | 23.3 | 24.4 | 18.6 | 22.1 | -3533 | 35 | |
| | | 22.8 | 23.9 | 18.1 | 21.6 | -3433 | 34 | |
| | | 22.3 | 23.4 | 17.6 | 21.1 | -3333 | 33 | |
| | | 21.8 | 22.9 | 17.1 | 20.6 | -3233 | 32 | |
| 20.8 | 21.9 | 16.1 | 19.6 | 54104-3033 | 30 | | | |
| キャリアテープ幅 CARRIER TAPE WIDTH | | E | D | C | B | A | 製品番号 MATERIAL NO. | 極数 CKT. |

| | | | | | | | |
|---|--|------------|--|--------------------|--|------------------------|---------------------------|
| SEE SHEET 1 OF 2 EC NO: J2013-1003 DRWN:KNAGUMO 2012/09/05 CHKD:KTAKAHASHI 2012/09/06 APPR:KMORIKAWA 2013/03/15 | GENERAL TOLERANCES (UNLESS SPECIFIED) | | DIMENSION STYLE MM ONLY | | SCALE --- | DESIGN UNITS METRIC | THIRD ANGLE PROJECTION |
| | 10 UNDER | ± --- | DRAWN BY KNAGUMO | DATE 2012/09/05 | TITLE EMBOSS TAPE PACKAGED FOR 0.5MM FPC CONN ZIF R/A HOUSING ASSY molex DOCUMENT NO. SD-54104-084 SHEET NO. 2 OF 2 | | |
| | 10 OVER 30 UNDER | ± --- | CHECKED BY KTAKAHASHI | DATE 2012/09/06 | | | |
| | 30 OVER | ± --- | APPROVED BY KMORIKAWA | DATE 2013/03/15 | | | |
| | ANGULAR ± --- ° | | MATERIAL NO. | | | | |
| DRAFT WHERE APPLICABLE MUST REMAIN WITHIN DIMENSIONS | | SEE CHART | | | | | |
| 0 | REV | SIZE A3 | THIS DRAWING CONTAINS INFORMATION THAT IS PROPRIETARY TO MOLEX INCORPORATED AND SHOULD NOT BE USED WITHOUT WRITTEN PERMISSION | | | | |