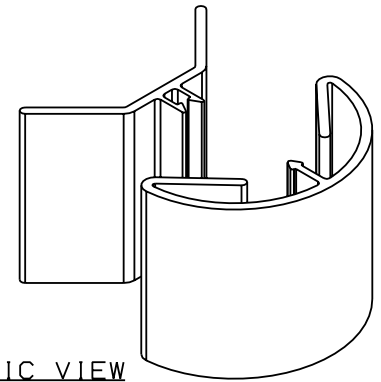
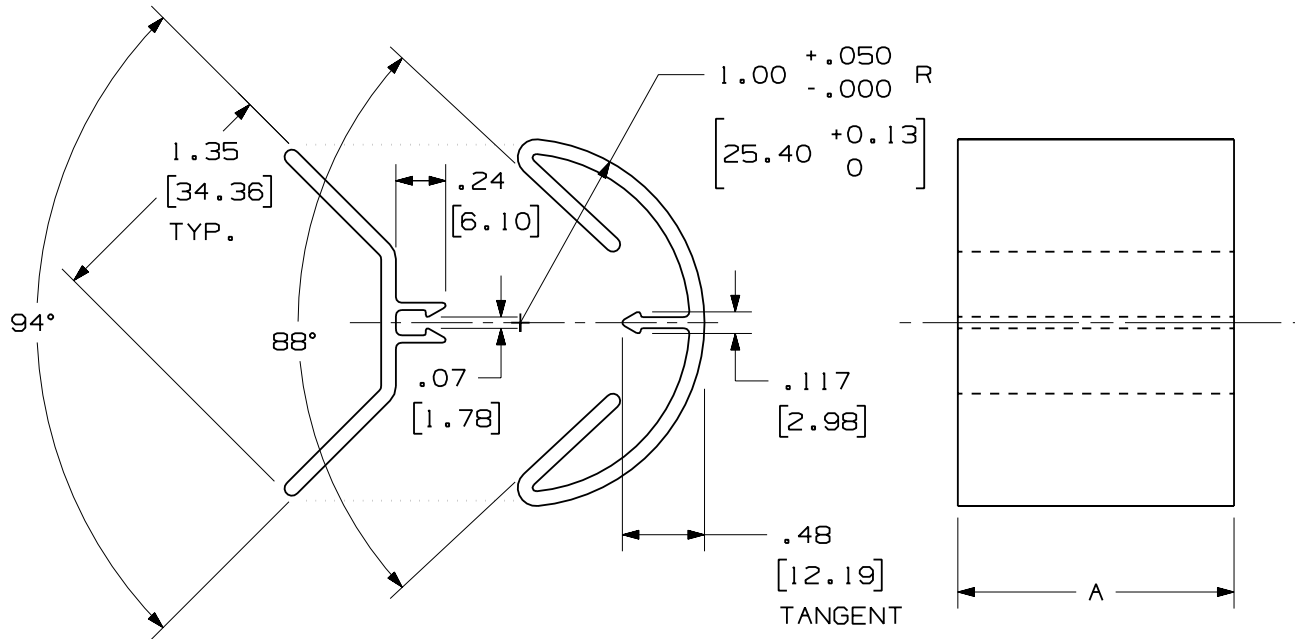


THIS COPY IS PROVIDED ON A RESTRICTED BASIS AND IS NOT TO BE USED IN ANY WAY DETRIMENTAL TO THE INTERESTS OF PANDUIT CORP.



ISOMETRIC VIEW  
SCALE: .75X

P/N	LENTGH	
	"A"	TOL.
CSC1**6	72" (1828.8)	+/- .060" (±1.52)
CSPC1**-Q	0.47" (11.9)	+/- .060" (±1.52)
CSPC1.5**-Q	1.04" (26.4)	+/- .060" (±1.52)
CSPC2**-Q	1.23" (31.2)	+/- .060" (±1.52)
CSPC3**-Q	2.27" (57.7)	+/- .060" (±1.52)
CSPC4**-Q	3.25" (82.5)	+/- .060" (±1.52)

**NOTES:**

1. SEE CURRENT CATALOG FOR PART NUMBER DESIGNATIONS FOR TYPE, COLOR, AND LENGTH.
2. IDENTIFICATION: 1" BEND RADIUS CONTROL CORNER.
3. 2-PART ASSEMBLY: (1) INSIDE CORNER AND (1) OUTSIDE CORNER.
4. DIMENSIONS IN PARENTHESIS ARE METRIC.

CAD FILENAME/LAYERS D37355AC\_DC\_ASM\_01A.PRT

**PANDUIT** CORP. TINLEY PARK, ILLINOIS  
1" BEND RADIUS CONTROL  
(CSC\*/CSPC\*-Q)  
CUSTOMER DRAWING

UNLESS OTHERWISE SPECIFIED, DIMENSIONAL TOLERANCES ARE:  
(.X) ± .03 (.8) ANGLES ± 3°  
UNLESS OTHERWISE SPECIFIED, ALL DIMENSIONS ARE GIVEN IN INCHES, THIRD ANGLE PROJECTION.

DRAWN BY JBN	MAT'L: RIGID PVC	SCALE FULL
DATE 10-16-00		DRAWING NO. 37355-03
CHK'D JKG		DWG SIZE A

REV	DATE	BY	CHK	DESCRIPTION	ECN	CHK	CUST	SUP
3	4-12-06	JCST	JKG	D. REV'D LENGTHS & TOLERANCE	37355-03	JKG	JKG	
2	1-9-04	JHNU	JKG	C. DIMENSION WAS 3.44.	37355-03	HIW	HIW	
1	07-23-01	JCST	JKG	B. CHART, NOTES, AND VIEWS CHANGED A. DRAWING SIZE AND TITLE CHANGED	37355-03	JKG	JKG	
R	10-16-00	JBN	JKG	DRAWING RELEASED TO PRODUCTION	37355-03	HIW	HIW	