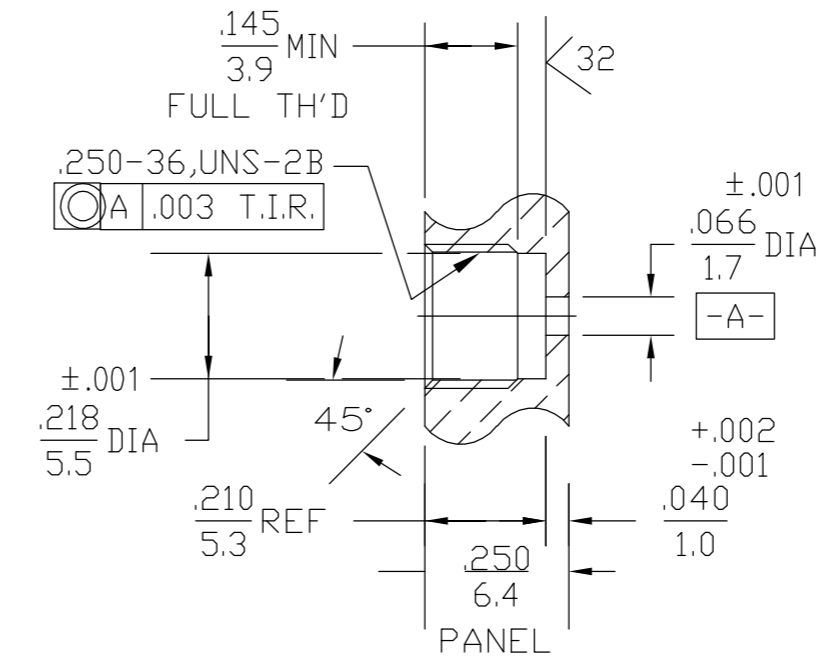
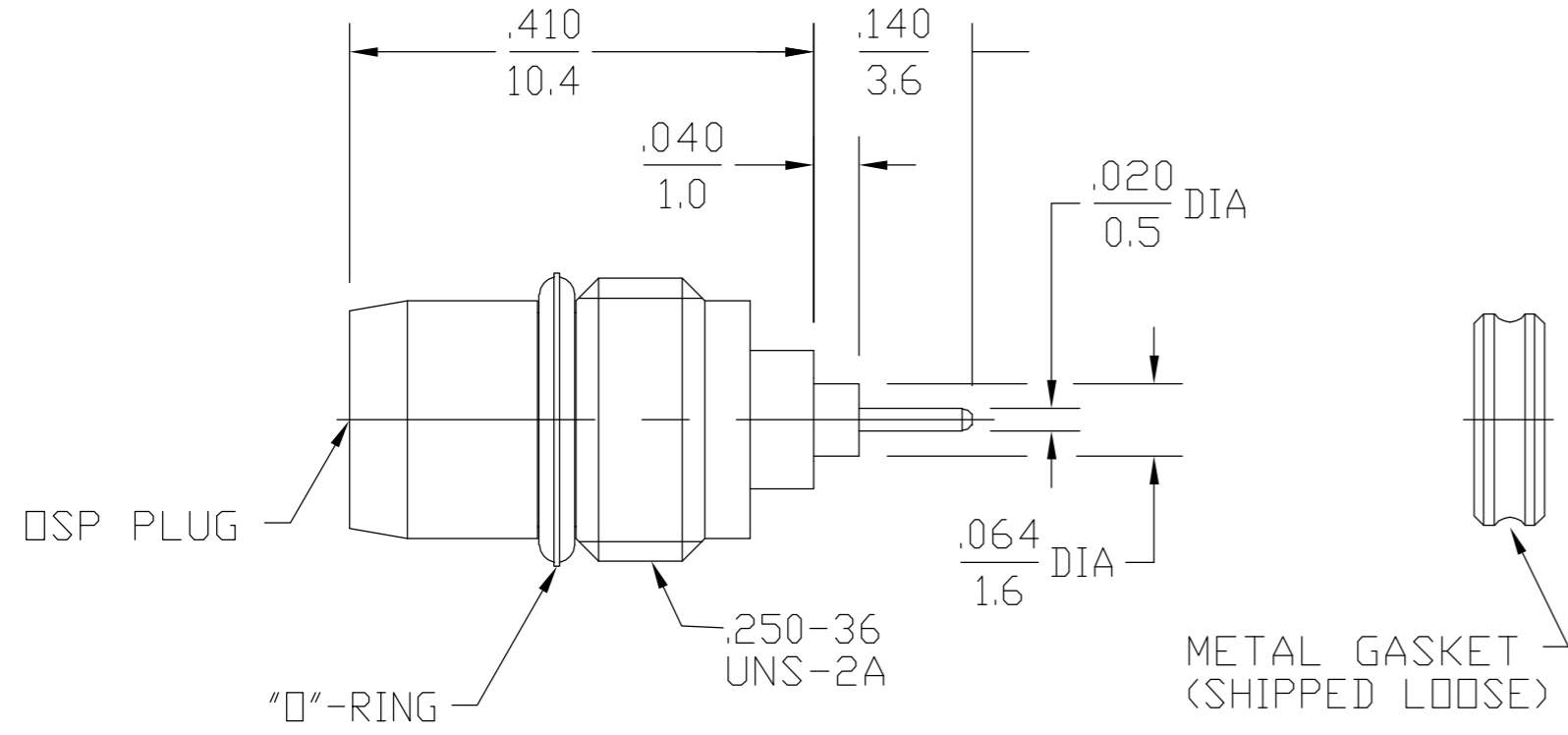


THIS DRAWING IS UNPUBLISHED. RELEASED FOR PUBLICATION
 © COPYRIGHT BY TYCO ELECTRONICS CORPORATION. ALL RIGHTS RESERVED.

LOC	DIST	REVISIONS					
		P	LTR	DESCRIPTION	DATE	DWN	APVD
AJ	17	0		RELEASED	13JAN2006	KS	JGH

1. SEE INSTRUCTION SHEET 408-8287



RECOMMENDED MOUNTING HOLE

ELECTRICAL	MECHANICAL	ENVIRONMENTAL	COMPONENT	MATERIAL	FINISH
Nominal Impedance (Ohms) 50 Frequency Range (GHz) DC to 18 Volt Rating (VRMS MAX) @ Sea Level 375 VSWR 1.04+.009f(GHz) Insertion Loss (dB MAX) .05x √f(GHz) RF Leakage (dB MIN) (Interface Only, Fully Mated) -(90-f(GHz)) Corona, 70,000 Ft (VRMS MIN) 335 Dielectric Withstanding Voltage (VRMS MIN) @ Sea Level 1000 Contact Resistance (Milliohms MAX) Center Contact 10.0 Outer Contact 2.0 RF High Potential @ Sea Level (VRMS MIN @ 5 MHz) 1000 I.R.(Megohms MIN) 5000	Interface Dimensions MIL-STD-348A, Fig. 321.1 Center Contact Captivation Axial (Lbs) 6 Weight (Grams) TBD Hermetic Seal 1 x 10 ⁻⁸ cc/sec Helium at 1 Atm	TEMPERATURE RATING -65° TO +125°C Vibration MIL-STD-202, Method 204, Condition D Shock MIL-STD-202, Method 213, Condition I Thermal Shock MIL-STD-202, Method 107, Condition B Moisture Resistance MIL-STD-202, Method 106 Corrosion - MIL-STD-202, Method 101, Condition B	HOUSING DIELECTRIC CENTER CONTACT CONTACT EXT BUSHING "O" - RING HERMETIC SEAL GASKET	STAINLESS STEEL PER ASTM-A484 AND ASTM-A582, TYPE 303 TFE FLUOROCARBON PER ASTM-D-1710 BERYLLIUM COPPER PER ASTM B 196, IRON-NICKEL-COBALT ALLOY PER MIL-I-23011 CLASS 1 (KOVAR) FLOUROSILICONE PER MIL-R-25988 GLASS BEAD KOVAR	PASSIVATE PER ASTM A 380 N/A GOLD PLATE PER ASTM B 488 GOLD PLATE PER ASTM B 488 N/A N/A SILVER PLATE PER ASTM B 700
			COMPONENT	MATERIAL	FINISH

.XXX = in
XX.X = mm (REF)

6059628-1
PART NUMBER

THIS DRAWING IS A CONTROLLED DOCUMENT.		DWN DK SCHRUM 13JAN2006	tyco Electronics	Tyco Electronics Corporation Harrisburg, PA 17105-3608	
DIMENSIONS: INCHES[mm]		CHK JG HAVENER 13JAN2006		NAME OSP PANEL FEEDTHRU, PLUG RECEPTACLE, HERMETICALLY SEALED (4557-5066-02)	
TOLERANCES UNLESS OTHERWISE SPECIFIED:		APVD JG HAVENER 13JAN2006	PRODUCT SPEC	SIZE A2	CAGE CODE 00779
0 PLC ± - 1 PLC ± - 2 PLC ± .005[0.13] 3 PLC ± - 4 PLC ± - ANGLES ± 1°		APPLICATION SPEC	DRAWING NO	DRAWING NO	RESTRICTED TO
MATERIAL SEE TABLE		FINISH SEE TABLE	WEIGHT -	SCALE 6:1	SHEET 1 of 1
CUSTOMER DRAWING			REV 0		