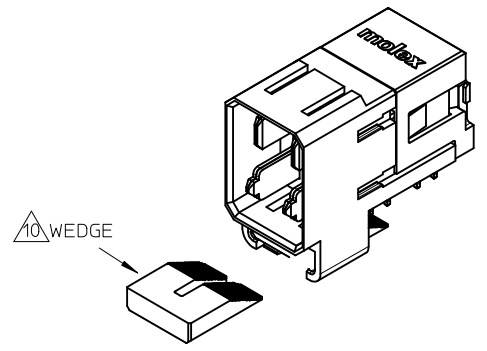
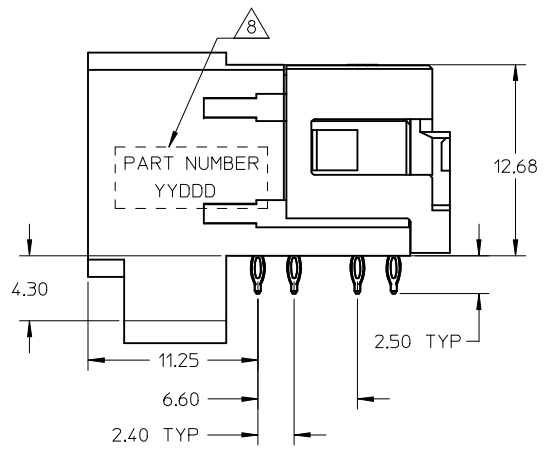
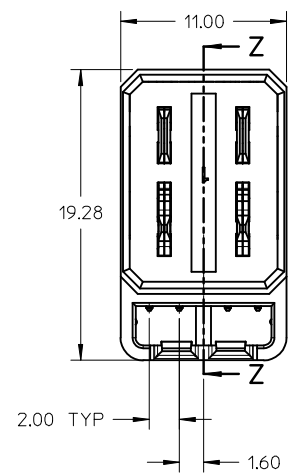


NOTES:

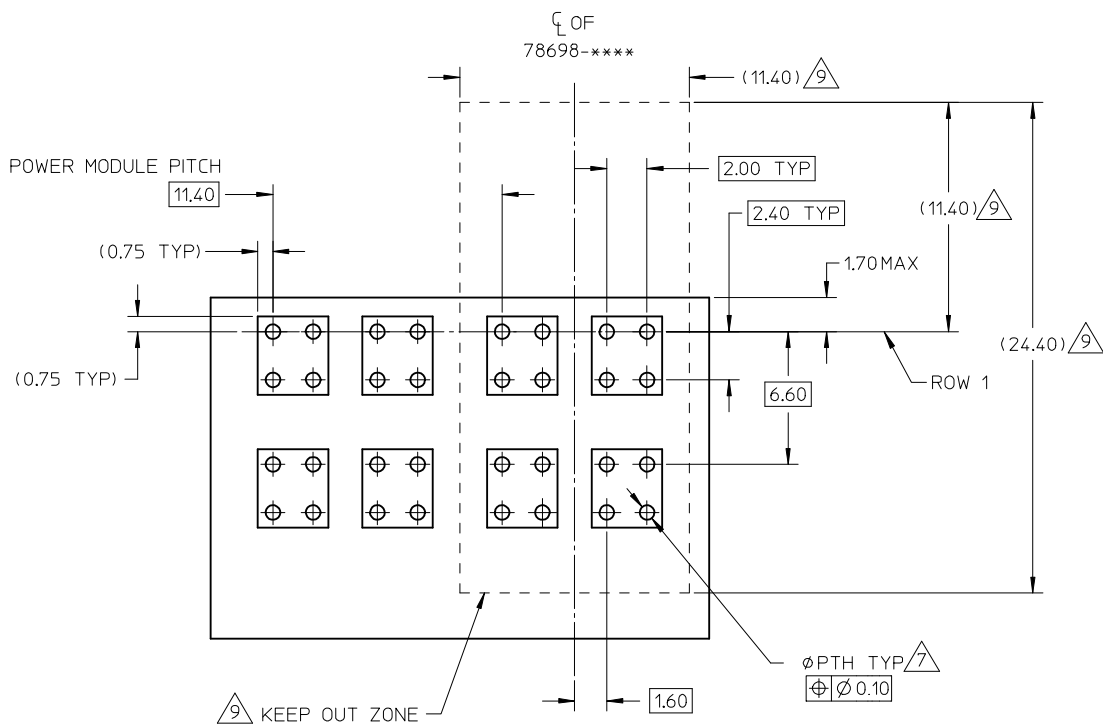
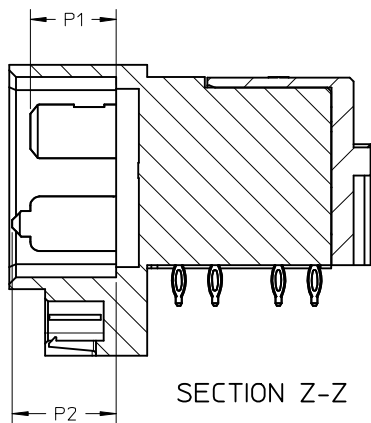
1. MATERIAL:
HOUSING - LCP, GLASS FILLED, UL94-V0, COLOR: BLACK
POWER PIN - COPPER ALLOY
2. FINISH OPTION:
TIN - 0.76µm MINIMUM GOLD AT CONTACT AND
2.54µm MINIMUM TIN AT SOLDERTAIL AREA OVER
1.27µm MINIMUM NICKEL UNDERPLATE OVERALL.
TIN-LEAD - 0.76µm MINIMUM GOLD AT CONTACT AND
2.54µm MINIMUM TIN-LEAD AT SOLDERTAIL AREA OVER
1.27µm MINIMUM NICKEL UNDERPLATE OVERALL.
3. PRODUCT SPECIFICATION: PS-78213-001.
4. PACKAGING SPECIFICATION: PK-78698-001.
5. MATES WITH 78247-**** & 78212-****.
6. REFER TO SHEET 3 FOR RECOMMENDED PCB LAYOUT.
7. REFER TO MOLEX PRODUCT SPECIFICATION PS-78213-001 FOR PLATED THROUGH-HOLE SPECIFICATIONS.
8. PART NUMBER AND DATE (YYDDD) APPROXIMATELY SHOWN.
9. KEEP OUT ZONE FROM OTHER COMPONENTS.
10. THIS CONNECTOR IS SHIPPED WITH A WEDGE. THE WEDGE SHALL BE INSERTED INTO THE BOTTOM OF CONNECTOR ONLY AFTER IT IS PRESS-FITTED ONTO PCB.



| | | | | | | | | | |
|---|--------------------|-------------------------------|---------------------------------------|---------------------------|-----------------|------|--------|---|------------------------|
| UPDATE PIN NO.: PG3 EC NO: S2014-0340 DRWN:HCGH 2012/11/29 CHYD:JESSIECHUA 2013/10/04 APPR:SHONG 2013/10/24 | DESCRIPTION REV | QUALITY SYMBOLS | GENERAL TOLERANCES (UNLESS SPECIFIED) | | DIMENSION STYLE | | SCALE | DESIGN UNITS | THIRD ANGLE PROJECTION |
| | | $F_A=0$ $F_G=0$ $F_P=0$ | mm | INCH | MM ONLY | NTS | METRIC | TITLE IMPACT POWER, 3 PAIR RIGHT ANGLE HEADER PRESS-FIT, W LOCK molex DOCUMENT NO. SD-78698-001 SHEET NO. 1 OF 3 | |
| | | 4 PLACES | ± --- | ± --- | DRAWN BY | DATE | | | |
| | | 3 PLACES | ± --- | ± --- | CHECKED BY | DATE | | | |
| 2 PLACES | ± 0.25 | ± --- | LNG | 2012/02/28 | | | | | |
| 1 PLACE | ± --- | ± --- | APPROVED BY | DATE | | | | | |
| 0 PLACE | ± | ± | SHONG | 2012/03/22 | | | | | |
| DRAFT WHERE APPLICABLE MUST REMAIN WITHIN DIMENSIONS | | ANGULAR ± 3 ° | | MATERIAL NO. SEE TABLE | | | | | |

| 10 | 9 | 8 | 7 |
|-------------|-------------------------|-------------------------|------------------------------|
| PART NUMBER | P1 (APPLIES TO B1 & B2) | P2 (APPLIES TO A1 & A2) | PLATING OPTIONS △ PLATING |
| 78698-1011 | 6.90 | 6.90 | TIN PLATING |
| 78698-1022 | 5.70 | 5.70 | |
| 78698-1033 | 6.90 | 5.70 | |
| 78698-1044 | 5.70 | 6.90 | |

PACKAGING
TRAY

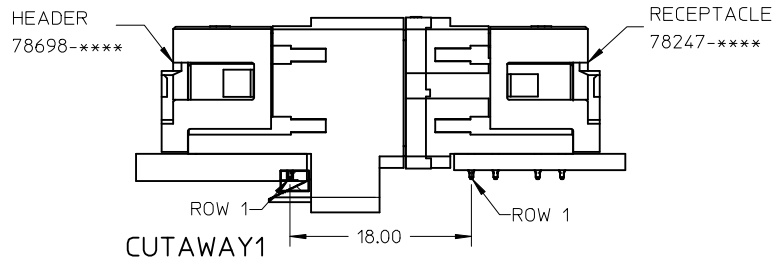


RECOMMENDED PCB LAYOUT

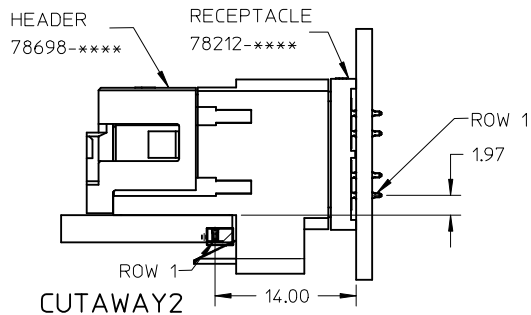
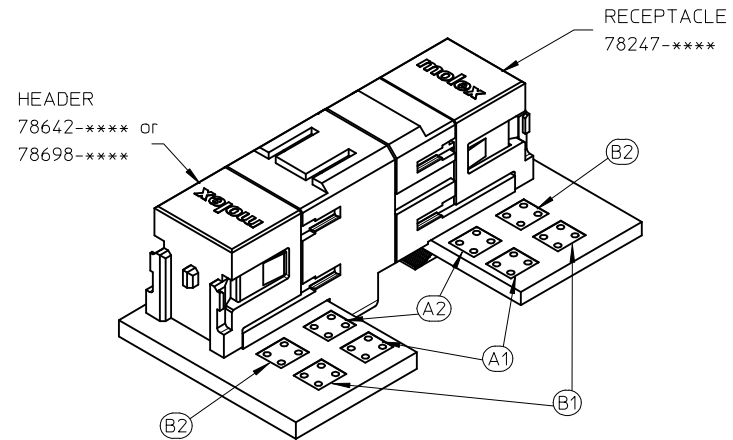
(COMPONENT SIDE SHOWN)

BOARD THICKNESS: FROM 2.75mm TO 3.75mm only

| | | | | | | | | | |
|---|--------------------------------------|---------------------------------------|----------------------|--|----------------------|------------------------|--|--|--|
| UPDATE PIN NO., PG3 EC NO: S2014-0340 DRWN:HCGOH 2012/11/29 CH'KD: JESSIECHUA 2013/10/04 APPR: SHONG 2013/10/24 | QUALITY SYMBOLS △=0 △=0 △=0 | GENERAL TOLERANCES (UNLESS SPECIFIED) | | DIMENSION STYLE MM ONLY | SCALE NTS | DESIGN UNITS METRIC | THIRD ANGLE PROJECTION | | |
| | | 4 PLACES ± --- ± --- | 3 PLACES ± --- ± --- | mm INCH | DRAWN BY CTCHO | DATE 2012/02/28 | TITLE IMPACT POWER, 3 PAIR RIGHT ANGLE HEADER PRESS-FIT, W LOCK | | |
| | | 2 PLACES ± 0.25 ± --- | 1 PLACE ± --- ± --- | ± 0.25 ± --- | CHECKED BY LNG | DATE 2012/02/28 | molex | | |
| | | 0 PLACE ± ± | ANGULAR ± 3 ° | DRAFT WHERE APPLICABLE MUST REMAIN WITHIN DIMENSIONS | APPROVED BY SHONG | DATE 2012/03/22 | | | |

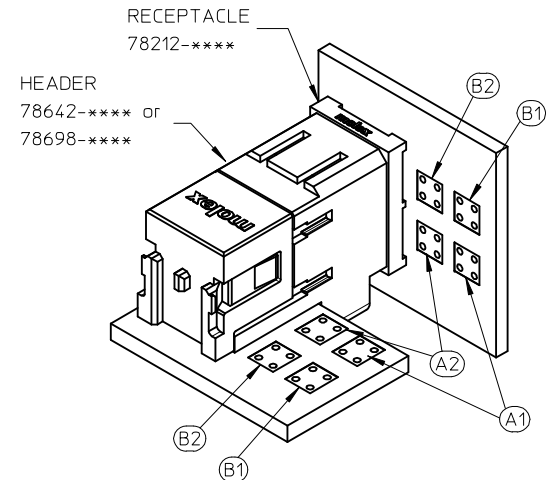


RIGHT ANGLE HEADER (78642) & RIGHT ANGLE RECEPTACLE (78247)

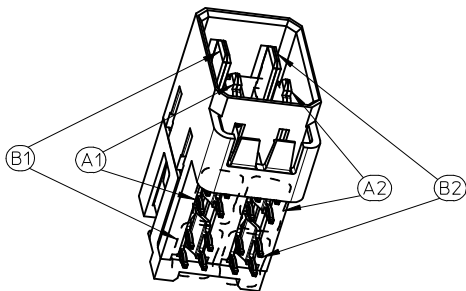


RIGHT ANGLE HEADER (78698) & VERTICAL RECEPTACLE (78212)

MATED SYSTEM OPTIONS WITH 78698



CIRCUIT PATH OF MATED SYSTEM



PIN NUMBER ASSIGNMENT BASED ON HEADER SIDE:

A1, B1 ON THE LEFT,
A2, B2 ON THE RIGHT.

| | | | | | | | | | | |
|--|---|---------------------------------------|-------|----------------------------|------------|--|---|------------------------|--|--|
| UPDATE PIN NO.: PG3 EC NO: S2014-0340 DRWN: HCGH 2012/11/29 CHYK: JESSIECHUA 2013/10/04 APPR: SHONG 2013/10/24 | QUALITY SYMBOLS $\nabla_A = 0$ $\nabla_C = 0$ $\nabla_P = 0$ | GENERAL TOLERANCES (UNLESS SPECIFIED) | | DIMENSION STYLE MM ONLY | | SCALE NTS | DESIGN UNITS METRIC | THIRD ANGLE PROJECTION | | |
| | | mm | INCH | DRAWN BY | DATE | TITLE | | | | |
| | | 4 PLACES | ± --- | ± --- | CTCHO | 2012/02/28 | IMPACT POWER, 3 PAIR RIGHT ANGLE HEADER PRESS-FIT, W LOCK molex | | | |
| | | 3 PLACES | ± --- | ± --- | CHECKED BY | DATE | | | | |
| | 2 PLACES | ± 0.25 | ± --- | LNG | 2012/02/28 | MATERIAL NO. SEE TABLE DOCUMENT NO. SD-78698-001 SHEET NO. 3 OF 3 | | | | |
| | 1 PLACE | ± --- | ± --- | APPROVED BY | DATE | | | | | |
| | 0 PLACE | ± | ± | SHONG | 2012/03/22 | THIS DRAWING CONTAINS INFORMATION THAT IS PROPRIETARY TO MOLEX INCORPORATED AND SHOULD NOT BE USED WITHOUT WRITTEN PERMISSION | | | | |
| | ANGULAR ± 3 ° | | | MATERIAL NO. | | | | | | |
| | DRAFT WHERE APPLICABLE MUST REMAIN WITHIN DIMENSIONS | | | SIZE A3 | | | | | | |