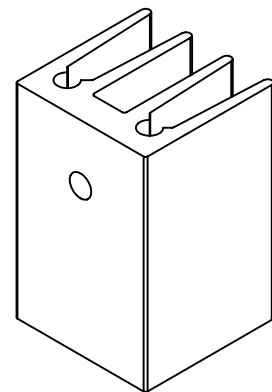
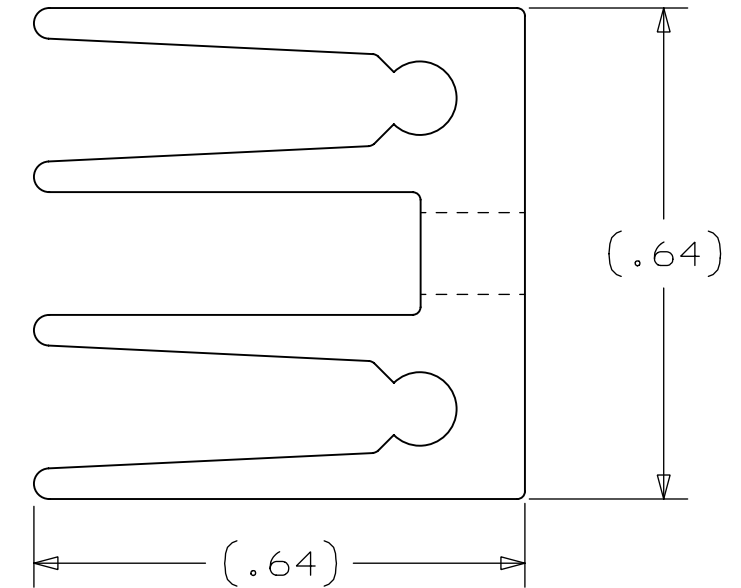
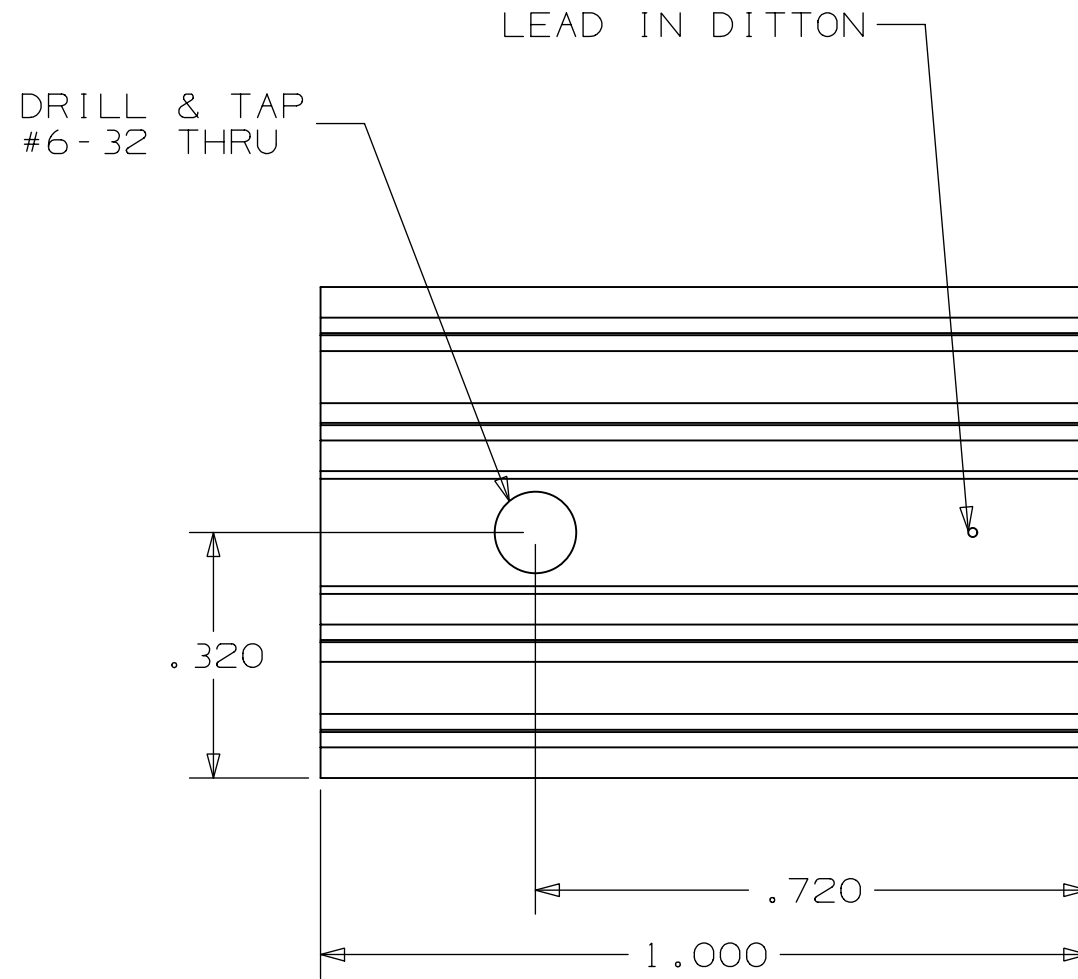
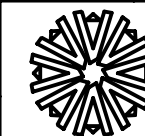


THIS DRAWING AND THE SPECIFICATIONS CONTAINED HEREIN ARE CONFIDENTIAL AND PROPRIETARY. THEY ARE THE PROPERTY OF AAVID THERMAL TECHNOLOGIES INC. AND SHALL NOT BE REPRODUCED OR COPIED OR USED IN WHOLE OR IN PART AS THE BASIS FOR THE MANUFACTURE OR SALE OF ITEMS WITHOUT WRITTEN PERMISSION. THIS IS AN UNPUBLISHED WORK PROTECTED UNDER THE FEDERAL COPYRIGHT LAWS. 1995



D	12/13/99	GENERAL UPDATE PER ECN #009177	
C	12/10/96	RELEASED PER ECN #003444	ML
REV.	DATE	DESCRIPTION	CHK'D



AAVIDTM
THERMAL TECHNOLOGIES, INC.

ONE KOOL PATH
P.O. BOX 400
LACONIA, N.H.
03247-0400

FINISH	BLACK ANODIZE
U/O	
MAT'L	62470 (004236)
TOLERANCE	UNLESS NOTED
.XX±	.015
.XXX±	.010
ANGULAR±	3°

DRAWING NO.		002701		
STANDARD DESCRIPTION				
STD,581002B00000				
DATE	DRAWN	CHK'D	APP'D	SCALE
08/28/96	JWD	.	.	4 TO 1
SHEET				