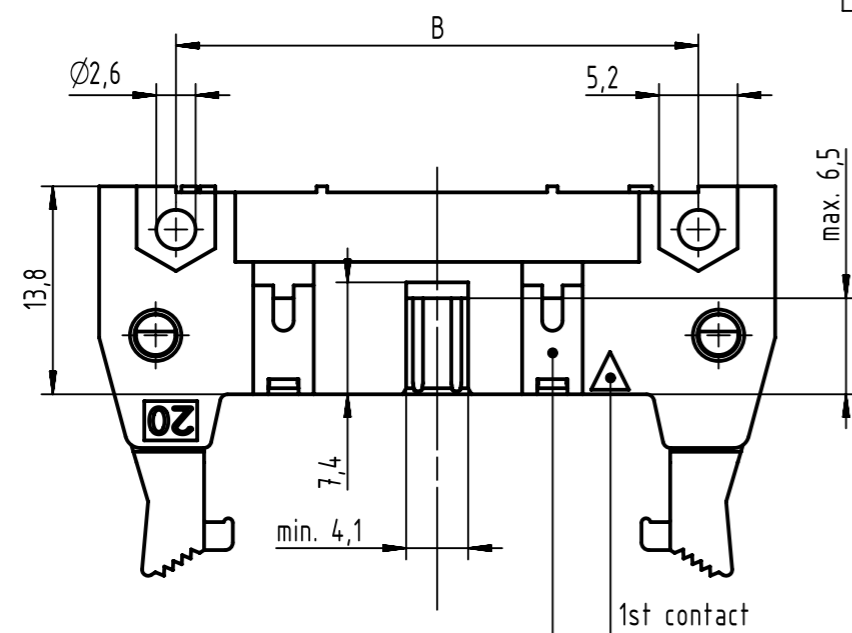
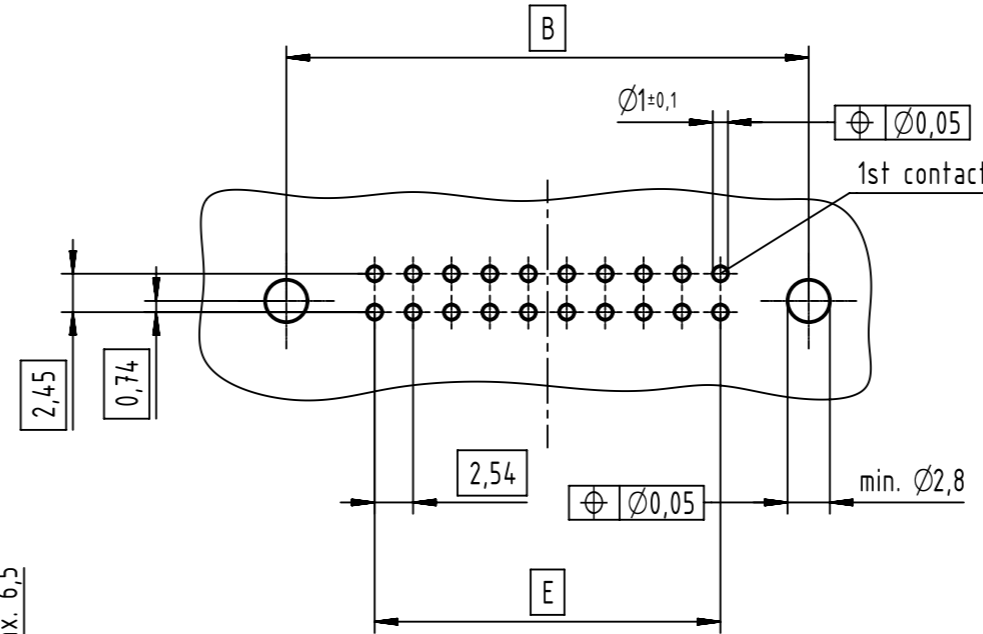
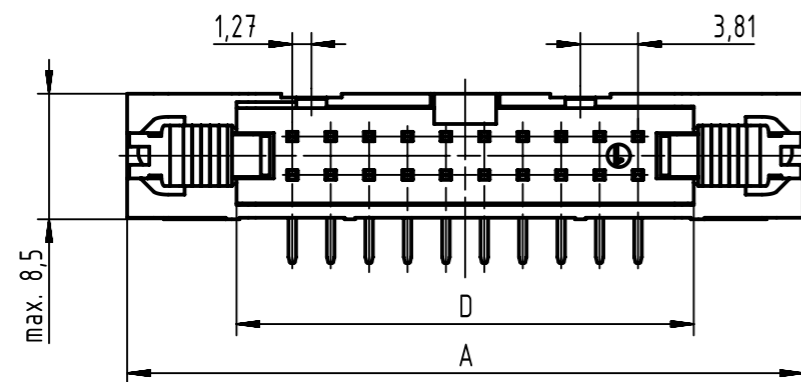


PCB layout  
view component side  
thickness 1,6



see tables for coding,  
feature arrangement and style

coding style table

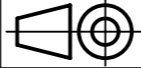
	style A: for connectors 6-pole
	style B: for connectors from 10 to 14-pole
	style C: for connectors from 16 to 64-pole

further more information  
see: DS 09191130201

full range of P/N's and  
dimensions shown on page 2/2

	All Dimensions in mm Original Size DIN A3	Scale 2:1	Free size tol. IEC 60603-13	Ref. Sub. TB 09195XXX903 / 50000093939 / 2015-08-31
	All rights reserved Department EC PD - DE	Created by STORCK	Inspected by LEHNERT	Standardisation HOFFMANN
HARTING Electronics GmbH D-32339 Espelkamp	Title SEK 19 male standard conn angled with long lever 2.9	Date 2015-09-16	State Final Release	Doc-Key / ECM-Nr. 100154464/UGD/004/C 50000094555
	Type TB	Number 09195XXX903	Rev. C	Page 1/2

1	2		3		4	5		6		7		8	
A	no. of contacts	performance level			insulator colour	remark	dimensions					A	
		PL3	PL2	S4			A max.	B	D	E			G
		part number	part number	part number			part number	part number	part number	part number	part number		part number
B	06	09 19 506 7903	09 19 506 6903	09 19 506 5903	beige		27,2	16,76	12,45	2,54 x 2 = 5,08		40,3	
	10	09 19 510 7903	09 19 510 6903	09 19 510 5903			32,3	21,84	17,53	2,54 x 4 = 10,16		45,4	
	14	09 19 514 7903	09 19 514 6903	09 19 514 5903			37,4	26,92	22,61	2,54 x 6 = 15,24		50,4	
	16	09 19 516 7903	09 19 516 6903	09 19 516 5903			39,9	29,46	25,15	2,54 x 7 = 17,78		53,0	
	20	09 19 520 7903	09 19 520 6903	09 19 520 5903			45,0	34,54	30,23	2,54 x 9 = 22,86		58,1	
	24	09 19 524 7903	09 19 524 6903	09 19 524 5903			50,1	39,62	35,91	2,54 x 11 = 27,94		63,2	
	26	09 19 526 7903	09 19 526 6903	09 19 526 5903			52,6	42,16	37,85	2,54 x 12 = 30,48		65,7	
	30	09 19 530 7903	09 19 530 6903	09 19 530 5903			58,0	47,24	43,83	2,54 x 14 = 35,56		68,6	
	34	09 19 534 7903	09 19 534 6903	09 19 534 5903			62,8	52,32	48,01	2,54 x 16 = 40,64		75,8	
	40	09 19 540 7903	09 19 540 6903	09 19 540 5903			70,4	59,94	55,63	2,54 x 19 = 48,26		83,5	
	50	09 19 550 7903	09 19 550 6903	09 19 550 5903			83,1	72,64	68,33	2,54 x 24 = 60,96		96,2	
	60	09 19 560 7903	09 19 560 6903	09 19 560 5903			95,8	85,34	81,03	2,54 x 29 = 73,66		108,9	
64	09 19 564 7903	09 19 564 6903	09 19 564 5903	100,9	90,42	86,11	2,54 x 31 = 78,74		113,9				
C	06	09 19 506 7903 001	09 19 506 6903 001	09 19 506 5903 001	black		27,2	16,76	12,45	2,54 x 2 = 5,08		40,3	
	10	09 19 510 7903 001	09 19 510 6903 001	09 19 510 5903 001			32,3	21,84	17,53	2,54 x 4 = 10,16		45,4	
	14	09 19 514 7903 001	09 19 514 6903 001	09 19 514 5903 001			37,4	26,92	22,61	2,54 x 6 = 15,24		50,4	
	16	09 19 516 7903 001	09 19 516 6903 001	09 19 516 5903 001			39,9	29,46	25,15	2,54 x 7 = 17,78		53,0	
	20	09 19 520 7903 001	09 19 520 6903 001	09 19 520 5903 001			45,0	34,54	30,23	2,54 x 9 = 22,86		58,1	
	24	09 19 524 7903 001	09 19 524 6903 001	09 19 524 5903 001			50,1	39,62	35,91	2,54 x 11 = 27,94		63,2	
	26	09 19 526 7903 001	09 19 526 6903 001	09 19 526 5903 001			52,6	42,16	37,85	2,54 x 12 = 30,48		65,7	
	30	09 19 530 7903 001	09 19 530 6903 001	09 19 530 5903 001			58,0	47,24	43,83	2,54 x 14 = 35,56		68,6	
	34	09 19 534 7903 001	09 19 534 6903 001	09 19 534 5903 001			62,8	52,32	48,01	2,54 x 16 = 40,64		75,8	
	40	09 19 540 7903 001	09 19 540 6903 001	09 19 540 5903 001			70,4	59,94	55,63	2,54 x 19 = 48,26		83,5	
	50	09 19 550 7903 001	09 19 550 6903 001	09 19 550 5903 001			83,1	72,64	68,33	2,54 x 24 = 60,96		96,2	
	60	09 19 560 7903 001	09 19 560 6903 001	09 19 560 5903 001			95,8	85,34	81,03	2,54 x 29 = 73,66		108,9	
64	09 19 564 7903 001	09 19 564 6903 001	09 19 564 5903 001	100,9	90,42	86,11	2,54 x 31 = 78,74		113,9				
D	06	09 19 506 7903 740	09 19 506 6903 740	09 19 506 5903 740	beige	vacuum cover tape & reel packaging	27,2	16,76	12,45	2,54 x 2 = 5,08		40,3	
	10	09 19 510 7903 740	09 19 510 6903 740	09 19 510 5903 740			32,3	21,84	17,53	2,54 x 4 = 10,16		45,4	
	14	09 19 514 7903 740	09 19 514 6903 740	09 19 514 5903 740			37,4	26,92	22,61	2,54 x 6 = 15,24		50,4	
	16	09 19 516 7903 740	09 19 516 6903 740	09 19 516 5903 740			39,9	29,46	25,15	2,54 x 7 = 17,78		53,0	
	20	09 19 520 7903 740	09 19 520 6903 740	09 19 520 5903 740			45,0	34,54	30,23	2,54 x 9 = 22,86		58,1	
	24	09 19 524 7903 740	09 19 524 6903 740	09 19 524 5903 740			50,1	39,62	35,91	2,54 x 11 = 27,94		63,2	
	26	09 19 526 7903 740	09 19 526 6903 740	09 19 526 5903 740			52,6	42,16	37,85	2,54 x 12 = 30,48		65,7	
	30	09 19 530 7903 740	09 19 530 6903 740	09 19 530 5903 740			58,0	47,24	43,83	2,54 x 14 = 35,56		68,6	
	34	09 19 534 7903 740	09 19 534 6903 740	09 19 534 5903 740			62,8	52,32	48,01	2,54 x 16 = 40,64		75,8	
	40	09 19 540 7903 740	09 19 540 6903 740	09 19 540 5903 740			70,4	59,94	55,63	2,54 x 19 = 48,26		83,5	
	50	09 19 550 7903 740	09 19 550 6903 740	09 19 550 5903 740			83,1	72,64	68,33	2,54 x 24 = 60,96		96,2	
	60	09 19 560 7903 740	09 19 560 6903 740	09 19 560 5903 740			95,8	85,34	81,03	2,54 x 29 = 73,66		108,9	
64	09 19 564 7903 740	09 19 564 6903 740	09 19 564 5903 740	100,9	90,42	86,11	2,54 x 31 = 78,74		113,9				

 All rights reserved Department EC PD - DE		All Dimensions in mm Original Size DIN A3		Scale 1:1 Free size tol.		Ref. Sub. TB 09195XXX903 / 50000093939 / 2015-08-31	
HARTING Electronics GmbH D-32339 Espelkamp		Created by STORCK		Inspected by LEHNERT		Standardisation HOFFMANN	
Title <b>SEK 19 male standard conn angled with long lever 2.9</b>		Date 2015-09-16		State Final Release		Doc-Key / ECM-Nr. 100154464/UGD/004/C 50000094555	
Type TB		Number 09195XXX903		Rev. C		Page 2/2	