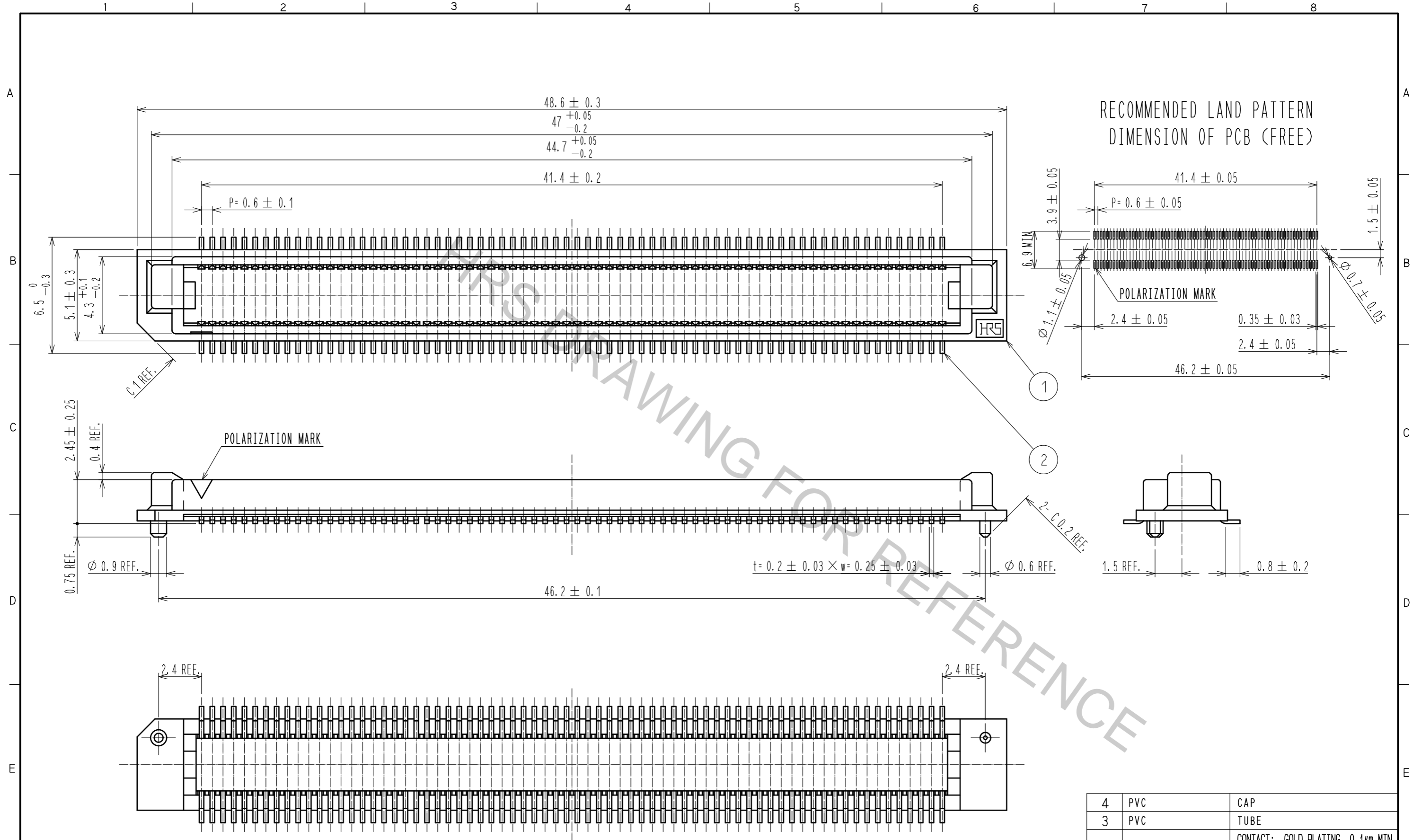


Apr.1.2017 Copyright 2017 HIROSE ELECTRIC CO., LTD. All Rights Reserved.

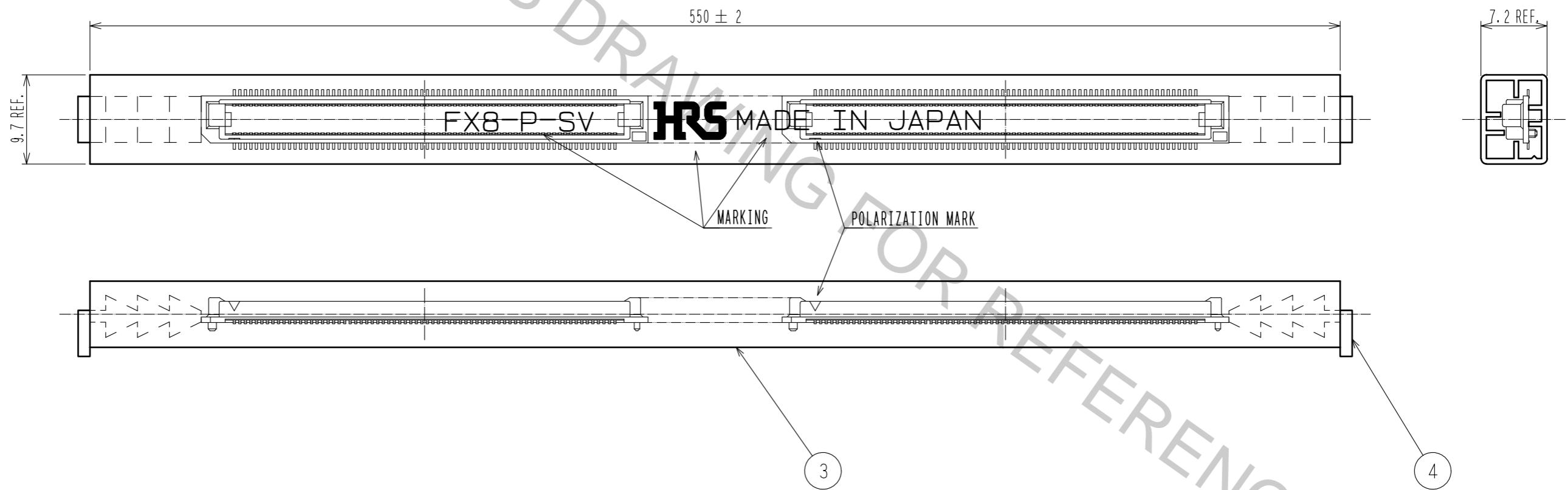


- NOTE
1. SMT LEAD-COPLANARITY:0.1 MAX.
  2. TUBE PACKAGE IS APPLIED FOR THIS PRODUCT. PLEASE REFER TO THE SHEET 2/2 FOR THE DETAILS.
  3. FOR MODIFICATION, ETC., PREVENTIVE HOLE FOR SINK MARK MAY BE ADDED ACCORDING TO CIRCUMSTANCES.

4	PVC	CAP
3	PVC	TUBE
2	PHOSPHOR BRONZE	CONTACT: GOLD PLATING 0.1μm MIN LEAD : GOLD PLATING 0.03μm MIN UNDER :NICKEL PLATING 0.5μm MIN

1	PPS	LIGHT BROWN, UL94V-0							
NO.	MATERIAL	FINISH	REMARKS	NO.	MATERIAL	FINISH	REMARKS		
UNITS	mm	SCALE	5:1	COUNT	DESCRIPTION OF REVISIONS		DESIGNED	CHECKED	DATE
<b>HRS</b> HIROSE ELECTRIC CO., LTD.		APPROVED	:NH. NAKATA	16.11.21	DRAWING NO.		EDC-150568-91-00		
		CHECKED	:HT. YAMAGUCHI	16.11.21	PART NO.		FX8-140P-SV(91)		
		DESIGNED	:MT. ITANO	16.11.21	CODE NO.		CL578-0007-2-91		
		DRAWN	:MT. ITANO	16.11.21					

DRAWING FOR PACKING(FREE)



NOTE 4. 1TUBE : 10CONNECTORS.

<b>HRS</b>	DRAWING NO.	EDC-150568-91-00
	PART NO.	FX8-140P-SV(91)
	CODE NO.	CL578-0007-2-91
		2/2