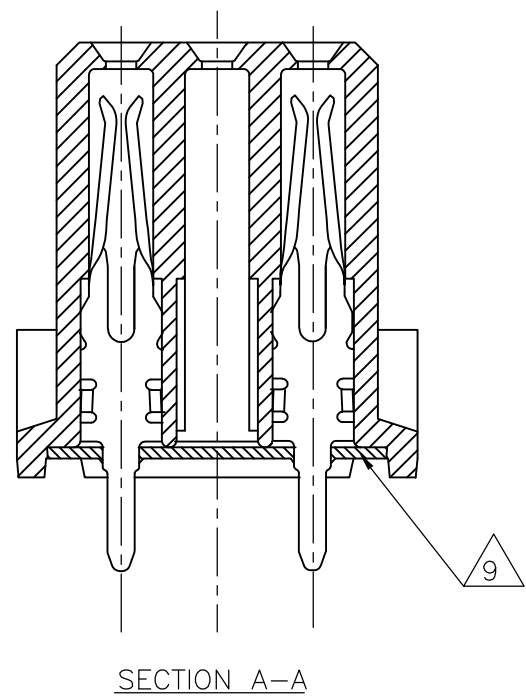
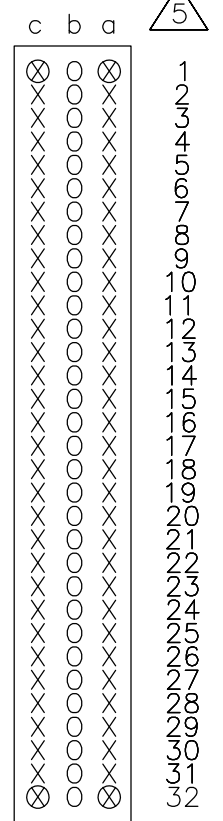
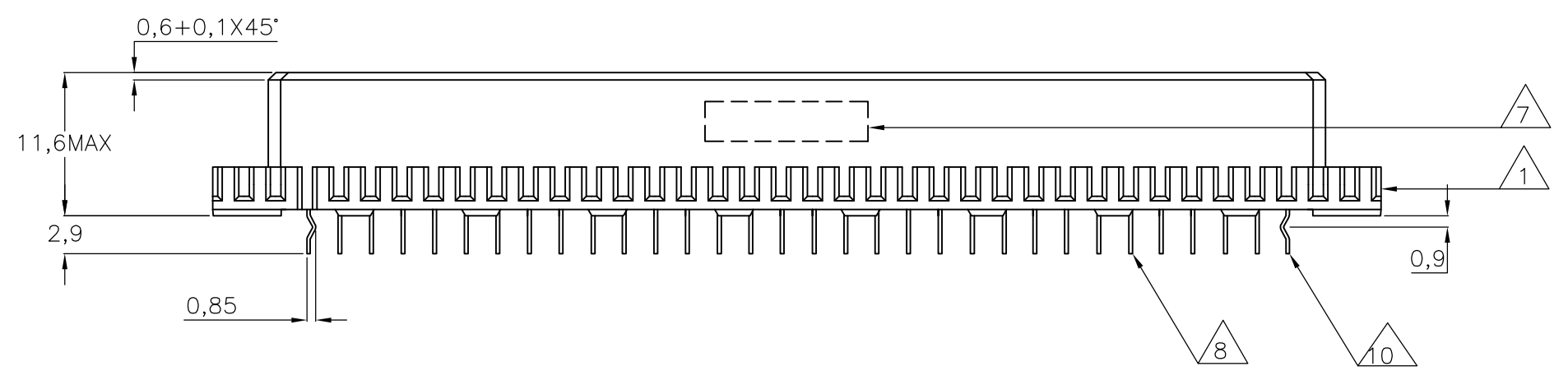
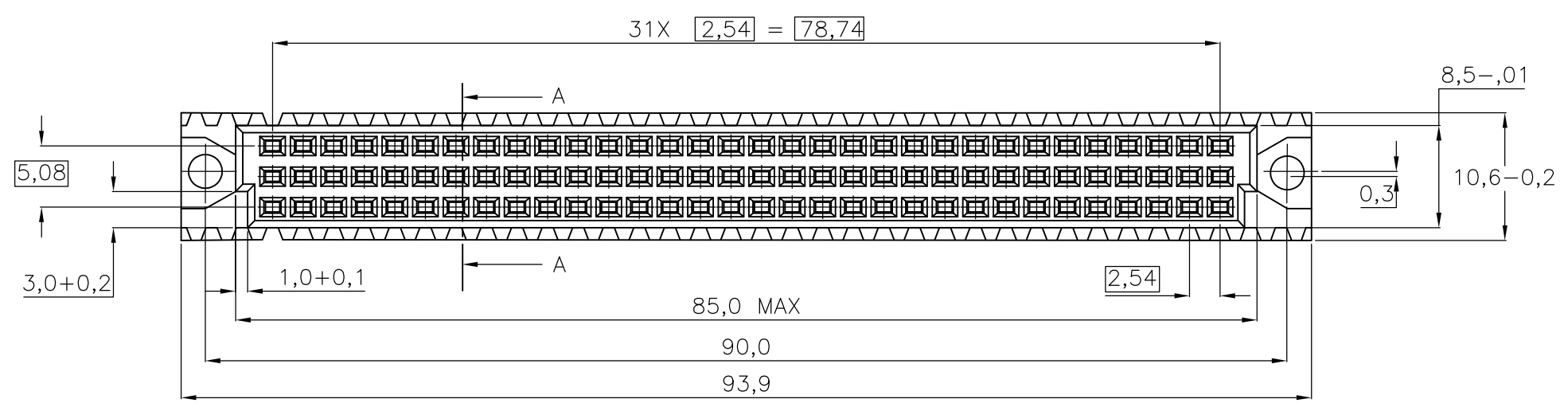


THIS DRAWING IS UNPUBLISHED. RELEASED FOR PUBLICATION  
 © COPYRIGHT - By - ALL RIGHTS RESERVED.

LOC	DIST	REVISIONS			
P	LTR	DESCRIPTION	DATE	DWN	APVD
H	-	J	ECR-07-020965	25-08-08	AEG MKO
		J1	REVISED PER ECO-09-020935	31AUG09	KK AEG
		J2	ECR-11-008320	18NOV11	RK MKO

- NOTES:
- 1 CONNECTOR MEETS THE REQUIREMENTS ACC. DIN 41612, PART 5.
  - 2 MATERIAL CONTACT: PHOSPHORBRONZE. MATERIAL HOUSING: GLASSFILLED THERM. POLYESTER. COLOR:GREY
  - 3 AT CONTACTAREA 1,25µm GOLD OVER 1,25µm NICKEL AT SOLDER POST AREA 1,25µm TIN.
  - 4 AT CONTACTAREA 0,8µm GOLD OVER 1,25µm NICKEL AT SOLDER POST AREA 1,25µm TIN.
  - 5 CONTACT ARRANGEMENTS; AN AN ASTERISK " X " DENOTES A SIGNAL CONTACT. AN ASTERISK " ⊗ " DENOTES A KINKED SIGNAL CONTACT.
  - 6 AT CONTACTAREA 0,4µm GOLD OVER 1,25µm NICKEL AT SOLDER POST AREA 1,25µm TIN.
  - 7 CONNECTOR PRINTED WITH PARTNUMBER AND DATECODE ON OUTSIDE OF MATING AREA AT SIDE OF ROW c.
  - 8 SOLDER POSTS SUITABLE FOR 1,0 NOM. P.C.B. HOLES.
  - 9 FLUX RESISTANCE STRIP.
  - 10 KINKED POSTS.
  - 11 AT CONTACTAREA 0,1µm GOLD OVER 0,7µm PALLADIUM (DURAGOLD) OVER 1,25µm NICKEL, AT SOLDERPOST AREA 1,25µm TIN.
  - 12 OBSOLETE PARTS: OBSOLETE CIS STREAMLINING PER D.RENAUD/D.SINISI



	OBSOLETE	WITH	WITHOUT	11	2	7-216082-4	
	OBSOLETE	WITH	WITH	11	2	6-216082-4	
12	OBSOLETE	WITH	WITHOUT	4	2	1-216082-4	
	OBSOLETE	WITH	WITH	6	2	216082-8	
	SUPERSEDED BY 2173045-4		WITH	WITH	4	2	216082-4
	OBSOLETE	WITH	WITH	3	2	216082-1	
				10	9	FINISH MATERIAL PARTNUMBER	

THIS DRAWING IS A CONTROLLED DOCUMENT.

DIMENSIONS: mm	TOLERANCES UNLESS OTHERWISE SPECIFIED:	DWN J.V.LIEMPT. 19JUN91	TE Connectivity 64 POS C FEMALE B.T.B. CONN. ACC. DIN 41612 WITH SOLDER POSTS FOR 1,6 mm. P.C.BOARD THK'S.
MATERIAL	FINISH	CHK J.GIBBELS	
		APVD	
		PRODUCT SPEC	
		APPLICATION SPEC	NAME
		WEIGHT	SIZE CAGE CODE DRAWING NO RESTRICTED TO
		CUSTOMER DRAWING	A3 00779 C-216082
		SCALE NTS	SHEET 1 OF 1 REV J2