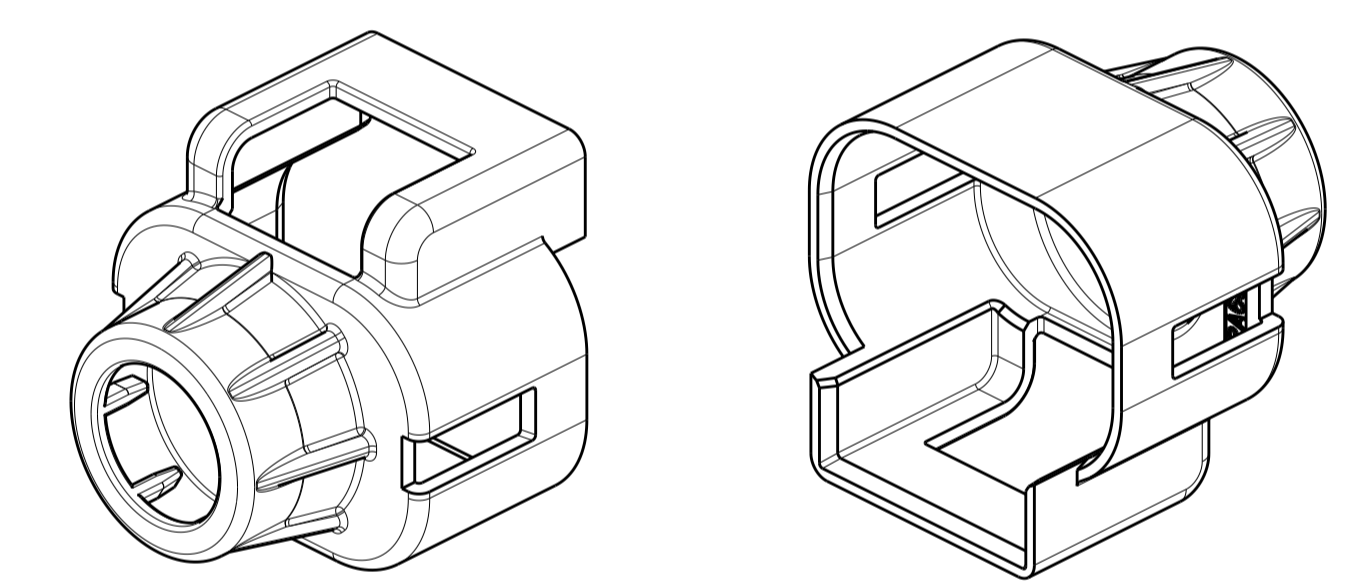
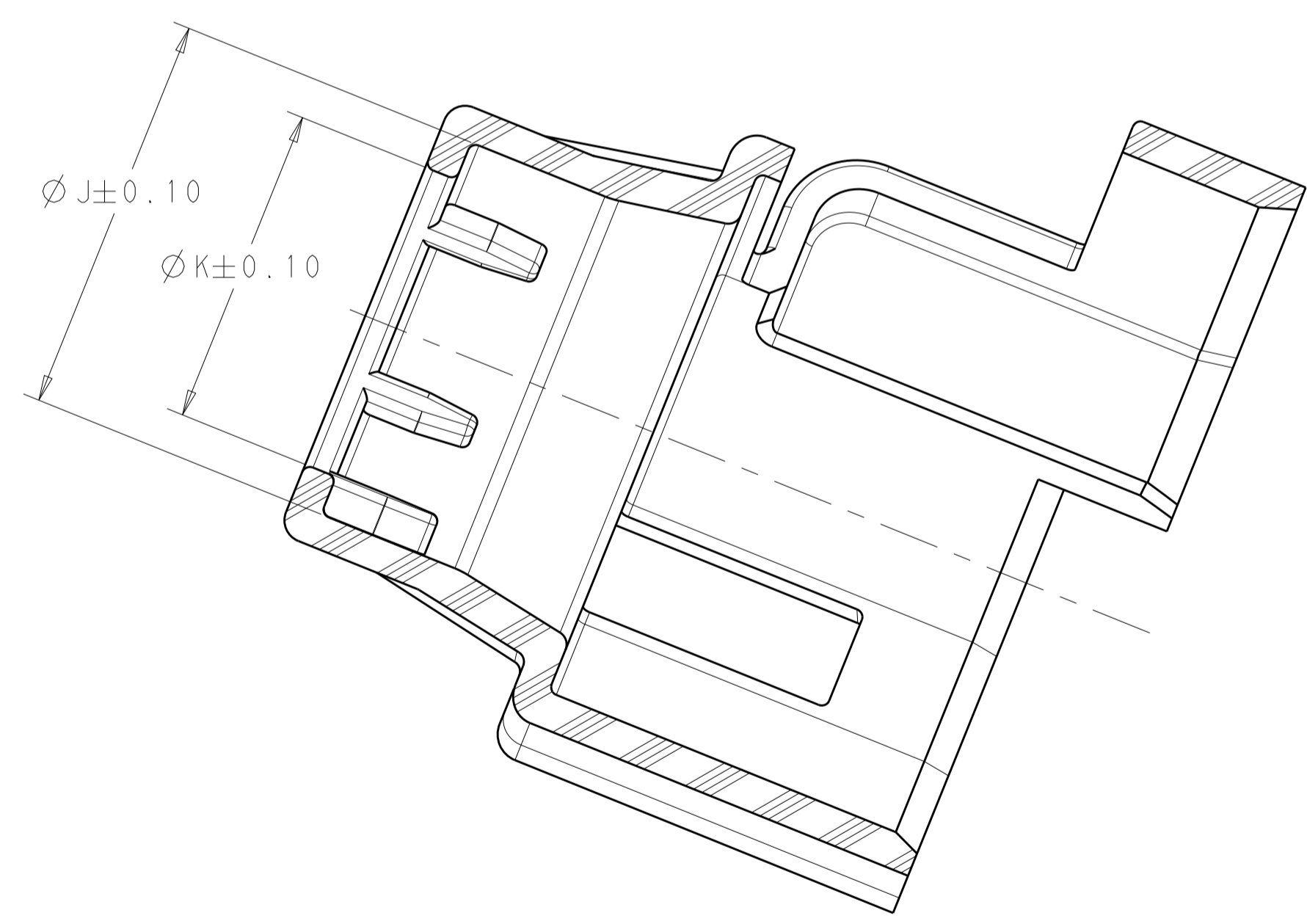
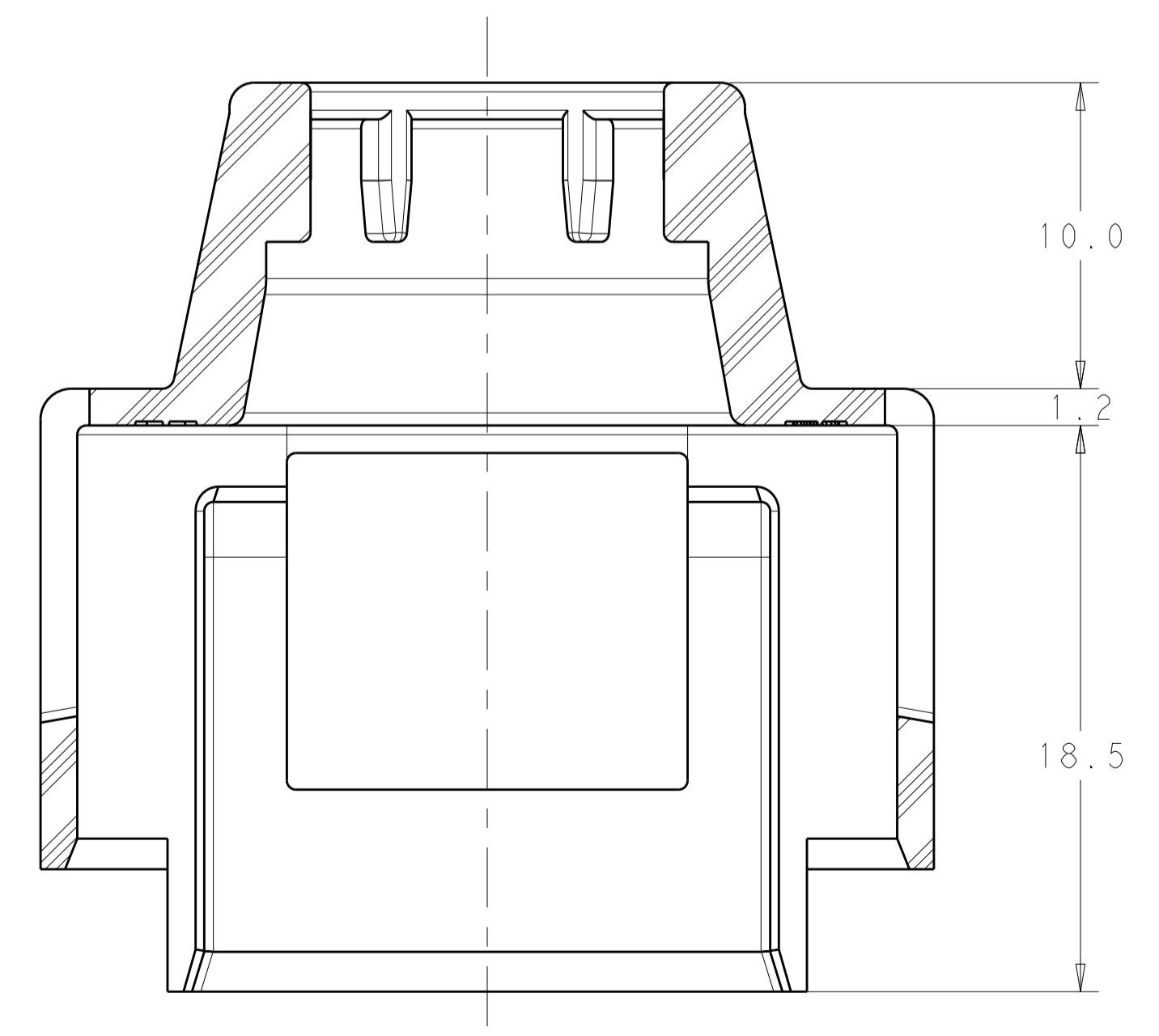
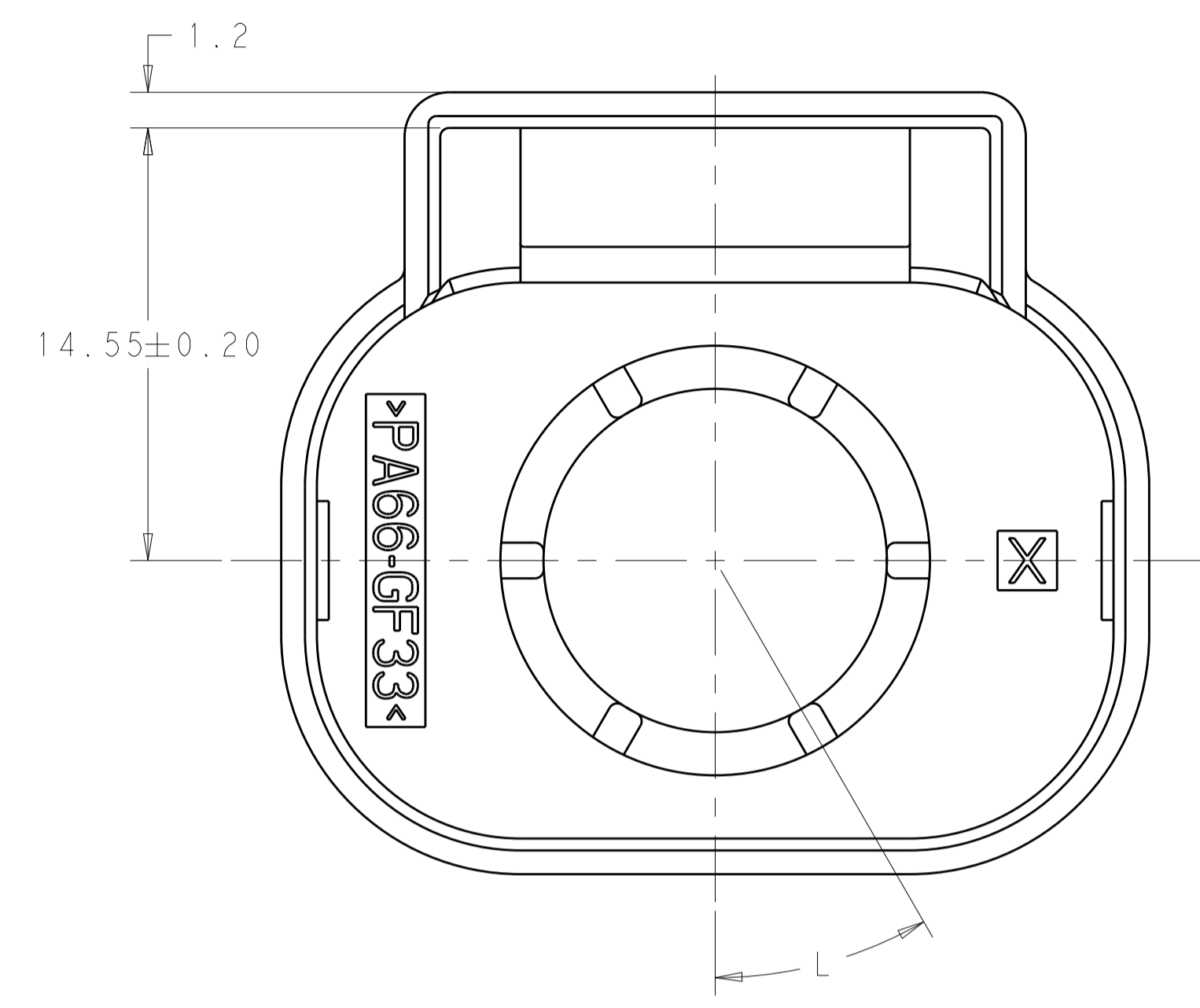
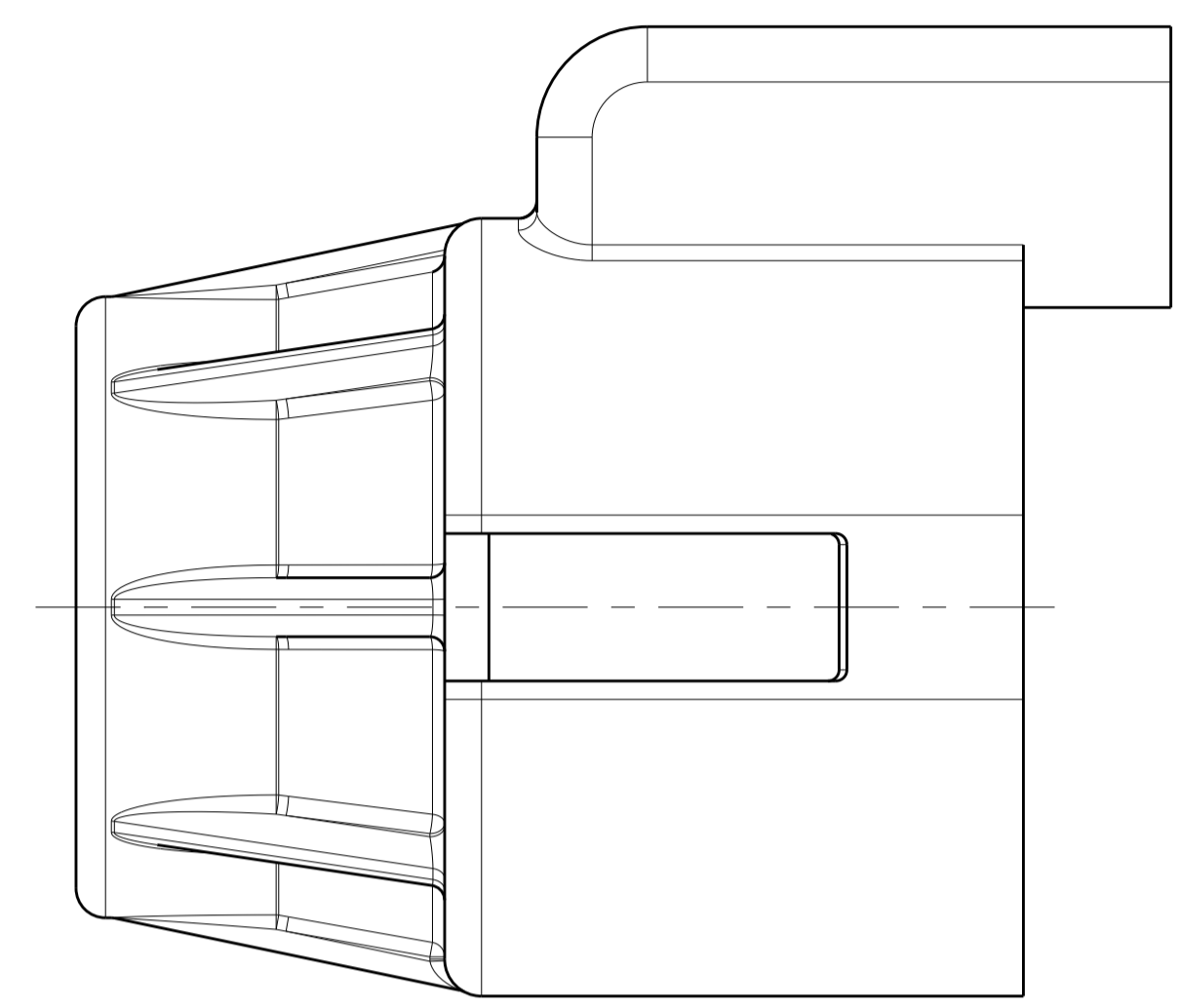
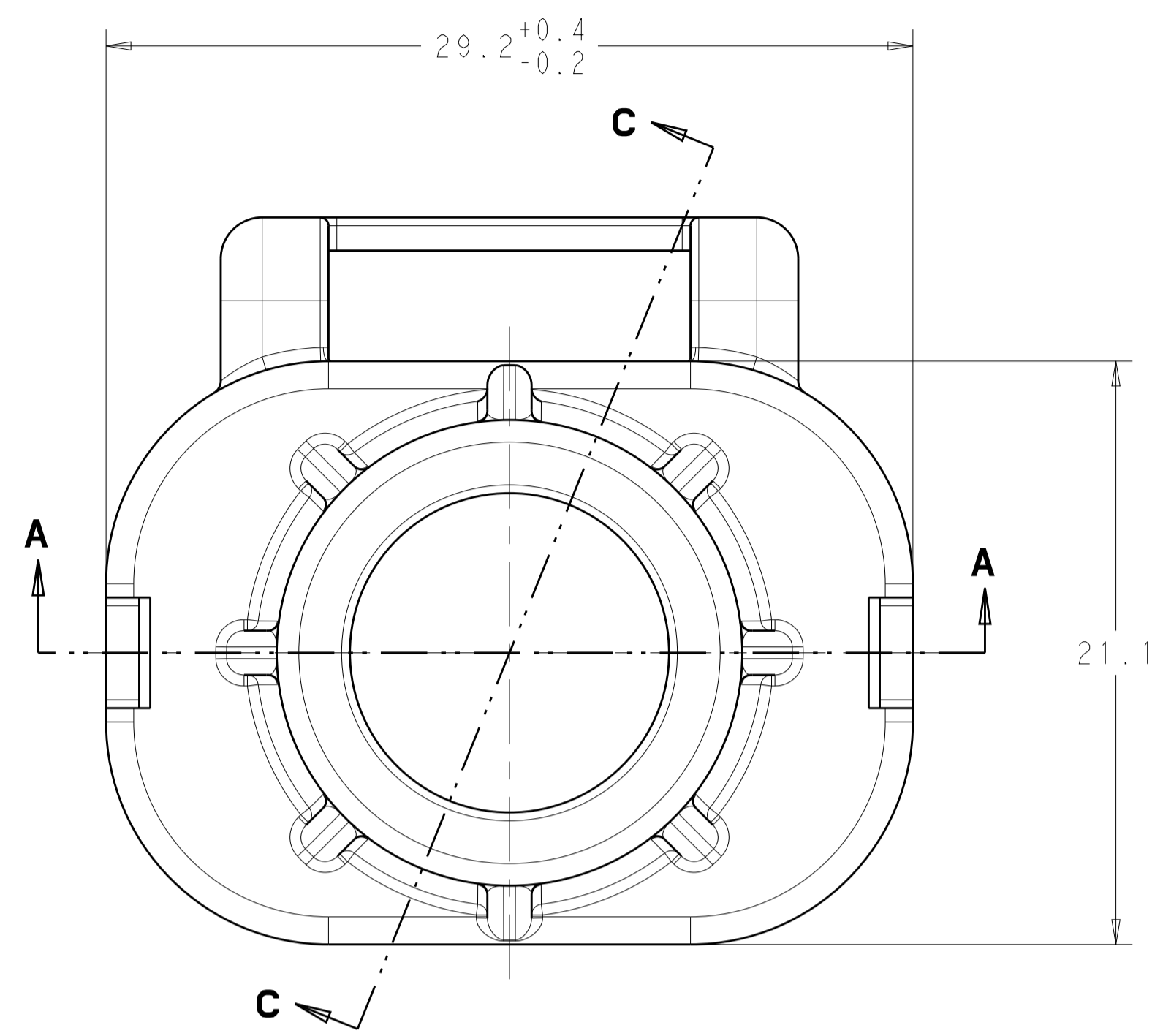


LOC		DIST		REVISIONS			
P	LTN	DESCRIPTION	DATE	DWN	APVD		
A		ECO-11-024207	02DEC2011	DR	DR		
B		ECO-12-013159	17JUL2012	DR	DR		
B1		ECO-13-012771	08AUG2013	DR	DR		
B2		ECO-13-016420	21OCT2013	DR	DR		



SCALE 2:1

⚠ MATERIAL:  
 TYPE: PA66 33%GF  
 COLOR: SEE TABLE

60°	10.55	13.55	3.85g	ORANGE	B	2103013-3
60°	10.55	13.55	3.85g	BLACK	B	2103013-2
30°	11.55	14.45	3.42g	ORANGE	B	2103013-1
L	K	J	WEIGHT	COLOR	REV	PART NO.

SECTION A-A

SECTION C-C

THIS DRAWING IS A CONTROLLED DOCUMENT.

DIMENSIONS:	TOLERANCES UNLESS OTHERWISE SPECIFIED:	DWN	03JAN2011	TE Connectivity NAME: CABLE SEAL RETAINER, HVA280 MULTI-CORE PRODUCT SPEC: APPLICATION SPEC: SIZE: CAGE CODE: DRAWING NO: RESTRICTED TO:
mm	0 PLC ± 1 PLC ±0.2 3 PLC ±0.10 4 PLC ± ANGLES ±	CHK	29MAR2011	
	FINISH	APVD	29MAR2011	
MATERIAL				

WEIGHT: SEE TABLE A100779C=2103013  
 Customer Drawing SCALE 5:1 SHEET 1 OF 1 REV B2