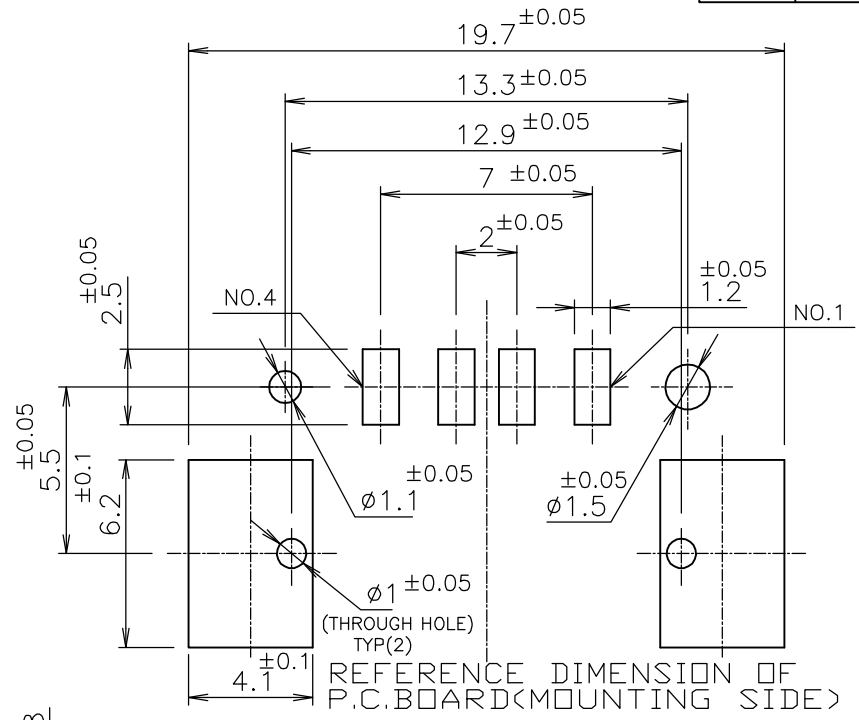
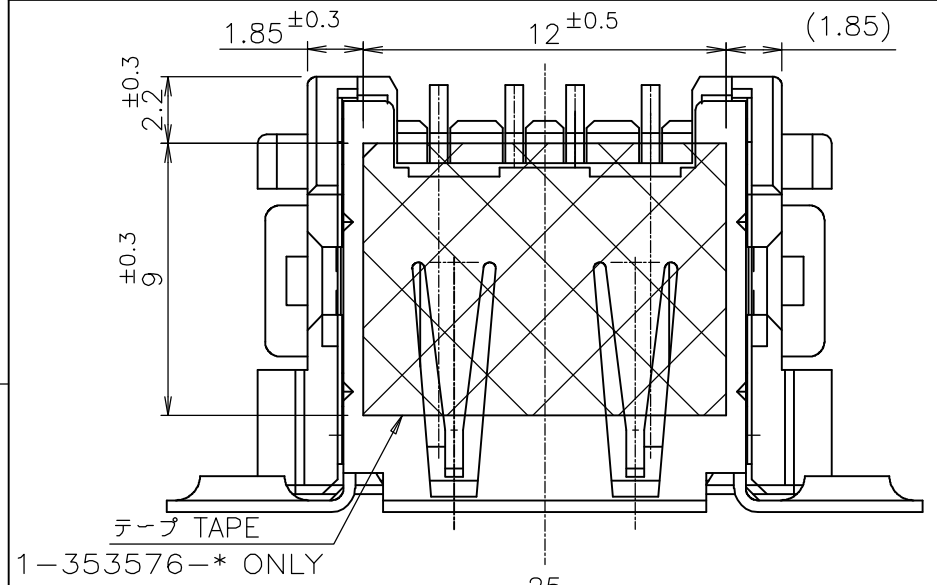


THIS DRAWING IS UNPUBLISHED. RELEASED FOR PUBLICATION

© COPYRIGHT BY TYCO ELECTRONICS CORPORATION. ALL RIGHTS RESERVED.

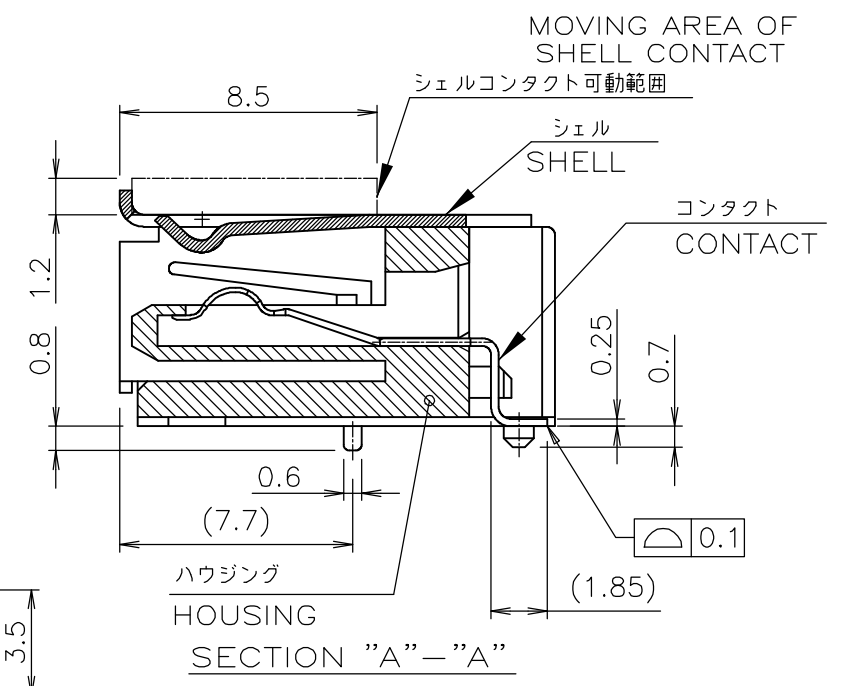
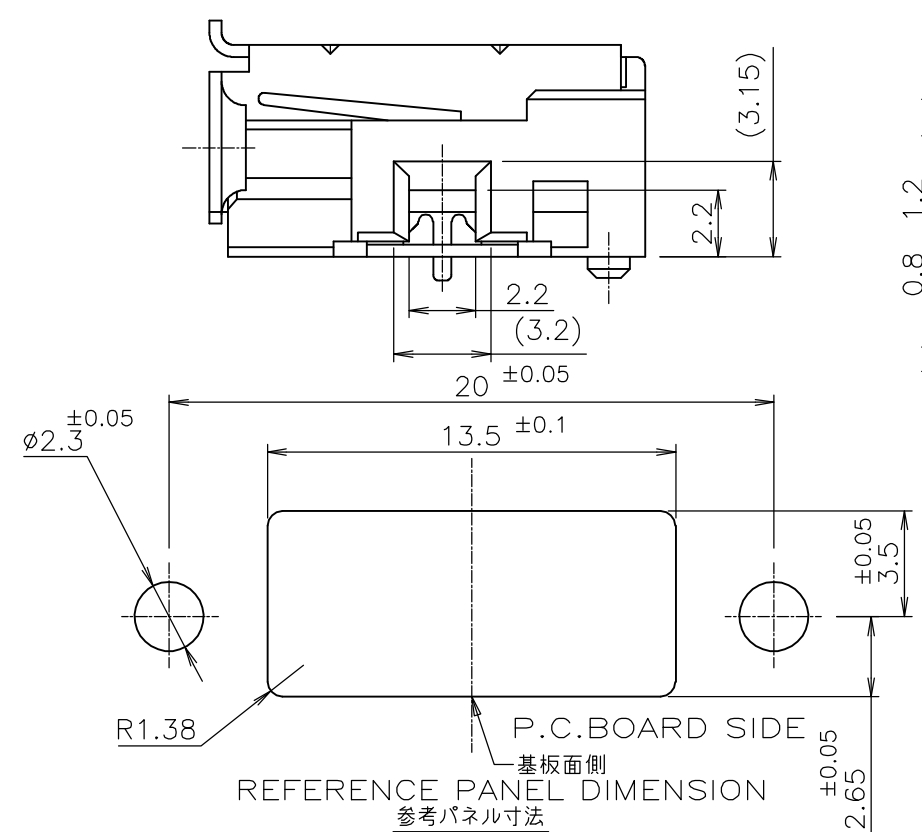
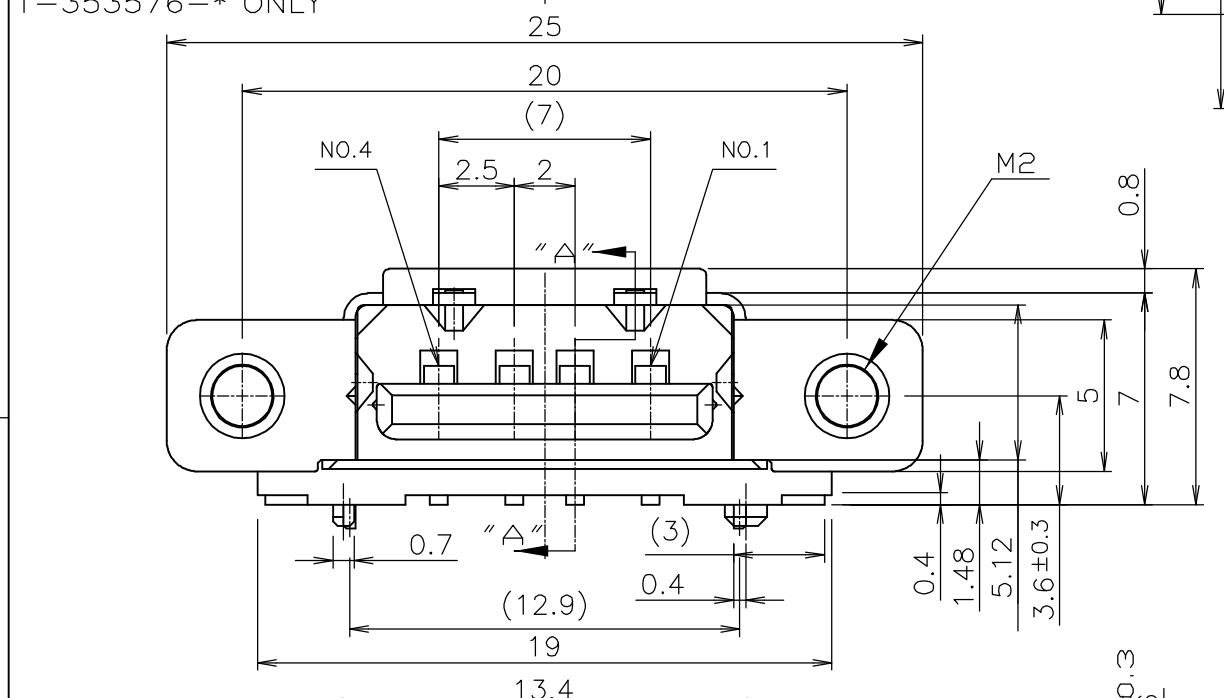
LOC J DIST -

REVISIONS			DATE	DWN	APVD
P	LTR	DESCRIPTION			
E		REVISED	09AUG05	Y.W	Y.Y



注記
 ▲ 材料及び表面処理
 コンタクト: 銅合金
 ニッケル下地
 接触部: パラジウムニッケルめっき上に金めっき
 タイン部: 半田めっき
 ハウジング: 熱可塑性樹脂, UL94V-0
 シェル: 銅合金
 半田めっき

NOTES
 ▲ MATERIAL & FINISH
 CONTACT: COPPER ALLOY
 Au PL. ON Pd-Ni PL. AT CONTACT AREA OVER Ni PL.
 TIN-LEAD PL. AT TINE AREA OVER Ni PL.
 HOUSING: THERMO-PLASTICS, UL94V-0
 SHELL: COPPER ALLOY, TIN-LEAD PL.



HOUSING COLOR	REMARKS	PART NO.
BLACK	WITH TAPE	1-353576-2
WHITE	WITH TAPE	1-353576-1
WHITE	WITH OUT TAPE	353576-1

THIS DRAWING IS A CONTROLLED DOCUMENT.

DWN Y. WATANABE 21JAN'97	Tyco Electronics AMP K.K. Kawasaki, Japan
CHK T. YAMADA 22JAN'97	
APVD T. YAMADA 22JAN'97	NAME 名称
PRODUCT SPEC 製品規格 108-5563	RECEPTACLE ASSY R/A SMT REVERSE TYPE USB CONNECTOR
APPLICATION SPEC 取付適用規格	SIZE A3 CAGE CODE 00779 DRAWING NO. 番号 C-353576 RESTRICTED TO -
MATERIAL 材料	WEIGHT
FINISH 仕上	CUSTOMER DRAWING

SCALE 尺度 4:1 SHEET 1 OF 1 REV E