

P		LTR	REVISIONS ÄNDERUNGEN DESCRIPTION BESCHREIBUNG	DATE	DWN	APVD
	A1		NEW DRAWING	08MAY2014	YR	CS

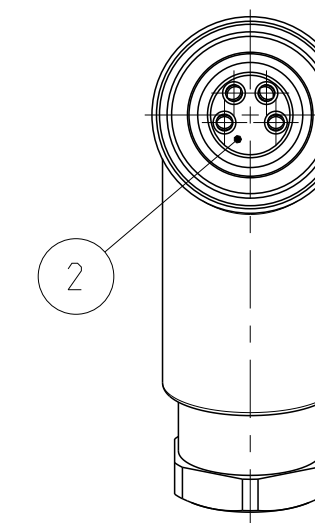
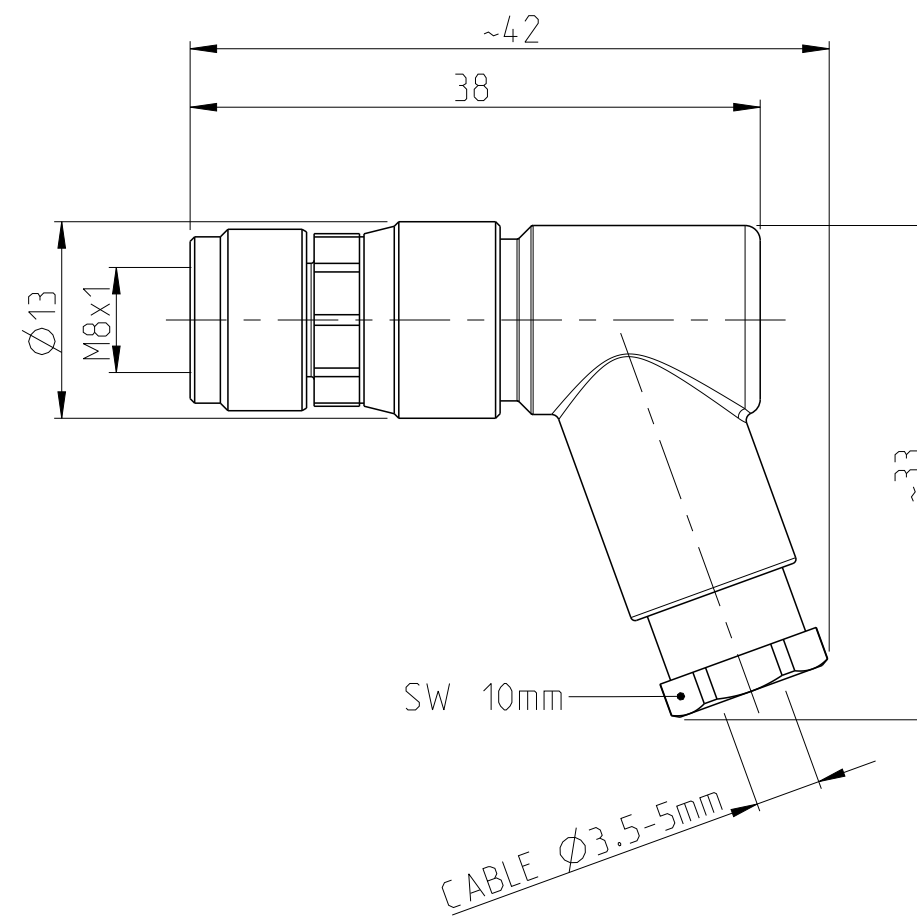
- 1 MATERIAL: ITEM NO. 1: HOUSING - PBT
 ITEM NO. 2: CONTACT BODY - PA
 ITEM NO. 3: CONTACT - CuZn (brass)
 CONTACT FINISH - Au (gold)

2 ALL DIMENSIONS ARE FOR NOMINAL REFERENCE ONLY UNLESS OTHERWISE STATED

3 MEASUREMENT REFERENCE ONLY

4 PACKAGING: 1 PIECE IN A BAG

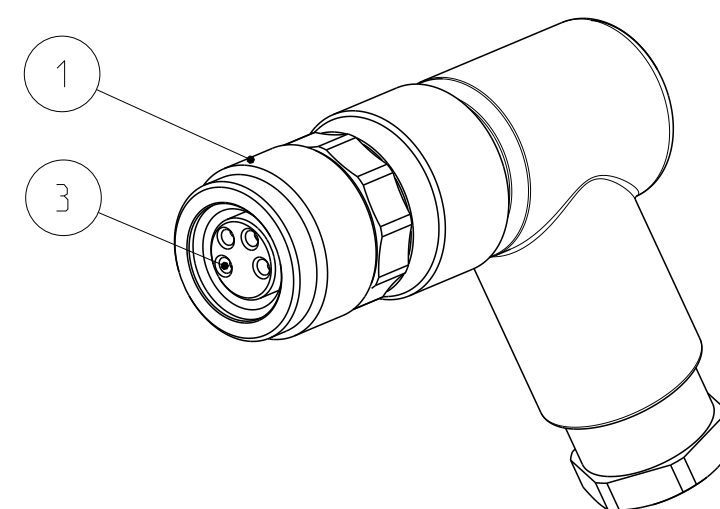
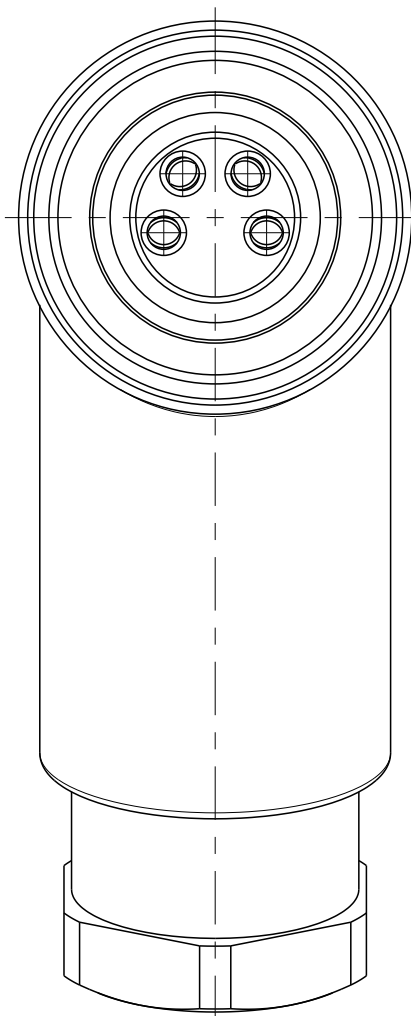
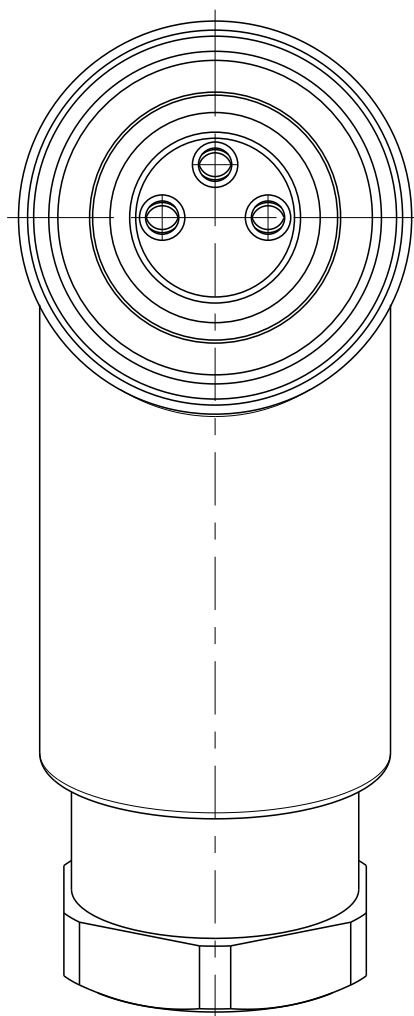
TECHNICAL DATA	0-2120957-1	1-2120957-1
RATED VOLTAGE	60V	30V
RATED IMPULSE VOLTAGE	800V	800V
POLLUTION DEGREE	3	3
OVERVOLTAGE CATEGORY	II	II
MATERIAL GROUP	III	III
RATED CURRENT	4A	4A
VOLUME RESISTIVITY	≤ 3mΩ	≤ 3mΩ
DEGREE OF PROTECTION	IP67	IP67
UPPER TEMPERATURE	+85 °C	+85 °C
LOWER TEMPERATURE	-40 °C	-40 °C



PIN ARRANGEMENT
(SCALE 5:1)

0-2120957-1

1-2120957-1



1-1 AS SHOWN
WIE GEZEICHNET

3.5-5	26-20 / 0,14-0,5mm ²	1	4	1-2120957-1
3.5-5	26-20 / 0,14-0,5mm ²	1	3	0-2120957-1
CABLE FEED-THROUGH mm	WIRES AWG / mm ²	MATERIAL	NUMBER OF POLES	TE-PART-NO.

DIESE ZEICHNUNG IST EIN KONTROLLIERTES DOKUMENT.
BEMASSUNGEN UND TOLERANZEN GEMAESS GPS (ISO STANDARDS).

THIS DRAWING IS A CONTROLLED DOCUMENT.
DIMENSIONING AND TOLERANCING PER GPS (ISO STANDARDS).

DWN YASHKUMAR 08MAY2014
CHK M. STRELOW 08MAY2014
APVD C. SCHRETLINGER 08MAY2014

STE TE Connectivity

NAME: M8 90 DEG ANGLED FIELD INSTALLABLE, RECEPTACLE UNSHIELDED CONNECTOR, SOLDER TERMINALS.

SIZE: A2 CAGE CODE: 100779 DRAWING NO: C-2120957 RESTRICTED TO NUR FUER: -

MATERIAL: - FINISH/OBERFLAECHE/FARBE: - WEIGHT GEWICHT: - Customer Drawing /KUNDENZEICHNUNG SCALE MASSSTAB: 2:1 SHEET BLATT: 1 OF VON 1 REV: A1

SIZE ISO 14405 (E)