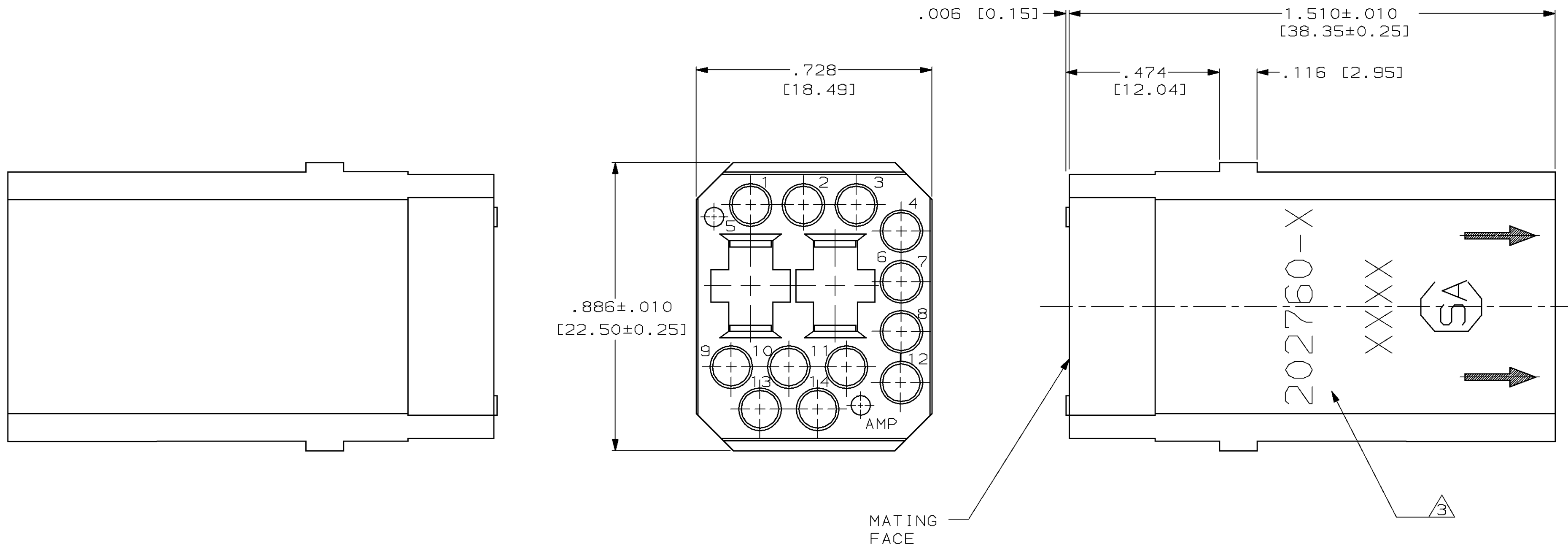


| LOC | DIST | P | F | ZONE | LTR | REVISIONS | | | |
|-----|------|---|---|------|-----|-----------------------|------|----------|-----|
| | | | | | | DESCRIPTION | DATE | APPD | |
| DF | BO | | | | G | REV & REDRAWN DF-4297 | PY | 11-91 | DBM |
| | | | | | H | REV PER 0600-4161-95 | JB | 08-30-95 | DBM |



- ① MATERIAL: PHENOLIC PER MIL-M-14, TYPE CFG OR MFH, COLOR: BLACK
- ② MATERIAL: DIALLYL PHTHALATE PER MIL-M-14, TYPE SDG-F, COLOR: BLUE
- ③ AMP PART NO, DATE CODE, CSA CERT, AND ARROWS MARKED WITH WHITE INK OR BY LASER MARKING AT APPROX AREA SHOWN, EITHER SIDE

4. THIS MODULE WILL ACCOMMODATE:
 (2) TYPE XII FEMALE CONTACTS
 AND
 (12) SUBMINIATURE COAXICON, TYPE II SIZE 16,
 TYPE III(+) SIZE 16 OR TYPE VI SIZE 16
 SOCKET CONTACTS

5. THIS MODULE MATES WITH 202759

| | |
|----------|-------------|
| ② | 202760-4 |
| ① | 202760-2 |
| MATERIAL | PART NUMBER |

| | | | | | |
|--|--|--------------------------|--|--|--|
| DO NOT SCALE PRINT. UNLESS SPECIFIED DIMENSIONS IN INCHES [mm] | | DR 9-12-91 P.YEAGER | | AMP AMP Incorporated Harrisburg, PA 17105-3608 | |
| TOLERANCES ON : | | CHK 11-12-91 D.B.MUMMEY | | NAME | |
| 2 PLC DEC ± - | | APPD 11-12-91 D.B.MUMMEY | | FEMALE BLOCK G SERIES, 14 POSN | |
| 3 PLC DEC ± .005 | | APPD - | | | |
| ANGLES ± - | | PRODUCT SPEC - | | SIZE | |
| MATERIAL SEE TABLE | | APPLICATION SPEC - | | CAGE CODE 00779 | |
| FINISH - | | WEIGHT - | | DRAWING NO 202760 | |
| | | | | SCALE 4:1 | |
| | | | | SHEET 1 OF 1 | |