

Customer Information Sheet

DRAWING No.: M50-393XX42

SHEET 2 OF 2

IF IN DOUBT - ASK

©

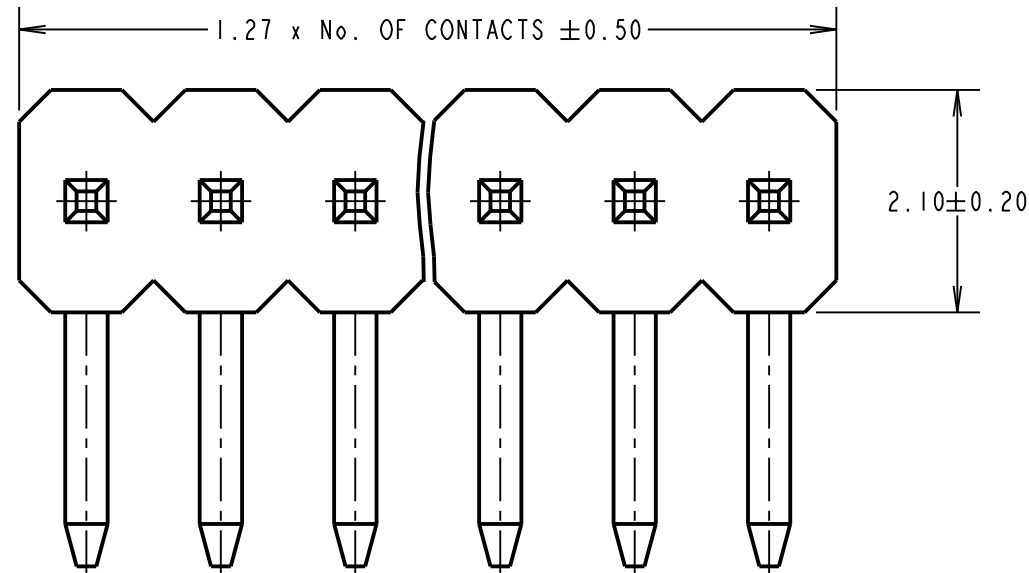
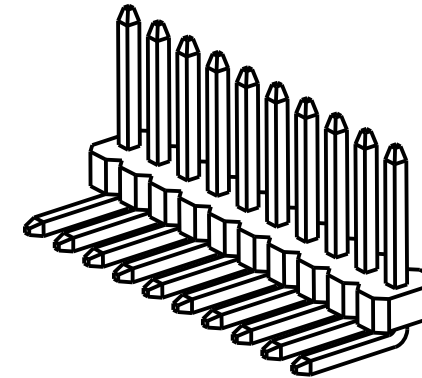
NOT TO SCALE

THIRD ANGLE PROJECTION

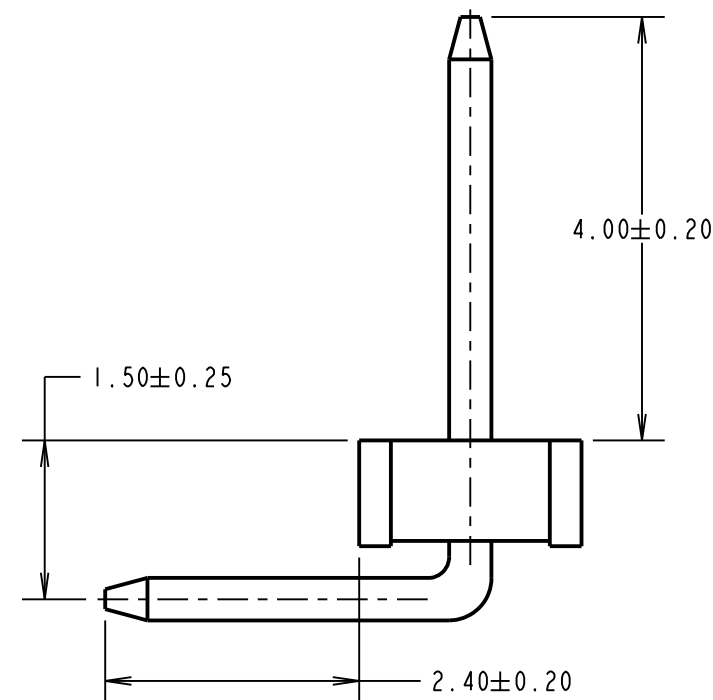
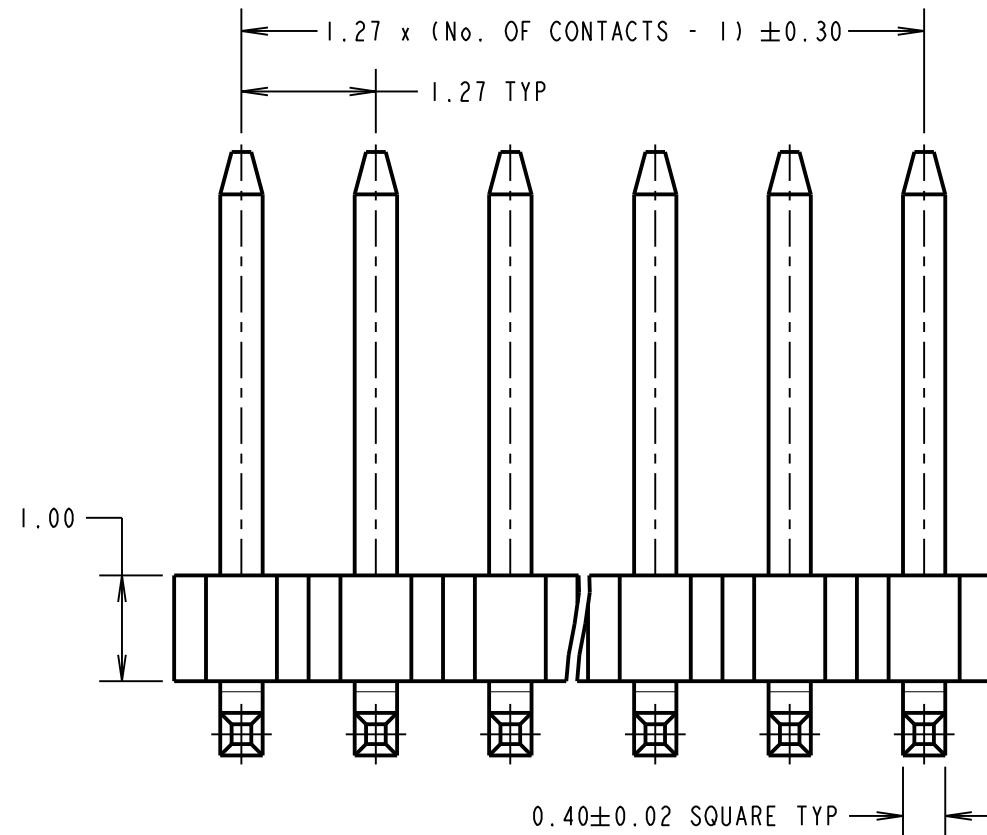
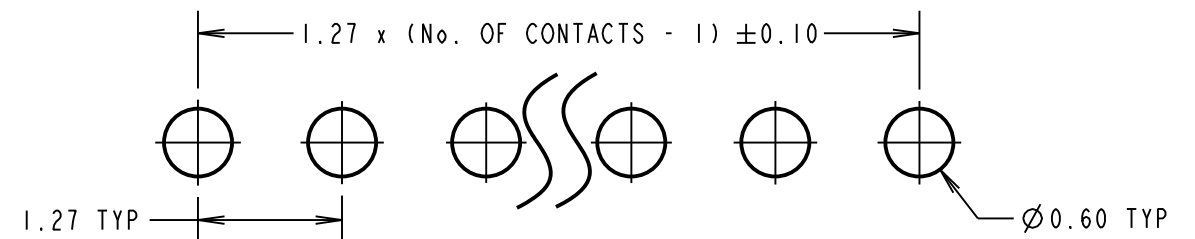
ALL DIMENSIONS IN mm

ORDER CODE:
M50-393XX42
No. OF CONTACTS: _____
02 TO 06, 08, 10 & 20

SPECIFICATION:
MATERIAL:
MOULDING = PA9T, UL94V-0, BLACK
CONTACTS = BRASS
FINISH = 0.76-1.52µ NICKEL ALL OVER,
0.012µ MIN GOLD ON CONTACT AREA,
2.54-5.08µ 100% TIN ON TAILS
ELECTRICAL:
CURRENT RATING = 1A
CONTACT RESISTANCE = 20mΩ MAX
INSULATION RESISTANCE = 1000MΩ MIN
VOLTAGE PROOF = 500V AC FOR ONE MINUTE
MECHANICAL:
DURABILITY = 500 CYCLES
ENVIRONMENTAL:
OPERATING TEMPERATURE = -40°C TO +105°C
PACKING:
BOX
FOR COMPLETE SPECIFICATION, SEE COMPONENT SPECIFICATION C029XX (LATEST ISSUE)



RECOMMENDED PCB LAYOUT
(TOLERANCE = ±0.05)



MSP	1	01.08.16	----
NAME	ISS.	DATE	C/NOTE
APPROVED:		M. PERREN	
CHECKED:		S. BENNETT	
DRAWN:		M. PERREN	
CUSTOMER REF.:			
ASSEMBLY DRG:			

HARWIN
www.harwin.com
technical@harwin.com

THIS DRAWING AND ANY INFORMATION OR DESCRIPTIVE MATTER SET OUT HEREON ARE CONFIDENTIAL AND COPYRIGHT PROPERTY OF THE HARWIN GROUP AND MUST NOT BE DISCLOSED, LOANED, COPIED OR USED FOR MANUFACTURING, TENDERING OR FOR ANY OTHER PURPOSE WITHOUT THEIR WRITTEN PERMISSION.

TOLERANCES
X. = ±1mm
X.X = ±0.50mm
X.XX = ±0.10mm
X.XXX = ±0.01mm
ANGLES = ±5°
UNLESS STATED

MATERIAL:
SEE ABOVE
FINISH: SEE ABOVE
S/AREA: mm²

TITLE:
1.27mm PITCH SIL HORIZONTAL PC TAIL HEADER
DRAWING NUMBER:
M50-393XX42
SHT 2 OF 2