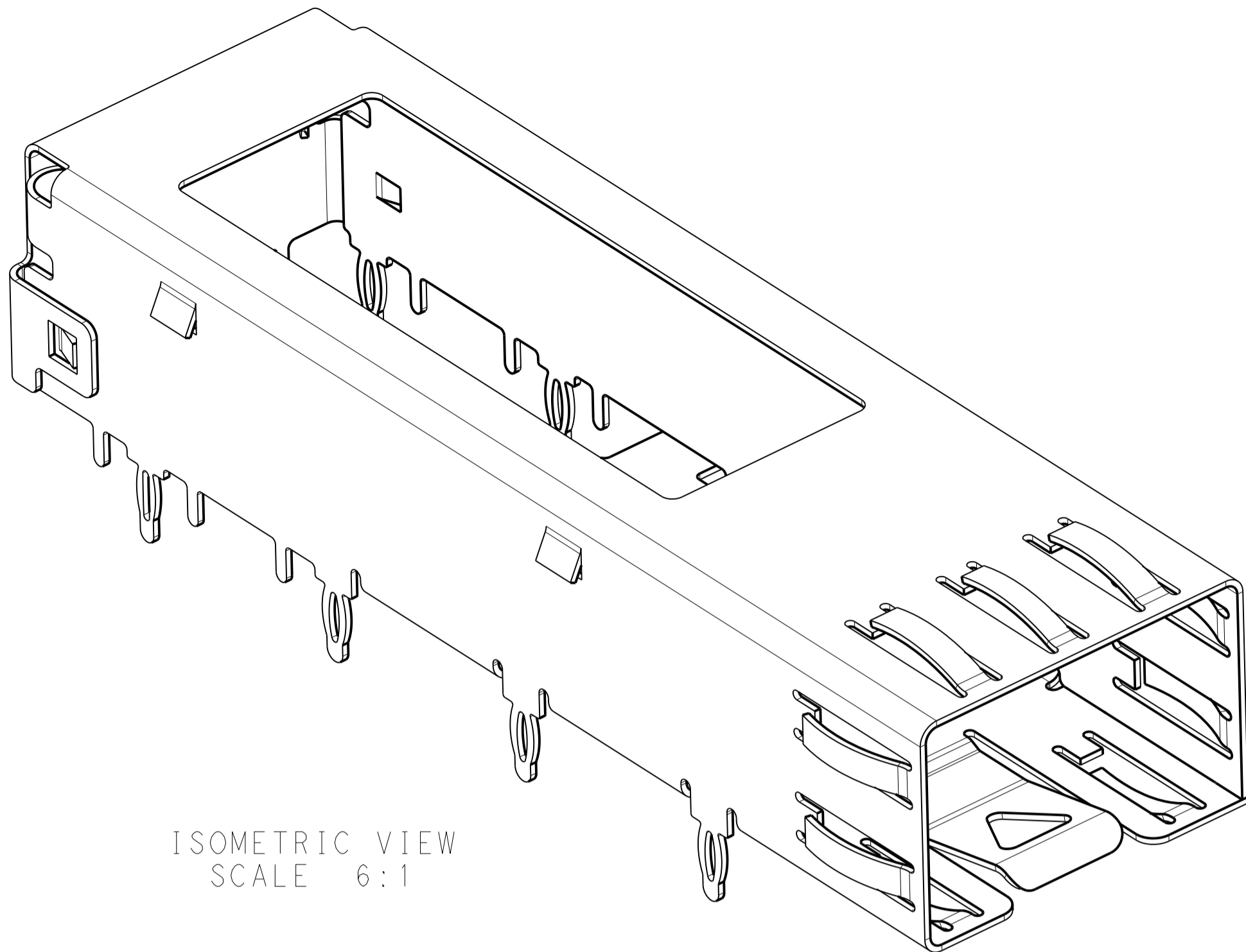
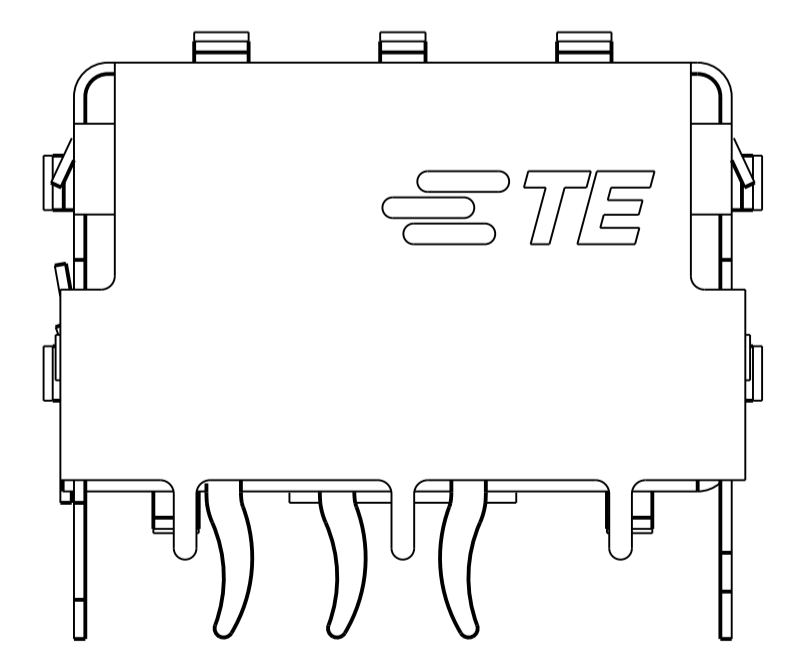
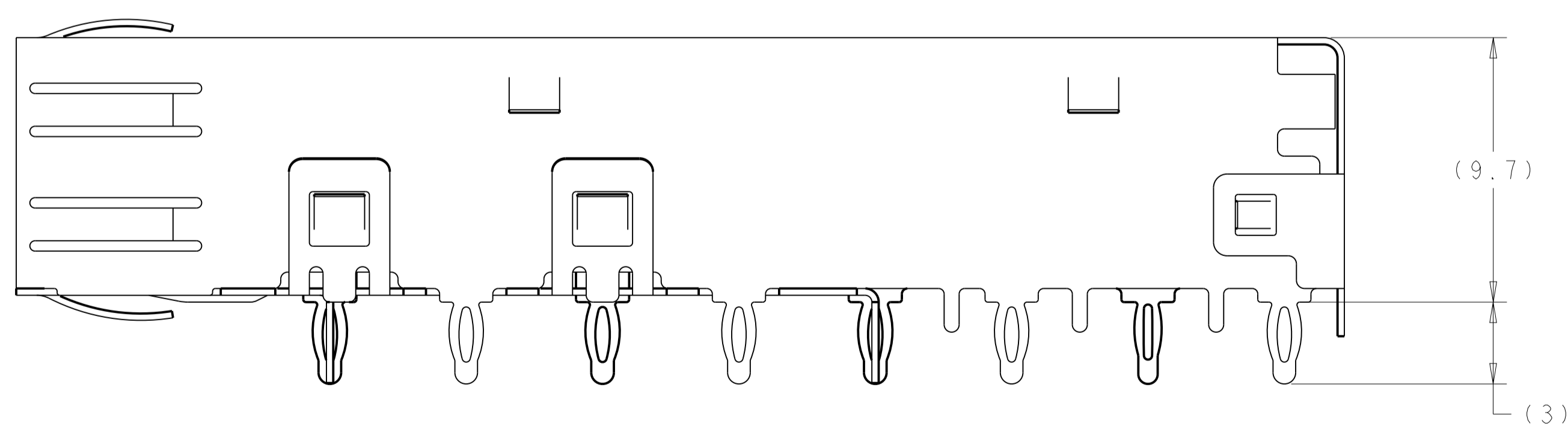
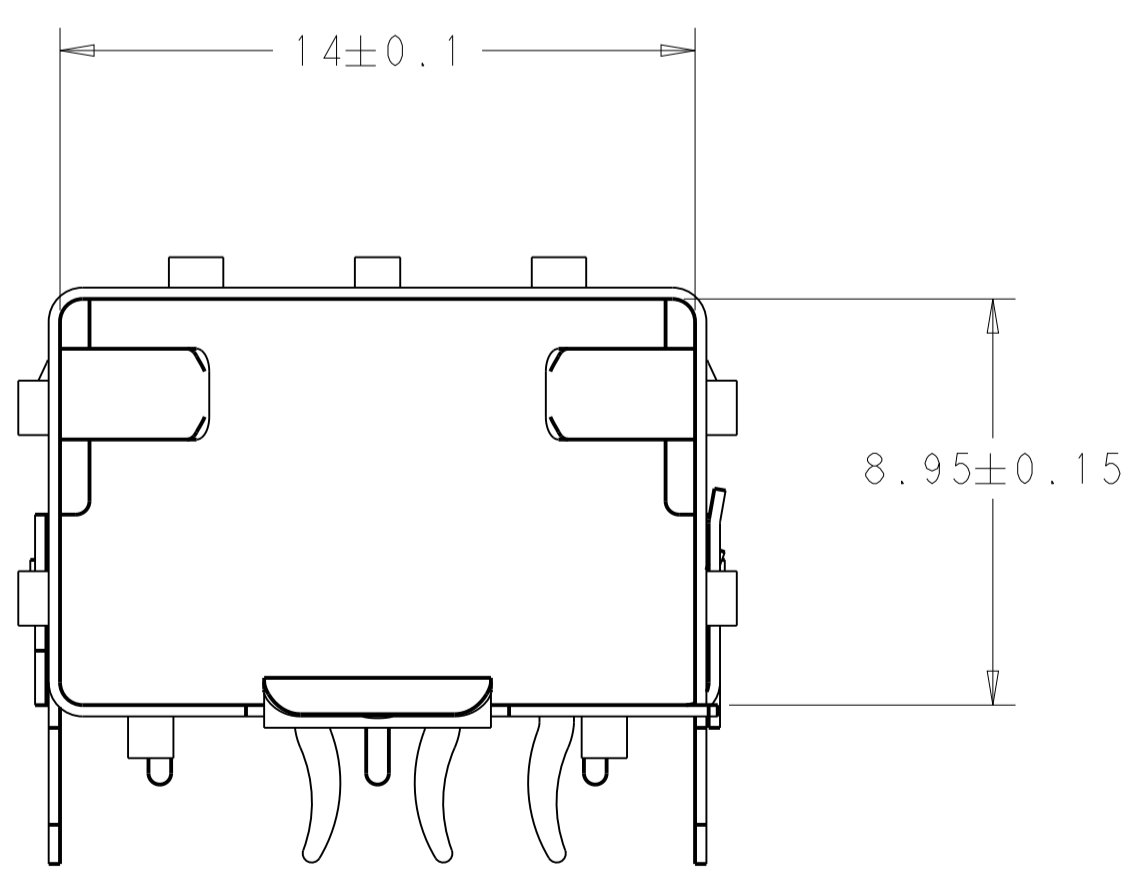
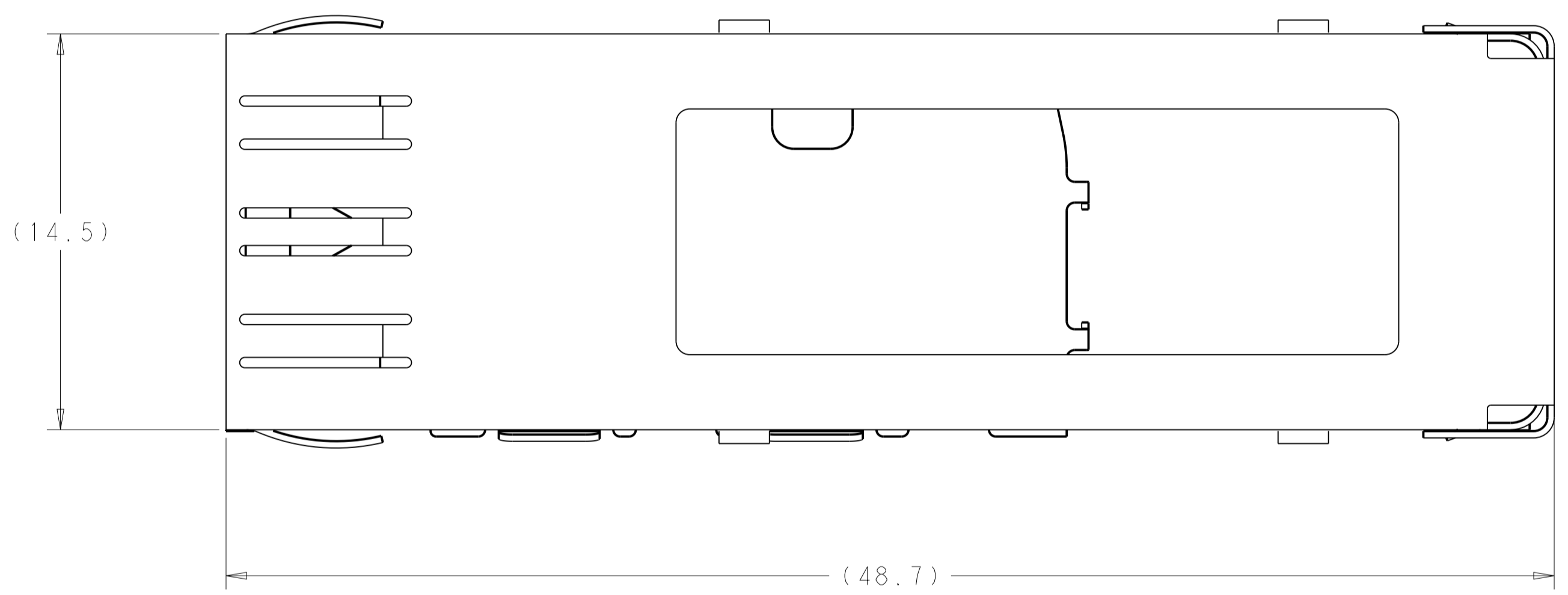


LOC	DIST	REVISIONS					
		P	LTN	DESCRIPTION	DATE	DWN	APVD
GP	00	A		INITIAL RELEASE	21MAY2014	CW	SH



ISOMETRIC VIEW
SCALE 6:1

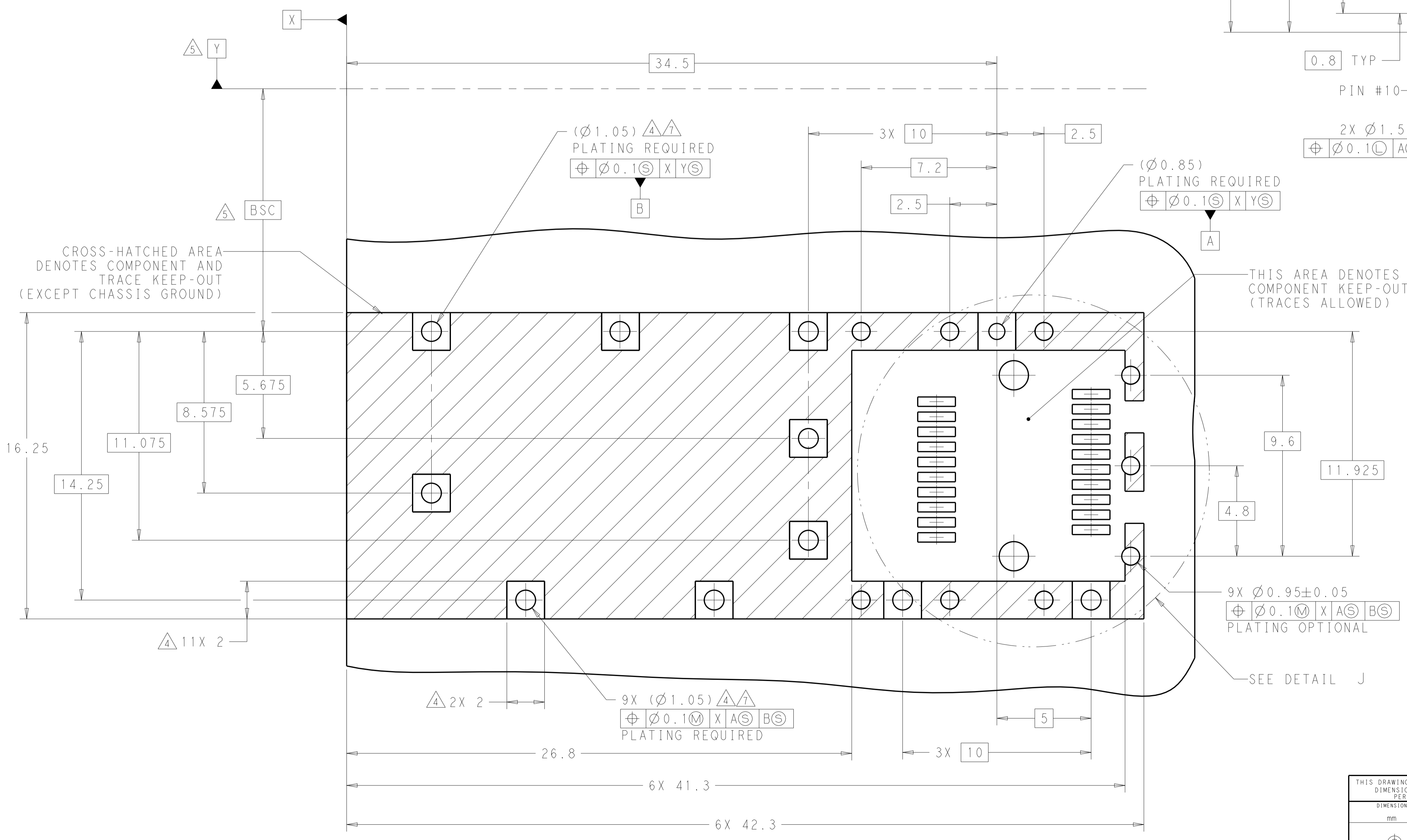
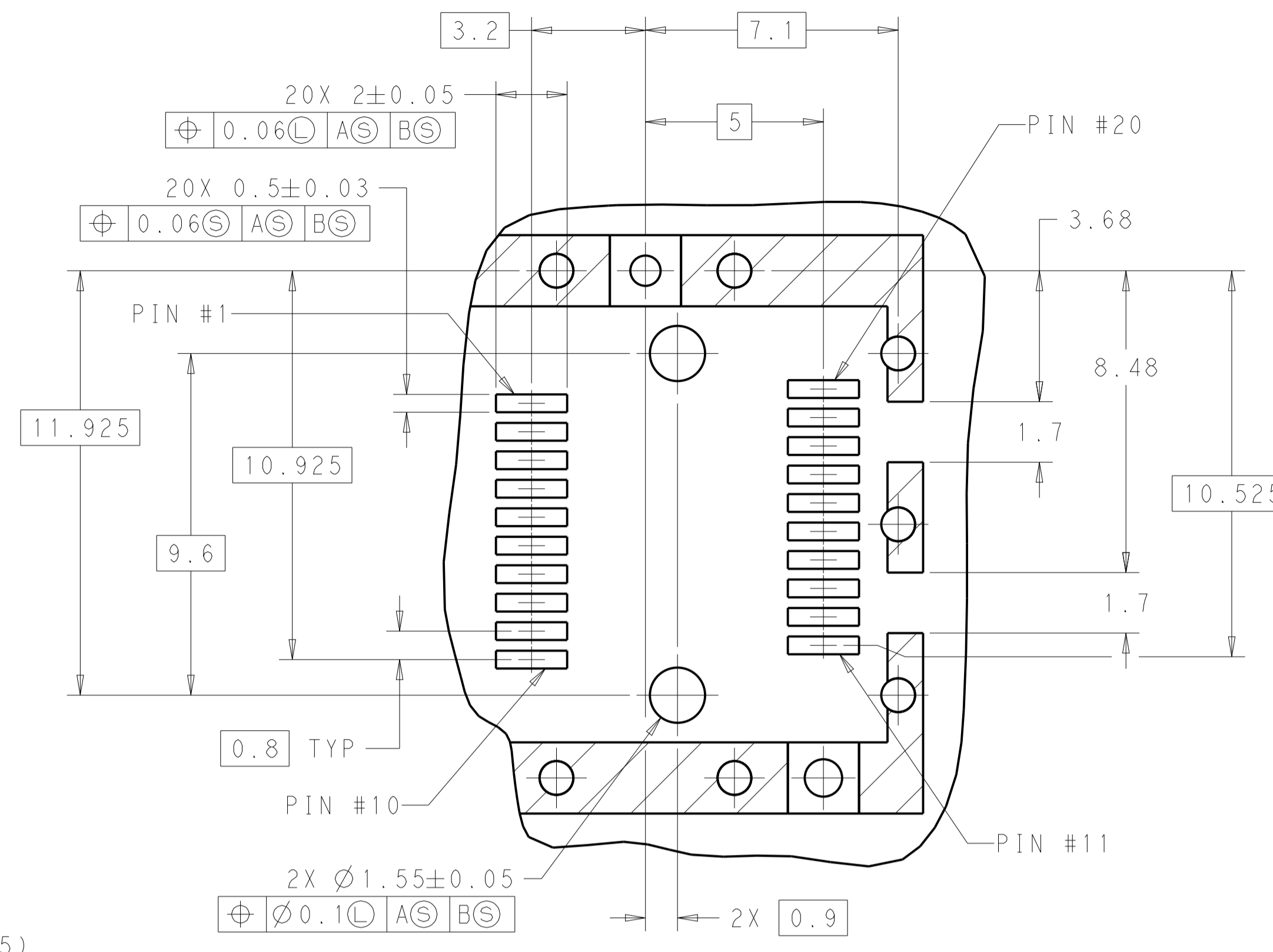
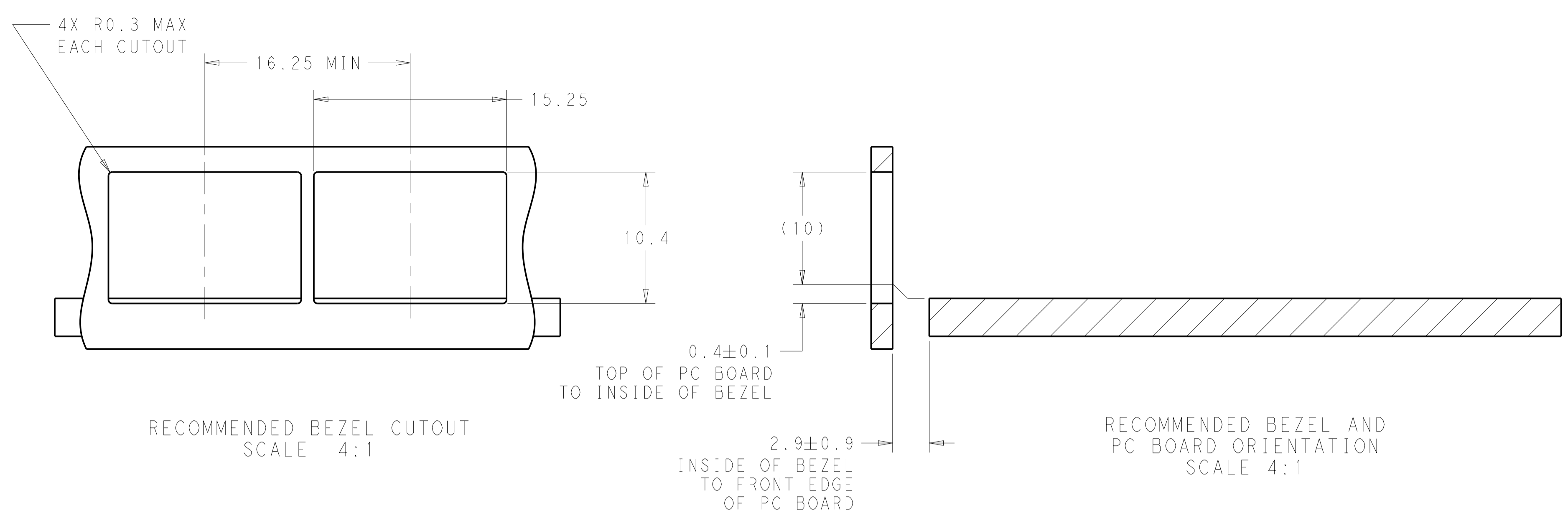
- 1 MATERIAL: 0.25mm THICK STAINLESS STEEL.
- 2 FINISH: NICKEL, NON PLATED EDGES PERMISSIBLE.
- 3. MATES WITH SFP MSA COMPLIANT TRANSCEIVERS.
- 4 PADS AND VIAS CHASSIS GROUND.
- 5 DATUM AND BASIC DIMENSION ESTABLISHED BY CUSTOMER.
- 6. MINIMUM PC BOARD THICKNESS:
SINGLE SIDED = 1.50 mm
DOUBLE SIDED = 3.00 mm
- 7 REFERENCE APPLICATION SPEC. 114-13120, HOLE A, FOR RECOMMENDED DRILL HOLE DIAMETER AND PLATING THICKNESS(EXCEPT IMMERSION SILVER PLATING).
- 8 REFERENCE APPLICATION SPEC. 114-13120, HOLE C, FOR RECOMMENDED DRILL HOLE DIAMETER AND PLATING THICKNESS(EXCEPT IMMERSION SILVER PLATING).
- 9. THE RECOMMENDED DIMENSIONS FOR HOLES ON PAGE 2/2 ARE NOT COMPATIBLE WITH IMMERSION SILVER PLATING HOLES BECAUSE OF OVERLARGE INSERTION FORCE.



2227316-1
PART NUMBER

THIS DRAWING IS A CONTROLLED DOCUMENT. DIMENSIONING AND TOLERANCING PER ASME Y14.5M-2009		DWN C. VALENTINE 06NOV2012	TE Connectivity NAME SFP, 1X1 SINGLE PIECE CAGE, 11 PRESS FIT, HEAT SINK OPENING
DIMENSIONS: mm		CHK M. SCHMITT 06NOV2012	
TOLERANCES UNLESS OTHERWISE SPECIFIED:		APVD M. SCHMITT 06NOV2012	PRODUCT SPEC 108-1950
0 PLC ±. 1 PLC ±0.2 2 PLC ±0.1 3 PLC ±0.1 4 PLC ±. ANGLES ±. FINISH		APPLICATION SPEC 114-13120	RESTRICTED TO
MATERIAL		WEIGHT	SIZE CAGE CODE DRAWING NO A100779C=2227316
Customer Drawing		SCALE 6:1	SHEET 1 OF 2 REV A

LOC	DIST	REV	DESCRIPTION	DATE	DWN	APVD
GP	00		SEE SHEET 1			



THIS DRAWING IS A CONTROLLED DOCUMENT. DIMENSIONING AND TOLERANCING PER ASME Y14.5M-2009		DWN: C. VALENTINE 06NOV2012 CHK: M. SCHMITT 06NOV2012 APVD: M. SCHMITT 06NOV2012	TE Connectivity NAME: SFP, 1X1 SINGLE PIECE CAGE, 11 PRESS FIT, HEAT SINK OPENING PRODUCT SPEC: 108-1950 APPLICATION SPEC: 114-13120 WEIGHT: - Customer Drawing
DIMENSIONS: mm	TOLERANCES UNLESS OTHERWISE SPECIFIED:	SIZE: A1 CAGE CODE: 00779 DRAWING NO: C=2227316 SCALE: 6:1 SHEET: 2 OF 2 REV: A	