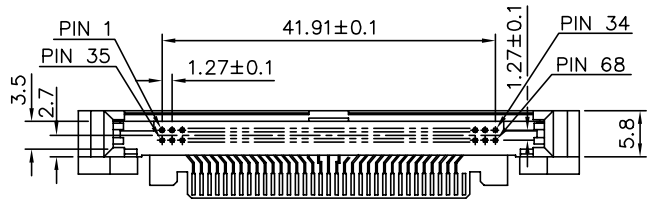
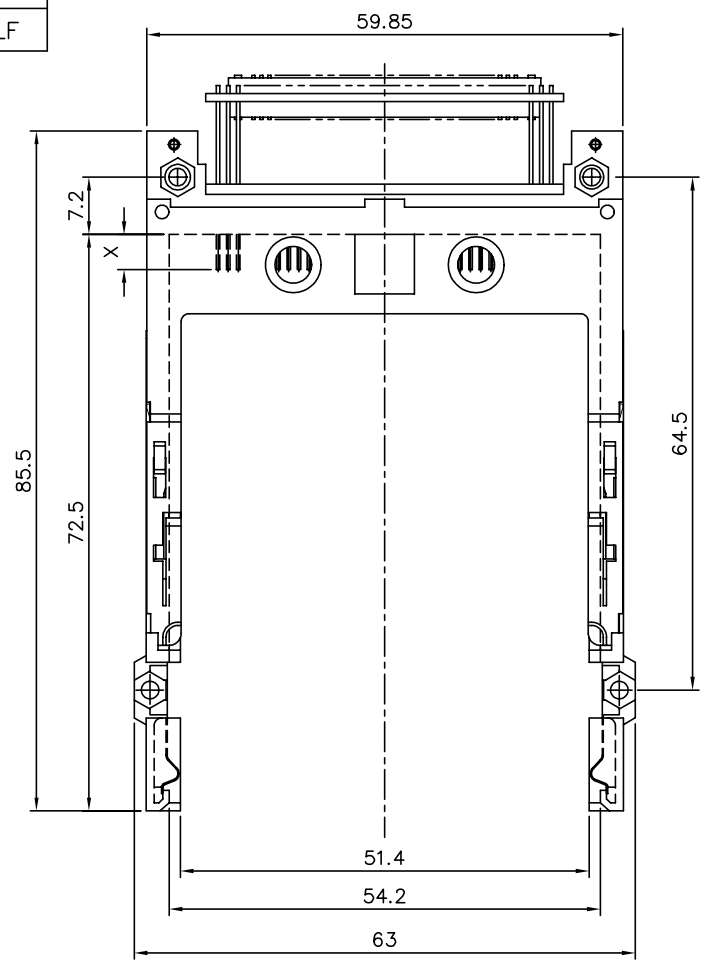


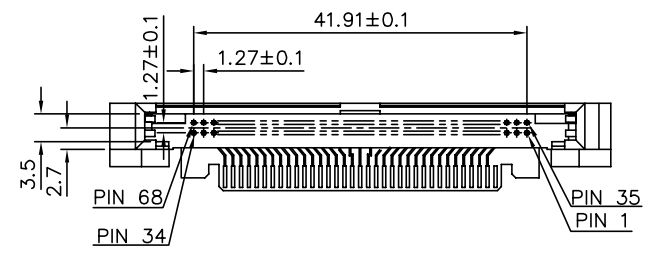
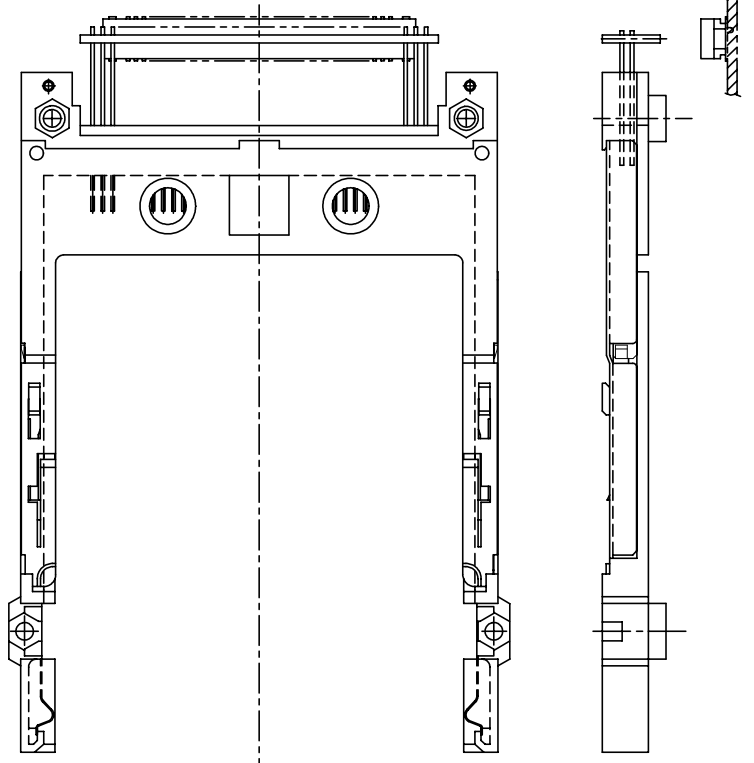
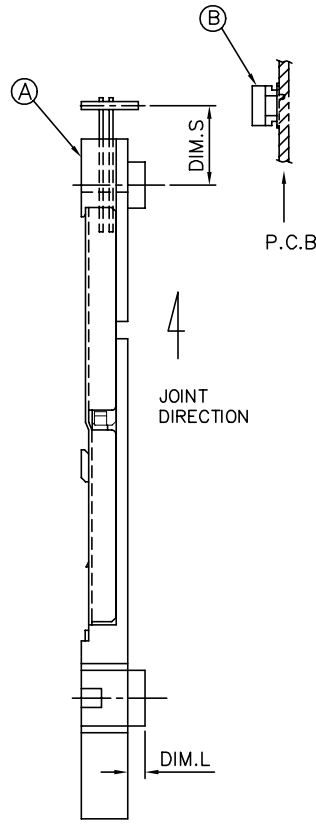
FCI CONFIDENTIAL

FCI  
FCIconnect.com

|             |  |
|-------------|--|
| PRODUCT NO. |  |
| 88640-***   |  |
| 88640-***LF |  |



ABOVE P.C.B(P.C.B LAYOUT SEE PAGE 3,4)



BELOW P.C.B( P.C.B LAYOUT SEE PAGE 5,6)

|                    |                |                                       |   |           |        |                      |   |  |  |
|--------------------|----------------|---------------------------------------|---|-----------|--------|----------------------|---|--|--|
| mat'l. code        |                | surface                               |   | tolerance |        | projection           |   | product family                               |  |
|                    |                | ISO 1302                              |   | ISO 406   |        | ISO 1181             |   |  |  |
| ltr ecn no dr date |                | tolerances unless otherwise specified |   | linear    |        | MM                   |   | EJECTOR HEADER ASS'Y<br>68POS. SMT TYP 1/2/3 |  |
| E                  | T90210         | W                                     | L | 05/24/99  | angles | ±0.30                |   | scale 1:1                                    |  |
| F                  | T04-0205       | W                                     | L | 05/13/04  | linear |                      |   | dwg no 88640 sheet 1 of 6 size A4            |  |
| G                  | N05-0156       | W                                     | B | 06/15/05  | ±2'    |                      |   | type CUSTOMER Drawing                        |  |
| H                  | N08-0099       | MZ                                    |   | 12/11/07  | dr     | WENDY CHEN 12/19/95  |   |  |  |
| J                  | ELX-N-011428   | ZK                                    |   | 04/10/12  | enr    | JOSEPH HSIA 12/19/95 |   |  |  |
|                    |                |                                       |   |           | chr    | JOSEPH HSIA 12/19/95 |   |  |  |
|                    |                |                                       |   |           | app    | JENN TSAO 12/19/95   |   |  |  |
| sheet index        | revision sheet | J                                     | J | J         | J      | J                    | J |  |  |
|                    |                | 1                                     | 2 | 3         | 4      | 5                    | 6 |  |  |

FCI CONFIDENTIAL

FCI

This document is the property of and embodies CONFIDENTIAL and PROPRIETARY information of FCI. No part of this information shown on this document may be used in any way or disclosed to others without the written consent of FCI. Copyright FCI.

A

B

C

D

|               |        |                      |                              |       |                             |              |
|---------------|--------|----------------------|------------------------------|-------|-----------------------------|--------------|
| BELOW         | 0      | 88640-155/155LF      | 91931-31169<br>91931-31169LF | 6.55  | NO                          | LAYOUT 6-1   |
|               | 5      | 88640-150/150LF      |                              | -0.3  | YES                         | LAYOUT 6-2   |
|               | 0      | 88640-145/145LF      |                              | 6.55  | NO                          | LAYOUT 6-1   |
|               | 4.3    | 88640-143/143LF      |                              | -0.3  | YES                         | LAYOUT 6-2   |
|               | 0      | 88640-125/125LF      |                              | 9.0   | NO                          | LAYOUT 5-1   |
|               | 2.2    | 88640-122/122LF      |                              | 2.15  | YES                         | LAYOUT 5-2   |
|               | 0      | 88640-100/100LF      |                              | 10.0  | NO                          | LAYOUT 4     |
| ABOVE         | 0      | 88640-055/055LF      | 91931-31169<br>91931-31169LF | 6.55  | NO                          | LAYOUT 3-1   |
|               | 5      | 88640-050H/050HLF    |                              | -0.3  | YES                         | LAYOUT 3-2   |
|               | 5      | 88640-050/050LF      |                              | -0.3  | YES                         | LAYOUT 3-2   |
|               | 5      | 88640-051/051LF      |                              | -0.3  | YES                         | LAYOUT 3-2   |
|               | 0      | 88640-045/045LF      |                              | 6.55  | NO                          | LAYOUT 3-1   |
|               | 4.3    | 88640-043/043LF      |                              | -0.3  | YES                         | LAYOUT 3-2   |
|               | 0      | 88640-025/025LF      |                              | 9.0   | NO                          | LAYOUT 2-1   |
|               | 2.2    | 88640-022/022LF      |                              | 2.15  | YES                         | LAYOUT 2-2   |
|               | 0      | 88640-000/000LF      |                              | 10.0  | NO                          | LAYOUT 1     |
| P.C.B. SIDE ① | DIM. L | Ⓐ EJECT HEADER ASS'Y | Ⓑ CONAN RECEPTACLE           | DIM.S | CAN BE USED FOR SINGLE DECK | P.C.B LAYOUT |

NOTES:

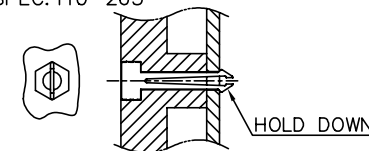
- P.C.B SIDE ARE AS APPEARS INSTALLED.
- MATERIAL
  - 2.1 HEADER ASS'Y :
    - PLASTIC :HOUSING ...HIGH TEMPERATURE THERMOPLASTIC UL94V-0 BLACK(ABOVE P.C.B)
    - ...HIGH TEMPERATURE THERMOPLASTIC UL94V-0 BLACK(BELOW P.C.B)
    - PIN :COPPER ALLOY
    - PCB : FR4
  - 2.2 EJECT MECHANISM ASS'Y :
    - PLASTIC :GUIDE:HIGH TEMPERATURE THERMOPLASTIC UL94V-0 BLACK
    - PLATE :STAINLESS
    - EMI CONTACT:PHOSPHOR BRONZE
- FINISH (PIN)
  - UNDER PLATING :0.5 um MIN. Ni
  - 1.27um Ni (ONLY FOR 88640-051LF)
  - CONTACT AREA :0.076 μm MIN. GOLD
  - SOLDER TAIL : 2.5 um MIN. Sn-Pb
  - : 2.5 um MIN. PURE Sn (FOR -\*\*\*\*LF)
- DIM "X"
 

|          |         |                  |
|----------|---------|------------------|
| 4.25±0.1 | 3.5±0.1 | 5.0±0.1          |
| OTHERS   | 36,67   | 1,17,34,35,51,68 |
- DO NOT TOUCH AND KEEP CLEAN THE SURFACES OF P.C.B OF HEADER.
- ADD "H" TO PART NUMBER FOR OPTIONAL HOLD DOWN (4 PER ASSEMBLY IN EJECT MECHANISM AND HEADER)
- IF LEAD FREE P.N.THE HOUSING WILL WITHSTAND EXPOSURE TO 260°C PEAK TEMPERATURE FOR 10 SECONDS IN A WAVE SOLDER APPLICATION WITH A 1.00MM MINIMUM THICK CIRCUIT BOARD.
- IF LEAD FREE P/N.THE PRODUCT MEETS EUROPEAN UNION DIRECTIVES AND OTHER COUNTRY REGULATIONS AS DESCRIBED IN GS-22-008
- LEAD FREE P/N PACKAGING MEETS GS-14-920 SPECIFICATION
- PRODUCT SPEC:110-263

ORDERING INFORMATION

| NAME                 | PART NO.    | Q'TY |
|----------------------|-------------|------|
| Ⓐ EJECT HEADER ASS'Y | 88640-XXXX  | 1    |
| Ⓑ MATING RECEPTACLE  | 91931-31169 | 1    |

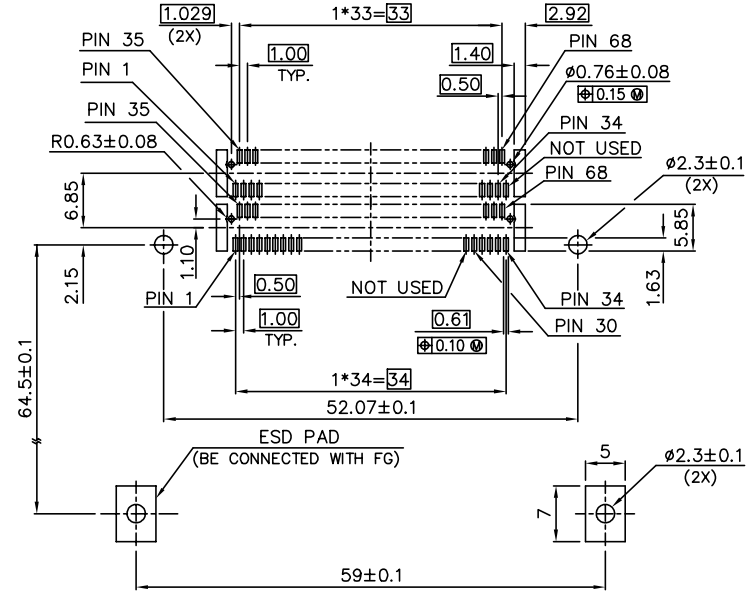
| NAME                 | PART NO.      | Q'TY |
|----------------------|---------------|------|
| Ⓐ EJECT HEADER ASS'Y | 88640-XXXXLF  | 1    |
| Ⓑ MATING RECEPTACLE  | 91931-31169LF | 1    |



|             |                                       |          |                       |            |  |
|-------------|---------------------------------------|----------|-----------------------|------------|--|
| mat'l. code |                                       | surface  | tolerance             | projection | product family                               |
|             |                                       | ISO 1302 | ISO 406 ISO 1181      |            |  |
| l           | tr                                    | ec       | n                     | o          | d  |
| date        | tolerances unless otherwise specified |          |                       |            |  |
| J           | angles                                | linear   | ±0.30                 | MM         | EJECTOR HEADER ASS'Y<br>68POS. SMT TYP 1/2/3 |
|             | ±2'                                   |          |                       | scale 1:1  |  |
| dr          | WENDY CHEN                            | 12/19/95 | dwg no                |            |  |
| enr         | JOSEPH HSIA                           | 12/19/95 | sheet 2 of 6          |            |  |
| chr         | JOSEPH HSIA                           | 12/19/95 | 88640                 |            |  |
| app         | JENN TSAO                             | 12/19/95 | A4                    |            |  |
| sheet index |                                       | revision | type CUSTOMER Drawing |            |  |
|             |                                       | sheet    |                       |            |  |

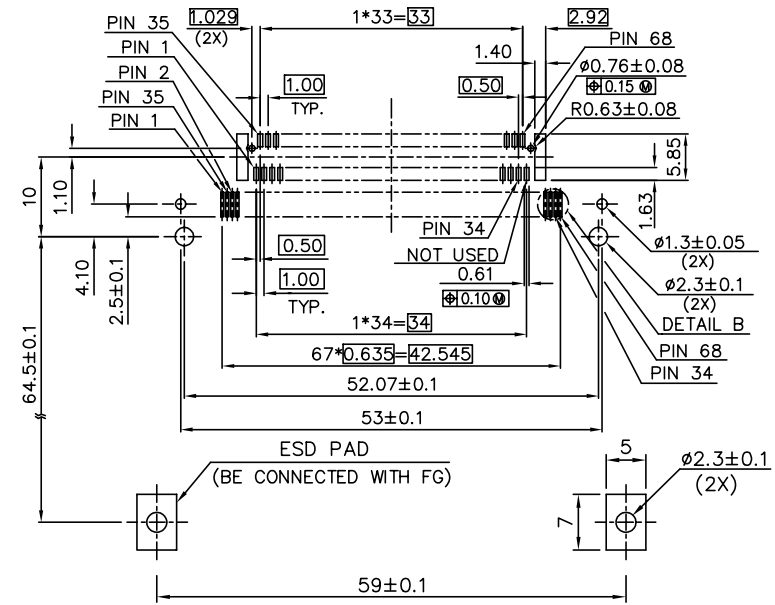
FCI CONFIDENTIAL

USED FOR 88640-022 WITH 88640-025  
 USED FOR 88640-022LF WITH 88640-025LF



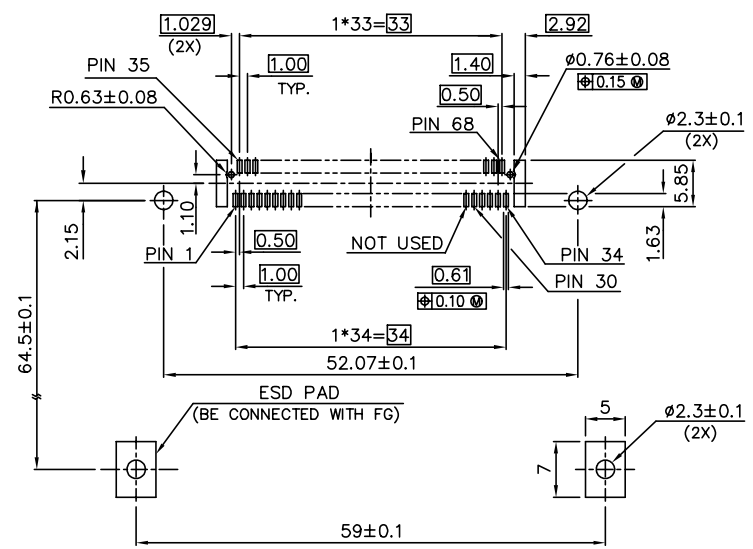
RECOMMENDED P.C.B. LAYOUT 2-1(MOUNTED SIDE)

USED FOR 88640-000 WITH 92789-002  
 USED FOR 88640-000LF WITH 92789-002LF

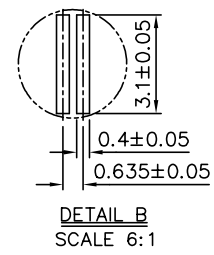


RECOMMENDED P.C.B. LAYOUT 1 (MOUNTED SIDE)

USED FOR 88640-022 /022LF



RECOMMENDED P.C.B. LAYOUT 2-2(MOUNTED SIDE)



|                    |  |                                       |  |                      |  |             |  |                                   |  |
|--------------------|--|---------------------------------------|--|----------------------|--|-------------|--|-----------------------------------|--|
| mat'l. code        |  | surface                               |  | tolerance            |  | projection  |  | product family                    |  |
|                    |  | ISO 1302                              |  | ISO 406 ISO 1181     |  | 1181        |  | EJECTOR HEADER ASS'Y              |  |
| ltr ecn no dr date |  | tolerances unless otherwise specified |  | linear ± 0.30        |  | MM          |  | 68POS. SMT TYP 1/2/3              |  |
| J                  |  | angles                                |  | ±2'                  |  | scale 1.4:1 |  | EJECTOR HEADER ASS'Y              |  |
|                    |  | dr                                    |  | WENDY CHEN 12/19/95  |  | FCI         |  | dwg no 88640 sheet 3 of 6 size A4 |  |
|                    |  | enr                                   |  | JOSEPH HSIA 12/19/95 |  |             |  | type CUSTOMER Drawing             |  |
|                    |  | chr                                   |  | JOSEPH HSIA 12/19/95 |  |             |  |                                   |  |
|                    |  | app                                   |  | JENN TSAO 12/19/95   |  |             |  |                                   |  |
| sheet index        |  | revision sheet                        |  |                      |  |             |  |                                   |  |

This document is the property of and embodies CONFIDENTIAL and PROPRIETARY information of FCI. No part of this information shown on this document may be used in any way or disclosed to others without the written consent of FCI. Copyright FCI.

FCI CONFIDENTIAL

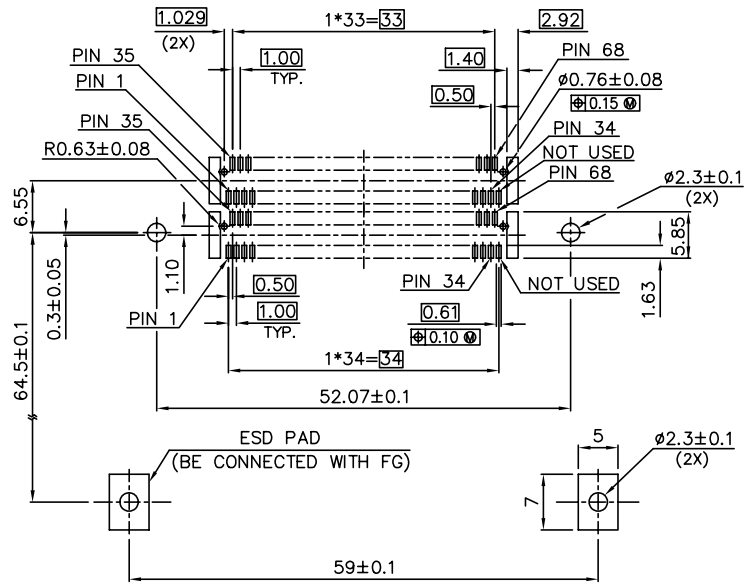
FCI CONFIDENTIAL

This document is the property of and embodies CONFIDENTIAL and PROPRIETARY information of FCI. No part of this information shown on this document may be used in any way or disclosed to others without the written consent of FCI.  
Copyright FCI.

FCI  
FCIconnect.com

USED FOR 88640-043 WITH 88640-045  
USED FOR 88640-050 WITH 88640-055

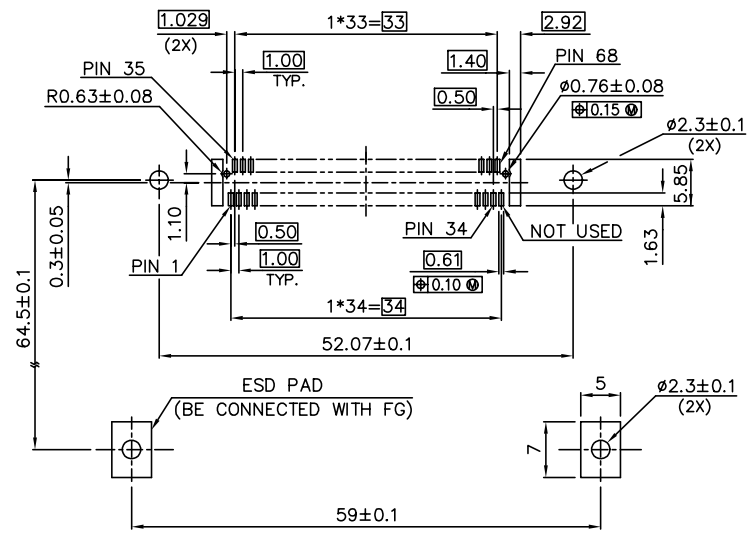
USED FOR 88640-043LF WITH 88640-045LF  
USED FOR 88640-050LF WITH 88640-055LF



RECOMMENDED P.C.B. LAYOUT 3-1 (MOUNTED SIDE)

USED FOR 88640-043  
USED FOR 88640-050  
USED FOR 88640-051  
USED FOR 88640-050H

USED FOR 88640-043LF  
USED FOR 88640-050LF  
USED FOR 88640-051LF  
USED FOR 88640-050HLF

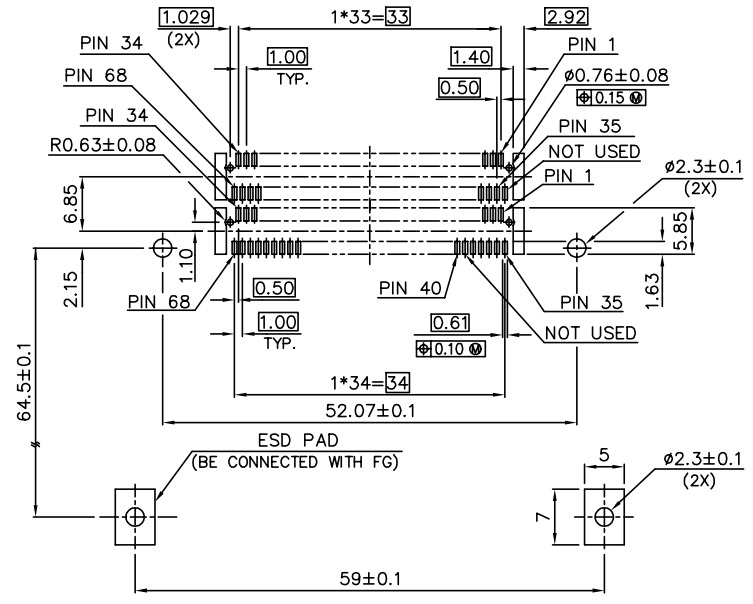


RECOMMENDED P.C.B. LAYOUT 3-2 (MOUNTED SIDE)

|                    |  |                                       |  |                      |  |             |  |                          |  |
|--------------------|--|---------------------------------------|--|----------------------|--|-------------|--|--------------------------|--|
| mat'l. code        |  | surface                               |  | tolerance            |  | projection  |  | product family           |  |
|                    |  | ISO 1302                              |  | ISO 406 ISO 1181     |  | 1:1         |  | EJECTOR HEADER ASS'Y     |  |
| ltr ecn no dr date |  | tolerances unless otherwise specified |  | linear ± 0.30        |  | MM          |  | 68POS. SMT TYP 1/2/3     |  |
| J                  |  | angles                                |  | ±2'                  |  | scale 1.5:1 |  | dwg no sheet 4 of 6 size |  |
|                    |  | dr                                    |  | WENDY CHEN 12/19/95  |  | FCI         |  | 88640 A4                 |  |
|                    |  | enr                                   |  | JOSEPH HSIA 12/19/95 |  |             |  |                          |  |
|                    |  | chr                                   |  | JOSEPH HSIA 12/19/95 |  |             |  |                          |  |
|                    |  | appd                                  |  | JENN TSAO 12/19/95   |  |             |  | type CUSTOMER Drawing    |  |
| sheet index        |  | revision sheet                        |  |                      |  |             |  |                          |  |

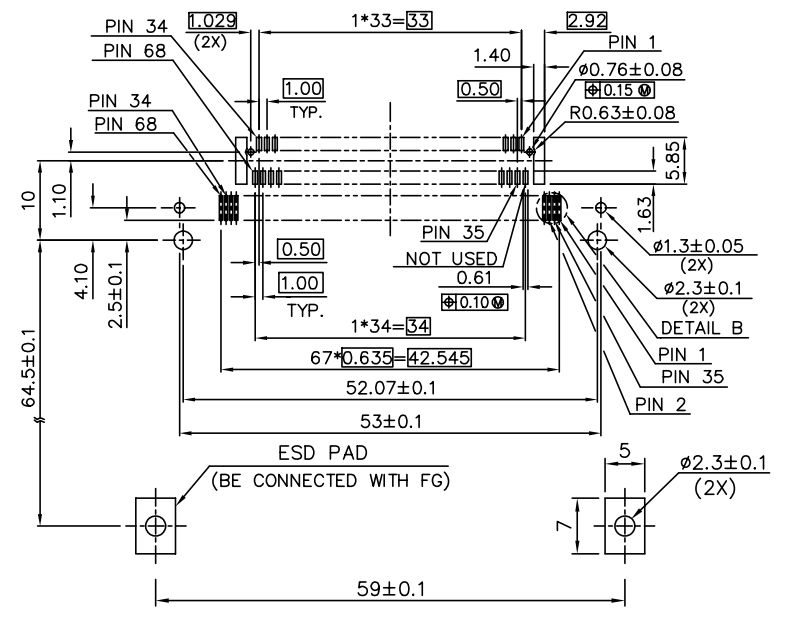
FCI CONFIDENTIAL

USED FOR 88640-122 WITH 88640-125  
 USED FOR 88640-122LF WITH 88640-125LF



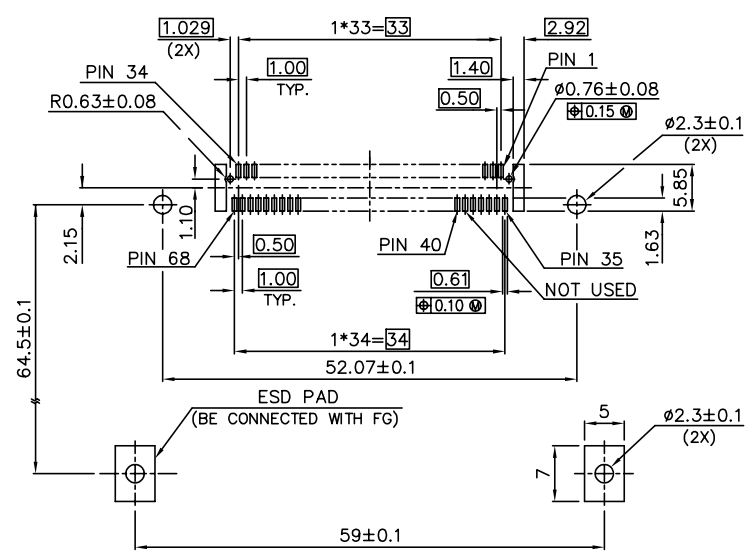
RECOMMENDED P.C.B. LAYOUT 5-1 (MOUNTED SIDE)

USED FOR 88640-100 WITH 92789-502  
 USED FOR 88640-100LF WITH 92789-502LF

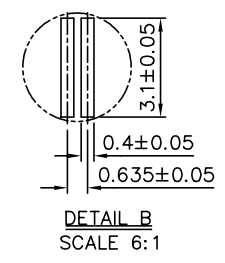


RECOMMENDED P.C.B. LAYOUT 4 (MOUNTED SIDE)

USED FOR 88640-122/122LF



RECOMMENDED P.C.B. LAYOUT 5-2 (MOUNTED SIDE)

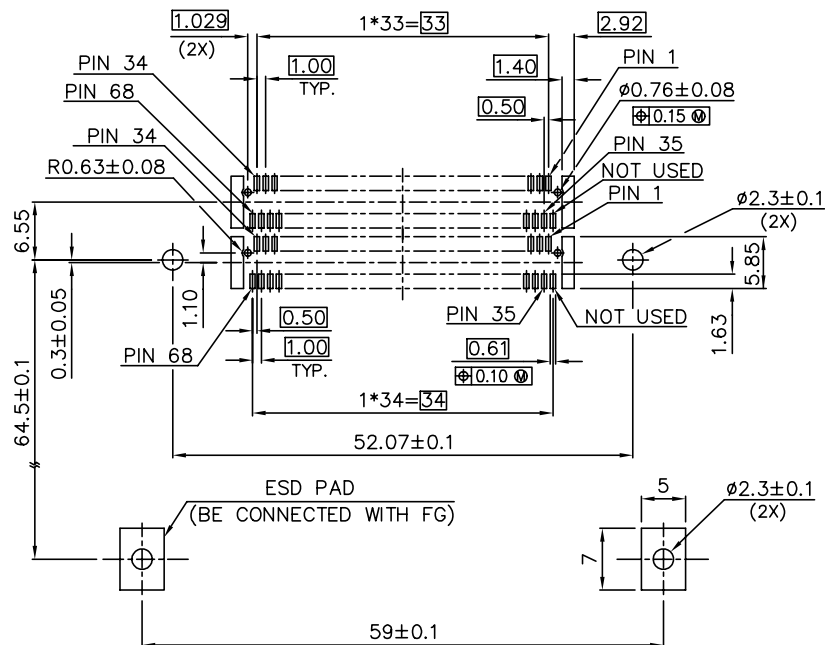


|              |  |                |  |                                       |  |               |  |                       |  |
|--------------|--|----------------|--|---------------------------------------|--|---------------|--|-----------------------|--|
| mat'l. code  |  | surface        |  | tolerance                             |  | projection    |  | product family        |  |
|              |  | ISD 1302       |  | ISD 406 ISD 1181                      |  |               |  | EJECTOR HEADER ASS'Y  |  |
| tr/ecn no/dr |  | date           |  | tolerances unless otherwise specified |  | title         |  | 68POS. SMT TYP 1/2/3  |  |
| J            |  |                |  | angles                                |  | linear ± 0.30 |  | MM                    |  |
|              |  |                |  | ±2'                                   |  | scale 1:4:1   |  | EJECTOR HEADER ASS'Y  |  |
|              |  | dr             |  | WENDY CHEN                            |  | 12/19/95      |  | dwg no                |  |
|              |  | engr           |  | JOSEPH HSIA                           |  | 12/19/95      |  | 88640                 |  |
|              |  | chr            |  | JOSEPH HSIA                           |  | 12/19/95      |  | sheet 5 of 6          |  |
|              |  | appd           |  | JENN TSAO                             |  | 12/19/95      |  | size                  |  |
|              |  |                |  |                                       |  |               |  | A4                    |  |
| sheet index  |  | revision sheet |  |                                       |  |               |  | type CUSTOMER Drawing |  |

FCI  
 This document is the property of and embodies CONFIDENTIAL and PROPRIETARY information of FCI. No part of this information shown on this document may be used in any way or disclosed to others without the written consent of FCI.  
 Copyright FCI  
 FCIconnect.com

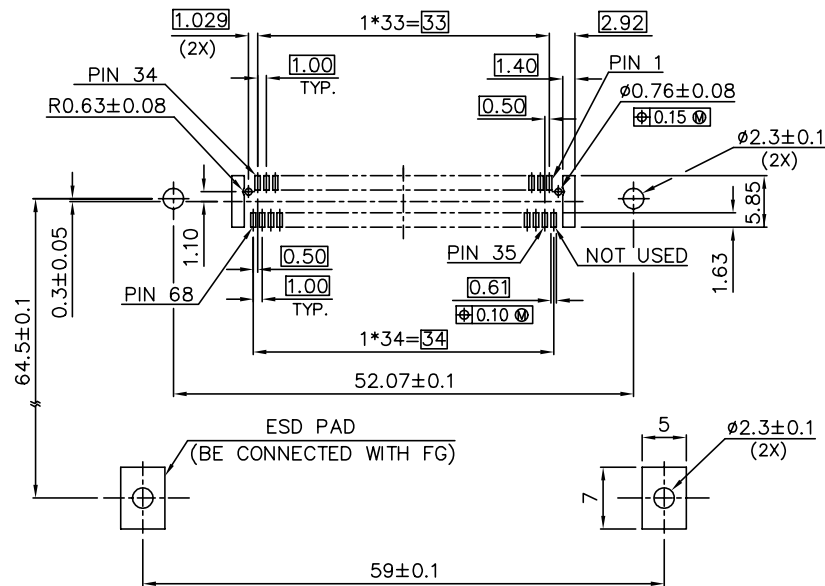
USED FOR 88640-143 WITH 88640-145  
 USED FOR 88640-150 WITH 88640-155

USED FOR 88640-143LF WITH 88640-145LF  
 USED FOR 88640-150LF WITH 88640-155LF



RECOMMENDED P.C.B. LAYOUT 6-1 (MOUNTED SIDE)

USED FOR 88640-143  
 USED FOR 88640-150  
 USED FOR 88640-143LF  
 USED FOR 88640-150LF



RECOMMENDED P.C.B. LAYOUT 6-2 (MOUNTED SIDE)

|                                       |             |                  |            |                |
|---------------------------------------|-------------|------------------|------------|----------------|
| mat'l. code                           | surface     | tolerance        | projection | product family |
|                                       | ISO 1302    | ISO 406 ISO 1181 | 1:1        |                |
| tr                                    | ecn         | no               | dr         | date           |
| J                                     |             |                  |            |                |
| tolerances unless otherwise specified |             |                  |            | title          |
| angles                                |             |                  |            | linear         |
| ±2'                                   |             |                  |            | ± 0.30         |
|                                       |             |                  |            | MM             |
|                                       |             |                  |            | scale 1.5 : 1  |
| dr                                    | WENDY CHEN  | 12/19/95         | FCI        | dwg no         |
| enr                                   | JOSEPH HSIA | 12/19/95         |            | sheet 6 of 6   |
| chr                                   | JOSEPH HSIA | 12/19/95         |            | size           |
| app                                   | JENN TSAO   | 12/19/95         |            | A4             |
|                                       |             |                  |            | type           |
|                                       |             |                  |            | CUSTOMER       |
|                                       |             |                  |            | Drawing        |
| sheet                                 | revision    |                  |            |                |
| index                                 | sheet       |                  |            |                |

FCI CONFIDENTIAL

FCI

This document is the property of and embodies CONFIDENTIAL and PROPRIETARY information of FCI. No part of this information shown on this document may be used in any way or disclosed to others without the written consent of FCI.  
 Copyright FCI.