

THIS DRAWING IS UNPUBLISHED.

RELEASED FOR PUBLICATION

ALL RIGHTS RESERVED.

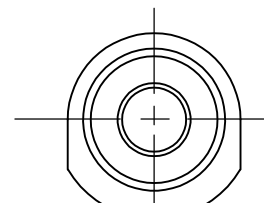
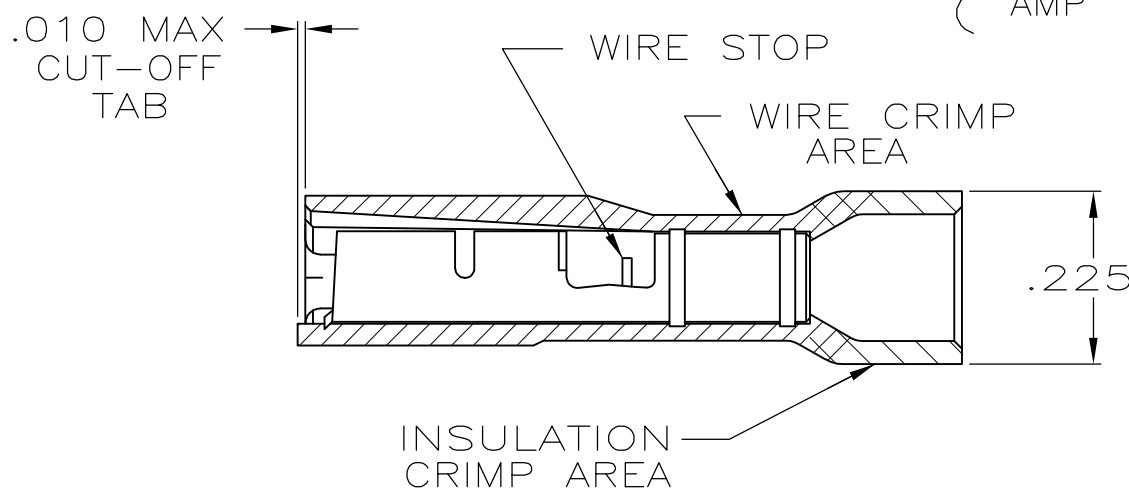
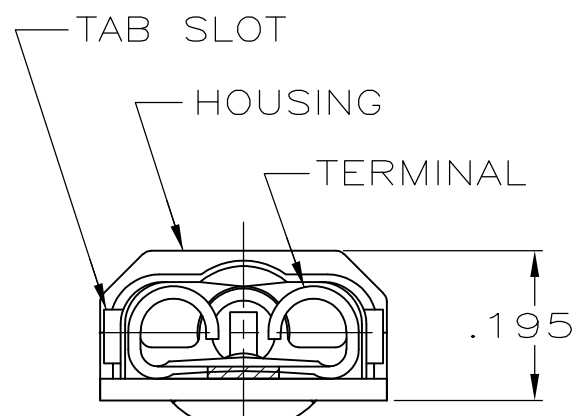
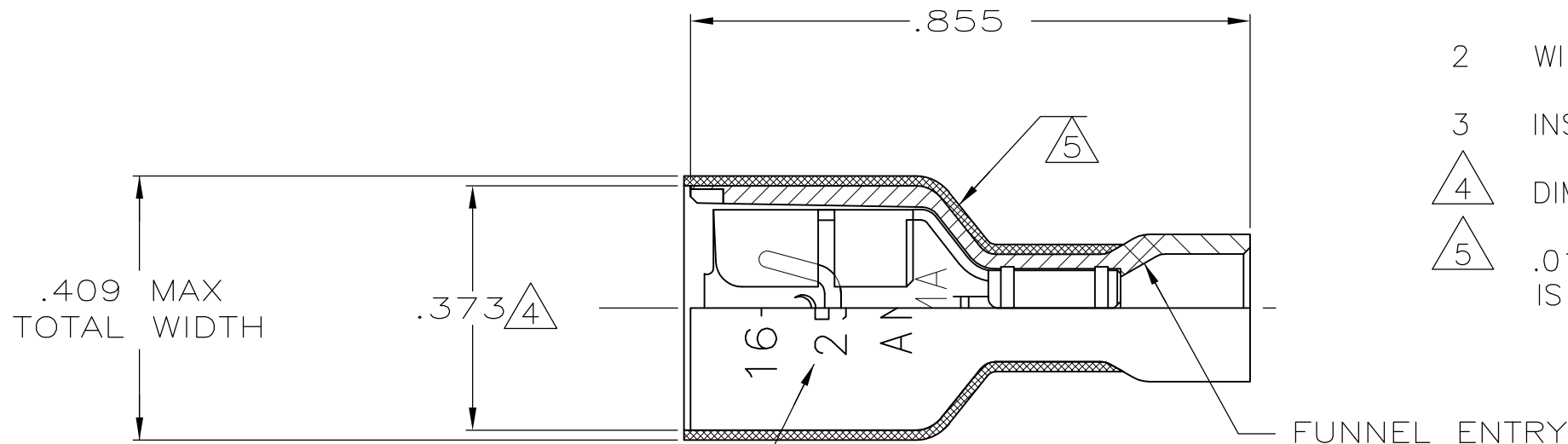
© COPYRIGHT - By -

LOC AF DIST 50

REVISIONS

P	LTR	DESCRIPTION	DATE	DWN	APVD
	J	REVISED PER ECR-12-005303	23JUL12	KH	KR

- 1 MATES WITH .032±.001x.250 TAB
- 2 WIRE STRIP LENGTH .281
- 3 INSULATION SIZE .090-.160 MAX DIA
- △4 DIMENSION DOES NOT INCLUDE TRIM BURR
- △5 .015 MAX CARRIER TRIM BURR PER SIDE IS ALLOWABLE IN THE SHADED AREA



HOUSING: NYLON, COLOR-BLUE TRANSLUCENT
 RECEPTACLE: #3 HARD BRASS
 TIN

3-520408-2

MATERIAL & FINISH

PART NO

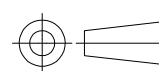
THIS DRAWING IS A CONTROLLED DOCUMENT.

DWN P FORTNEY 10/27/88
 CHK MS FEHER 11/14/88
 APVD K RANDOLPH 11/14/88



DIMENSIONS: INCHES

TOLERANCES UNLESS OTHERWISE SPECIFIED:



0 PLC	± -
1 PLC	± -
2 PLC	± -
3 PLC	± .015
4 PLC	± -
ANGLES	± -

MATERIAL SEE TABLE

FINISH SEE TABLE

108-2044

APPLICATION SPEC

114-2123

WEIGHT -

NAME RECEPTACLE ASSY, ULTRA-FAST PLUS,
 LOOSE PIECE, .250 SERIES, 16-14 AWG

SIZE A3 CAGE CODE 00779 DRAWING NO C-520408

RESTRICTED TO -

CUSTOMER DRAWING

SCALE 4:1

SHEET 1 OF 1

REV J