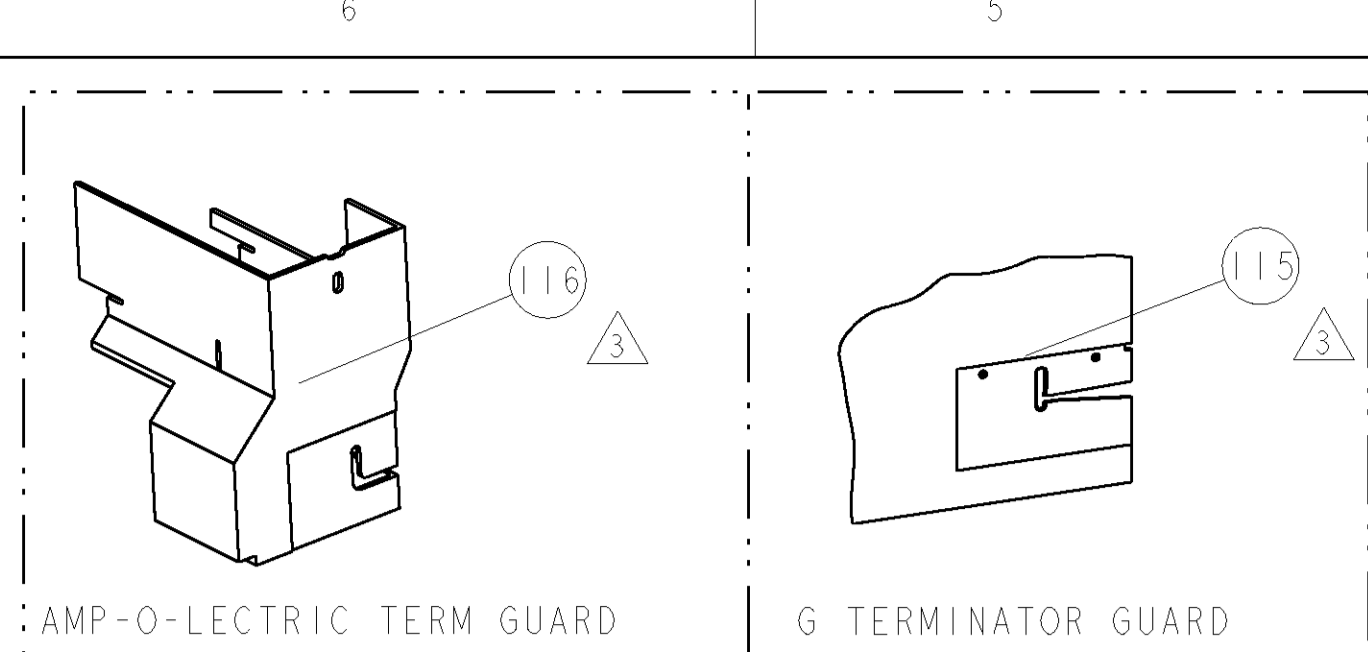


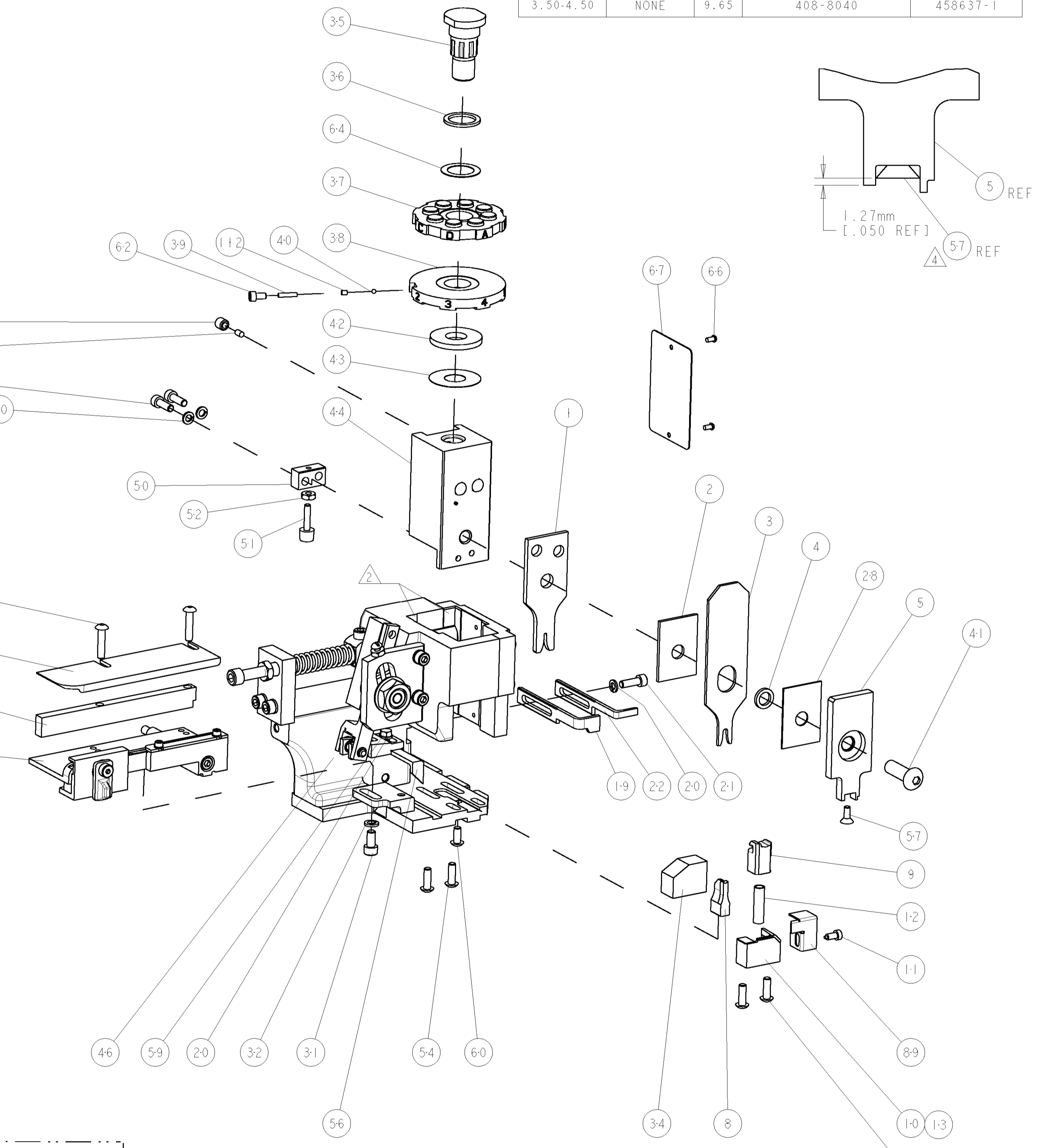
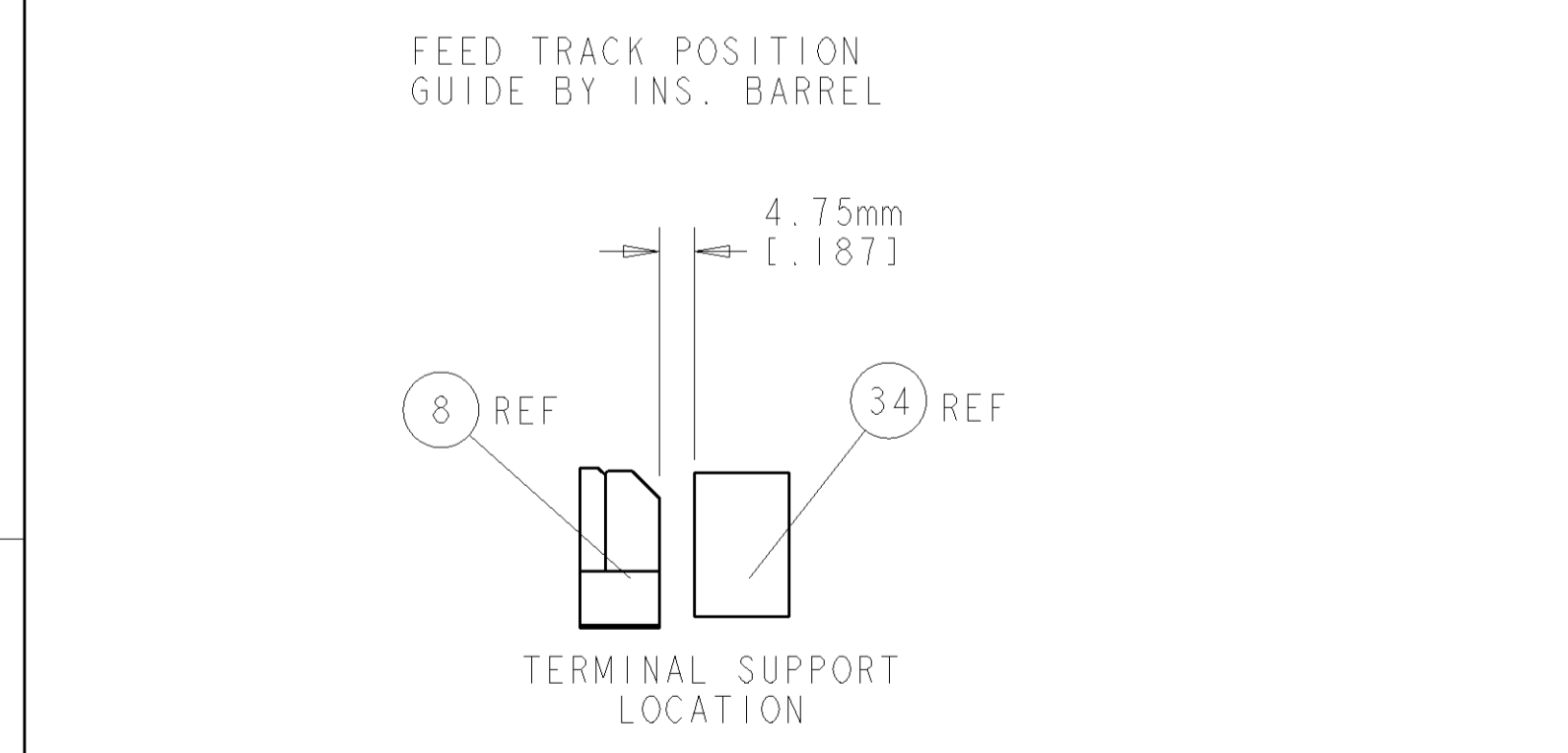
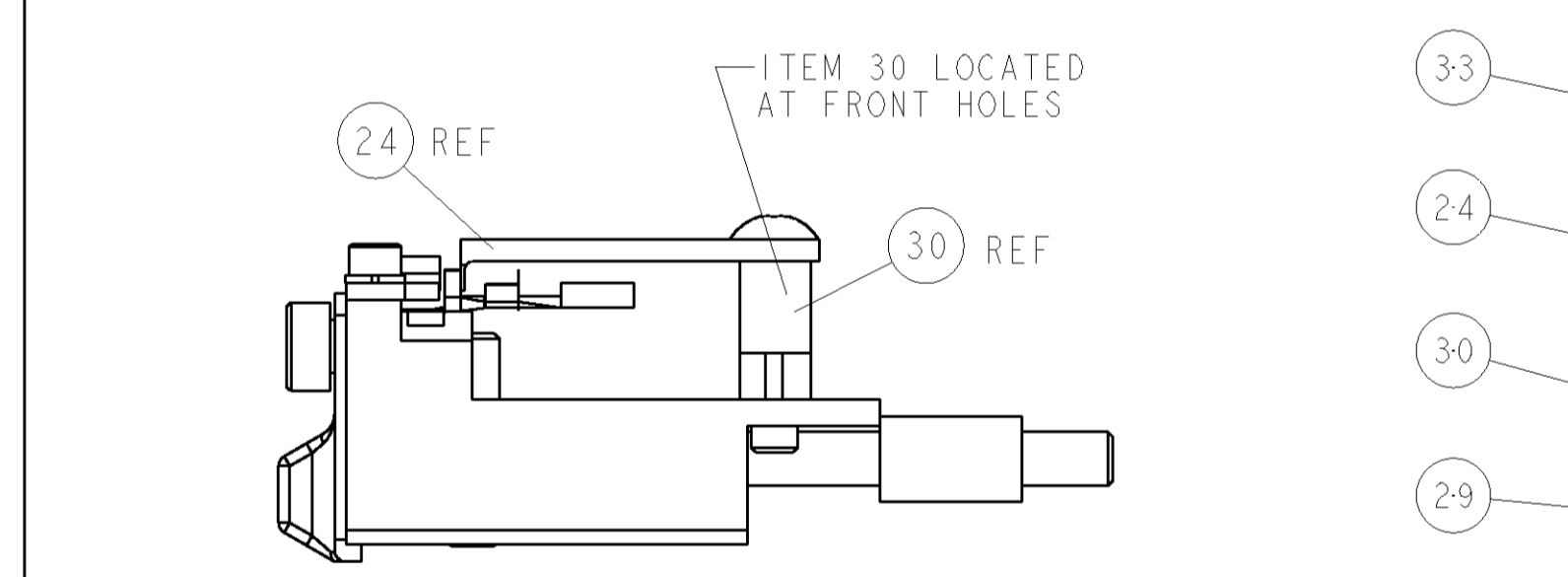
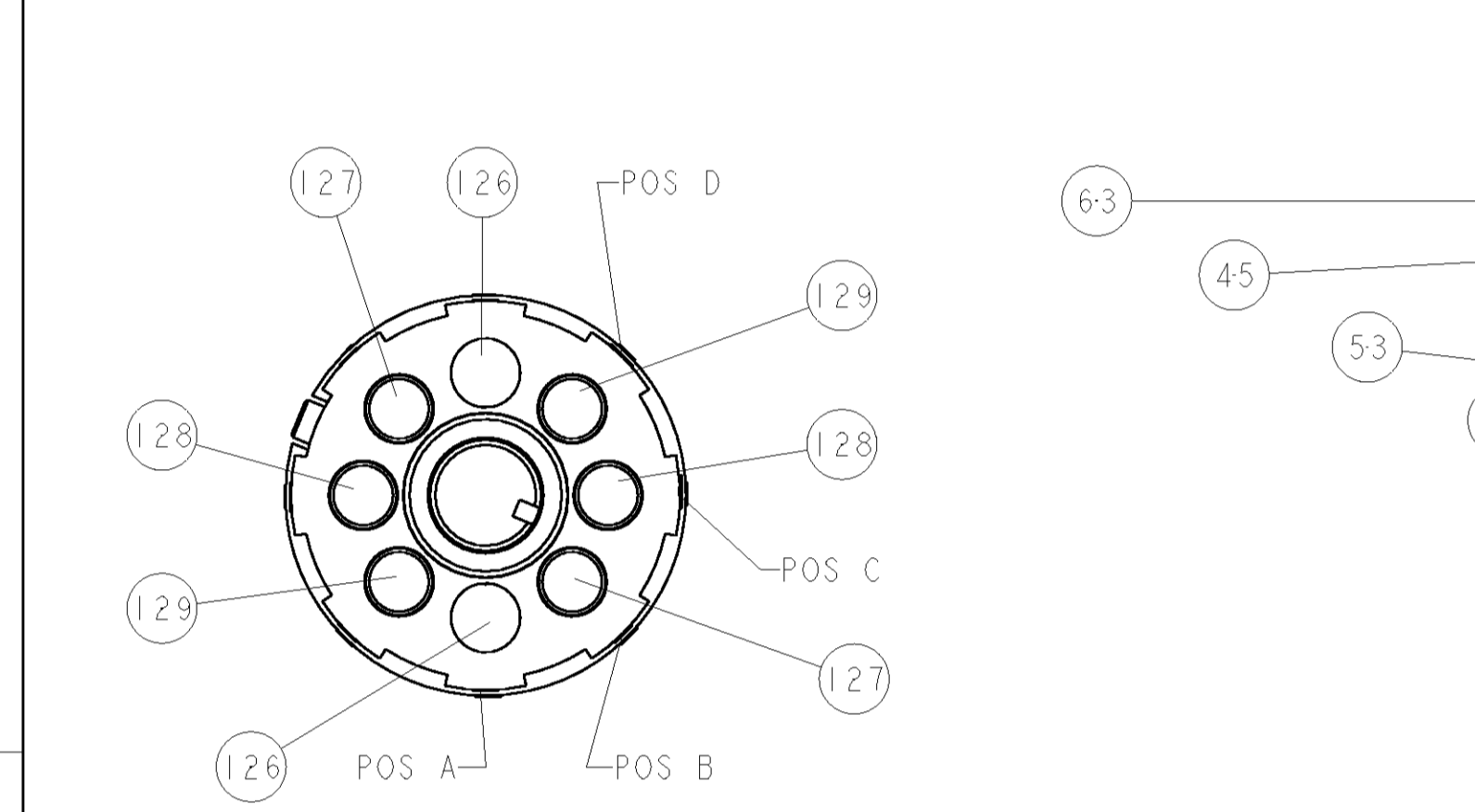
PART NUMBER	REV	FIRST USED	POWER UNIT	FEED TYPE	DESCRIPTION
1852854-1	A	122500-1	LEADMAKER	POST FEED	CUTS CARRIER
1852854-2	A	565435-5	BENCH MODEL K	PRE FEED	CUTS CARRIER
1852854-3	A	354500-1	BENCH MODEL G	PRE FEED	CUTS CARRIER
1852854-6	A	122500-1	LEADMAKER	POST FEED	CONTINUOUS CARRIER
7-1852854-7	A	-	-	-	SPARE PARTS



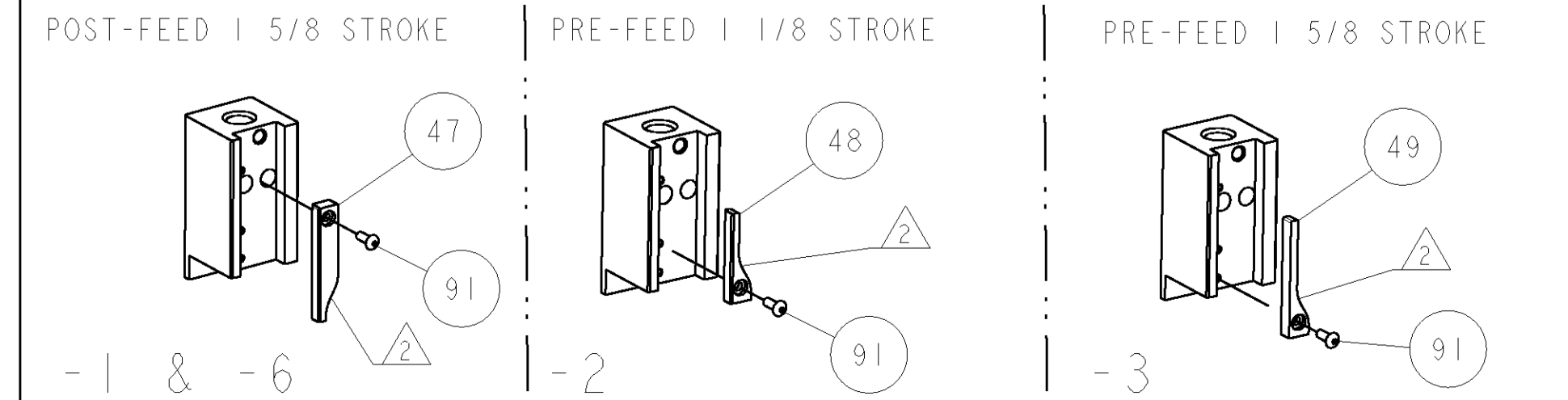
TERMINAL NAME: HX SEALED SERIES		SUMITOMO		SUMITOMO TERMINAL - SUMITOMO CRIMP SPECS	
TE PN	SUMITOMO	PAD LTR	CRIMP HEIGHT	WIRE SIZE	
-	-	A	1.05mm+0.05/-0.05 [1.041+0.002/-0.002]	0.5mm2	6
1572385	8100-3177	B	0.95mm+0.05/-0.05 [1.037+0.002/-0.002]	0.3mm2	6
-	-	C	0.90mm+0.05/-0.05 [1.035+0.002/-0.002]	0.5mm2	7
1832970	8100-3067	D	0.80mm+0.05/-0.05 [1.032+0.002/-0.002]	0.3mm2	7
SEAL PN	WIRE	CRIMP	SIZE	TYPE	RANGE
1572386	7165-0621	WIRE	1.60mm [1.063]	F	0.3-0.5mm2
-	-	INSUL	3.25mm [1.128]	O	∅1.400 - 2.100
WIRE STRIP LENGTH	TERM APPL SPEC	FEED	APPLICATOR INSTRUCTIONS		SET UP GAGE
3.50-4.50	NONE	9.65	408-8040		458637-1

LOC	DIST	REV	DESCRIPTION	DATE	OWN	APPR
A	66		RELEASED	14JUL2009	RK	TE

- 1 RECOMMENDED SPARE PARTS
- 2 GREASE LIGHTLY
- 3 GUARD MUST BE IN PLACE WHEN OPERATING APPLICATOR IN A BENCH MACHINE
- 4 APPLY TORO-SEAL IN ALLEN SOCKET TO FILL HOLE AFTER FLAT HD HAS BEEN ADJUSTED TO CORRECT HEIGHT AT QUALIFICATION. APPLY PN 1-23419-5 LOC-TITE TO THREADS.
- 5 THE INSULATION RANGE LISTED IS FOR THE TERMINAL. THE INSULATION RANGE FOR THE SEAL IS ∅1.6-1.9mm.
- 6 CRIMP HEIGHTS FOR PIN VERSION SUMITOMO P/N 8100-3177
- 7 CRIMP HEIGHTS FOR SOCKET VERSION SUMITOMO P/N 8100-3067



-	2	2	2	2	-	3-354779-8	PIN, WIRE DISC, .3170	129
-	2	2	2	2	-	2-354779-8	PIN, WIRE DISC, .3130	128
-	2	2	2	2	-	4-354779-6	PIN, WIRE DISC, .3220	127
-	2	2	2	2	-	4-354779-0	PIN, WIRE DISC, .3190	126
-	-	-	REF	-	..	455749-1	GUARD WINDOW	116
-	-	-	REF	-	..	679532-1	INSERT, GUARD	115
-	1	1	1	1	-	690603-1	SPRING ASSIST AMP-O-MATOR APPLICATOR	112
-	1	1	1	1	-	1-21002-7	SCR, BTN SKT HD CAP 6-32 X .375	91
-	1	1	1	1	-	318563-1	GUARD, FRONT CHIP	89
-	1	1	1	1	-	4088040	SF APPL INST 408-8040	72
-	1	1	1	1	-	217238-1	GENERAL INSTRUCTION PKG	71
-	1	1	1	1	-	461264-1	PLATE, IDENTIFICATION	67
-	2	2	2	2	-	21017-2	SCREW, DRIVE	66
-	1	1	1	1	-	986950-1	WASHER, FLAT PRECISION	64
-	1	1	1	1	-	21009-2	SCR, SET, SELF LOCKING 1/4-20 X .250	63
-	1	1	1	1	-	23030-1	SCR, SKT HD CAP 6-32 X .25	62
-	1	1	1	1	-	22733-8	SCR, BHSC, SELF-LOCKING, 8-32 X .375	60
-	1	1	1	1	-	2-22603-0	SCR, HEX HD CAP 8-32 X .312	59
-	1	1	1	1	-	1-21003-9	SCR, FLT SKT HD CAP 6-32 X .375	57
-	1	1	1	1	-	458537-2	PAWL, FEED	56
-	4	4	4	4	-	2-21002-2	SCR, BTN SKT HD CAP 8-32 X .500	54
-	2	2	2	2	-	2-21000-7	SCR, SKT HD CAP 8-32 X .500	53
-	1	1	1	1	-	21018-5	NUT, HEX, REG 6-32	52
-	1	1	1	1	-	811242-2	BUMPER, HOLD DOWN	51
-	1	1	1	1	-	690753-1	SPACER, TONKER	50
-	-	-	-	-	..	690602-6	CAM, PRE FEED, 1 5/8	49
-	-	-	-	-	..	690602-5	CAM, PRE FEED, 1 1/8	48
-	1	-	-	-	-	690501-4	CAM, POST-FEED 1 5/8	47
-	1	1	1	1	-	459456-1	APPL. BASIC SUB ASSY (SIDE WISE MOCA)	46
-	1	1	1	1	-	690191-1	PLUG, NYLON	45
-	1	1	1	1	-	455673-1	RAM, SIDE FEED	44
-	1	1	1	1	-	690125-1	SHIM SUB-ASSY	43
-	1	1	1	1	-	690124-9	WASHER, RAM (.125)	42
-	1	1	1	1	-	7-21002-9	SCR, BTN SKT HD CAP 5/16-24 X 1.00	41
-	1	1	1	1	-	23241-6	BALL, STEEL	40
-	1	1	1	1	-	690170-1	SPRING, COMPRESSION	39
-	1	1	1	1	-	690142-4	DISC, INSULATION	38
-	1	1	1	1	-	354777-1	WIRE DISC, ASSEMBLY	37
-	1	1	1	1	-	22480-5	SPRING, COMPRESSION	36
-	1	1	1	1	-	690212-1	POST, RAM	35
-	1	1	1	1	-	690786-3	TERMINAL SUPPORT	34
-	2	2	2	2	-	2-21002-4	SCR, BTN SKT HD CAP 8-32 X .750	33
-	1	1	1	1	-	21024-5	WASHER, SPRG LOCK, REG NO 10	32
-	1	1	1	1	-	3-21000-4	SCR, SKT HD CAP 10-32 X .375	31
-	1	1	1	1	-	1-1320908-5	SPACER, STRIP GUIDE	30
-	1	1	1	1	-	1633091-2	ASSEMBLY, STRIP GUIDE	29
-	1	1	1	1	-	455888-7	SPACER, CRIMPER	28
-	1	1	1	1	-	1320928-1	PLATE, STRIP GUIDE	24
-	1	-	-	-	-	690472-2	STRIPPER	22
-	1	1	1	1	-	2-21000-7	SCR, SKT HD CAP 8-32 X .500	21
-	4	4	4	4	-	21024-4	WASHER, SPRG LOCK, REG NO 8	20
-	-	-	-	-	-	691353-1	STRIPPER	19
-	1	1	1	1	-	679625-2	SHEAR HOLDER, FRONT (NO CUT)	13
-	1	1	1	1	-	3-22280-3	SPRING, COMPRESSION	12
-	1	1	1	1	-	1-690461-6	STOP, SHEAR	11
-	-	-	-	-	-	1-690459-0	SHEAR HOLDER, FRONT	10
-	1	1	1	1	-	318707-1	FLOATING SHEAR, FRONT	9
-	1	1	1	1	-	1633767-8	ANVIL, COMBINATION	8
-	-	-	-	-	..	-	-	7
-	-	-	-	-	..	-	-	6
-	1	1	1	1	-	318701-1	DEPRESSOR, SHEAR	5
-	1	1	1	1	-	238011-6	BLOCK, CRIMPER SPACER	4
-	1	1	1	1	-	2-1633589-1	CRIMPER, INSUL O	3
-	1	1	1	1	-	1-455888-6	SPACER, CRIMPER	2
-	1	1	1	1	-	1-1633738-2	CRIMPER, WIRE	1



DIMENSIONS:		TOLERANCES UNLESS OTHERWISE SPECIFIED:		MATERIAL:		FINISH:	
INCHES	9 PLC ±.01	1 PLC ±.01	3 PLC ±.001	4 PLC ±.0001	ANGLE	±.0001	
MATERIAL:		FINISH:		WEIGHT:		CUSTOMER DRAWING:	
-		-		-		-	

DATE	BY	CHKD	APPVD	NAME	SCALE	SHEET	OF	REV
06JAN2009	DR. KNEPPER	T. ELBIN	N. DEMING		3:5	1	1	A

Tyco Electronics
 Harrisburg, PA 17105-3608
 SIDE FEED HDM APPLICATOR
 SIZE: 00779 C=1852854
 SCALE: 3:5 SHEET 1 OF 1 REV A

CUSTOMER VIEWABLE ASSEMBLY