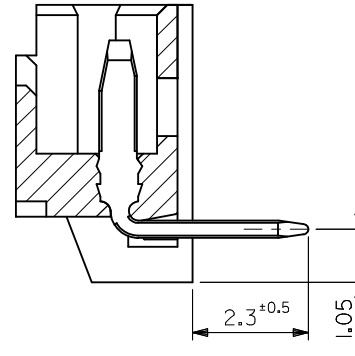
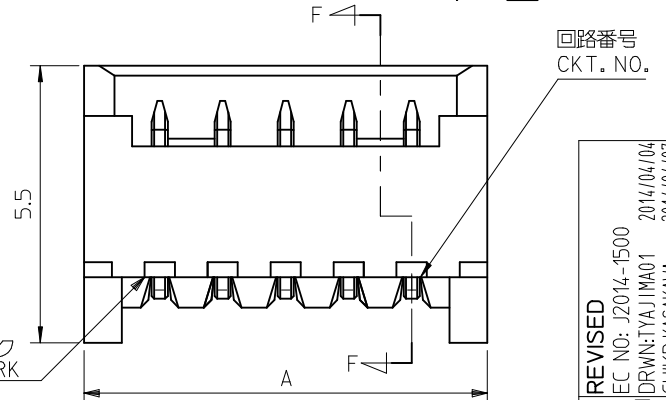
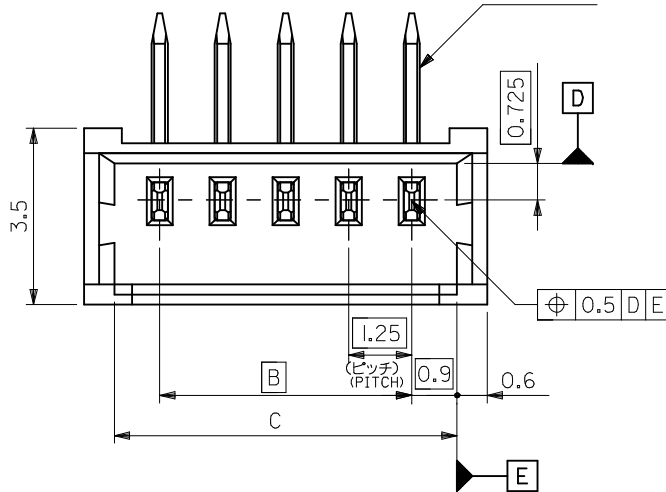
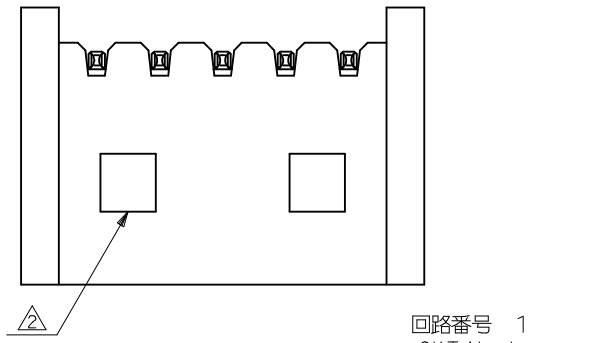


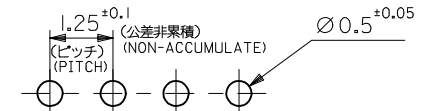
注記

NOTES

1. 嵌合相手: 51021-\*\*-00  
MATE WITH: 51021-\*\*-00
- △. ロック窓は、2, 3極が1ヶ所、4~15極が2ヶ所とする。  
WINDOW OF LOCK CONSTRUCTED 1 POINT BY 2,3POLES  
AND 2POINTS BY 4~15POLES.
3. MATERIAL :  
PIN : PHOSPHOR BRONZE, PRE-PLATED TIN  
WAFER : NYLON, 94V-0 , NATURAL COLOR



断面 F-F  
SECT.F-F



基板取付穴推奨寸法 (t=0.8)  
RECOMMENDED PC BOARD HOLE DIMENSION (t=0.8)

19.3	17.5	20.5	53048-1510	15
18.05	16.25	19.25	-1410	14
16.8	15	18	-1310	13
15.55	13.75	16.75	-1210	12
14.3	12.5	15.5	-1110	11
13.05	11.25	14.25	-1010	10
11.8	10	13	-0910	9
10.55	8.75	11.75	-0810	8
9.3	7.5	10.5	-0710	7
8.05	6.25	9.25	-0610	6
6.8	5	8	-0510	5
5.55	3.75	6.75	-0410	4
4.3	2.5	5.5	-0310	3
3.05	1.25	4.25	53048-0210	2
C	B	A	ENG. NO.	極数

REVISED EC NO: J2014-1500 DRWN: TYAJIMA01 2014/04/04 CHKD: KASAKAWA 2014/04/07 APPR: NUKITA 2014/04/07	GENERAL TOLERANCES (UNLESS SPECIFIED)		DIMENSION STYLE MM ONLY		SCALE ---	DESIGN UNITS METRIC	THIRD ANGLE PROJECTION		
	10 UNDER	±0.2	DRAWN BY TYAJIMA01	DATE 2014/04/04	TITLE 1.25 W/B CONN WAFER ASSY R/A				
	10 OVER 30 UNDER	±0.25	CHECKED BY KASAKAWA	DATE 2014/04/07					
	30 OVER	±0.3	APPROVED BY NUKITA	DATE 2014/04/07					
REV	DESCRIPTION	ANGULAR ±3 °	MATERIAL NO.	DOCUMENT NO.	SHEET NO.				
		DRAFT WHERE APPLICABLE MUST REMAIN WITHIN DIMENSIONS	SEE TABLE	SD-53048-001	1 OF 1				
		SIZE A3		THIS DRAWING CONTAINS INFORMATION THAT IS PROPRIETARY TO MOLEX INCORPORATED AND SHOULD NOT BE USED WITHOUT WRITTEN PERMISSION					