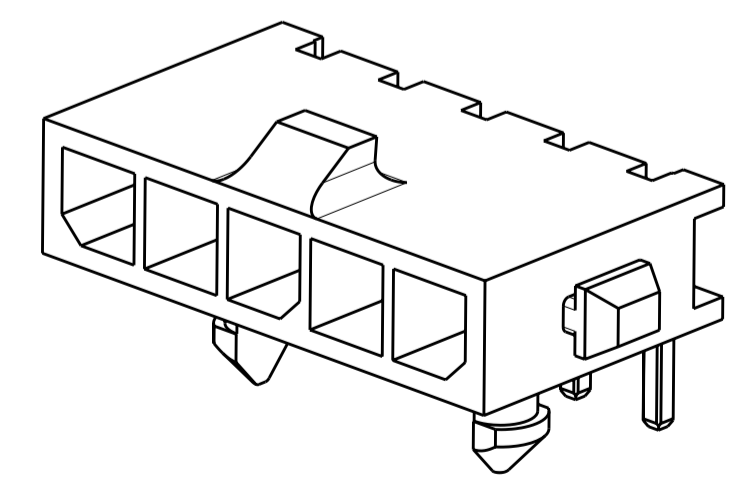
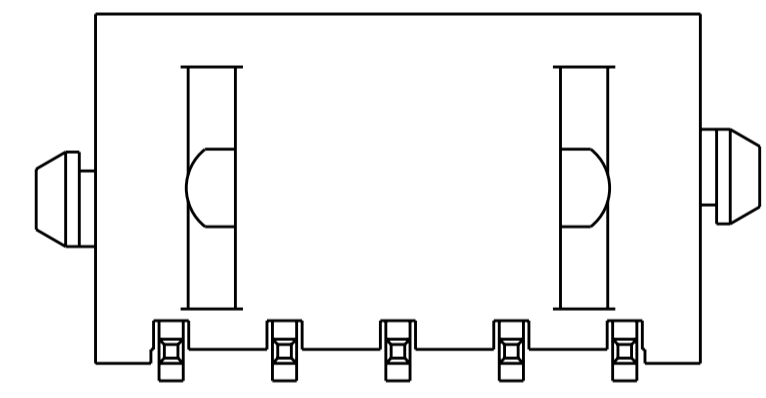
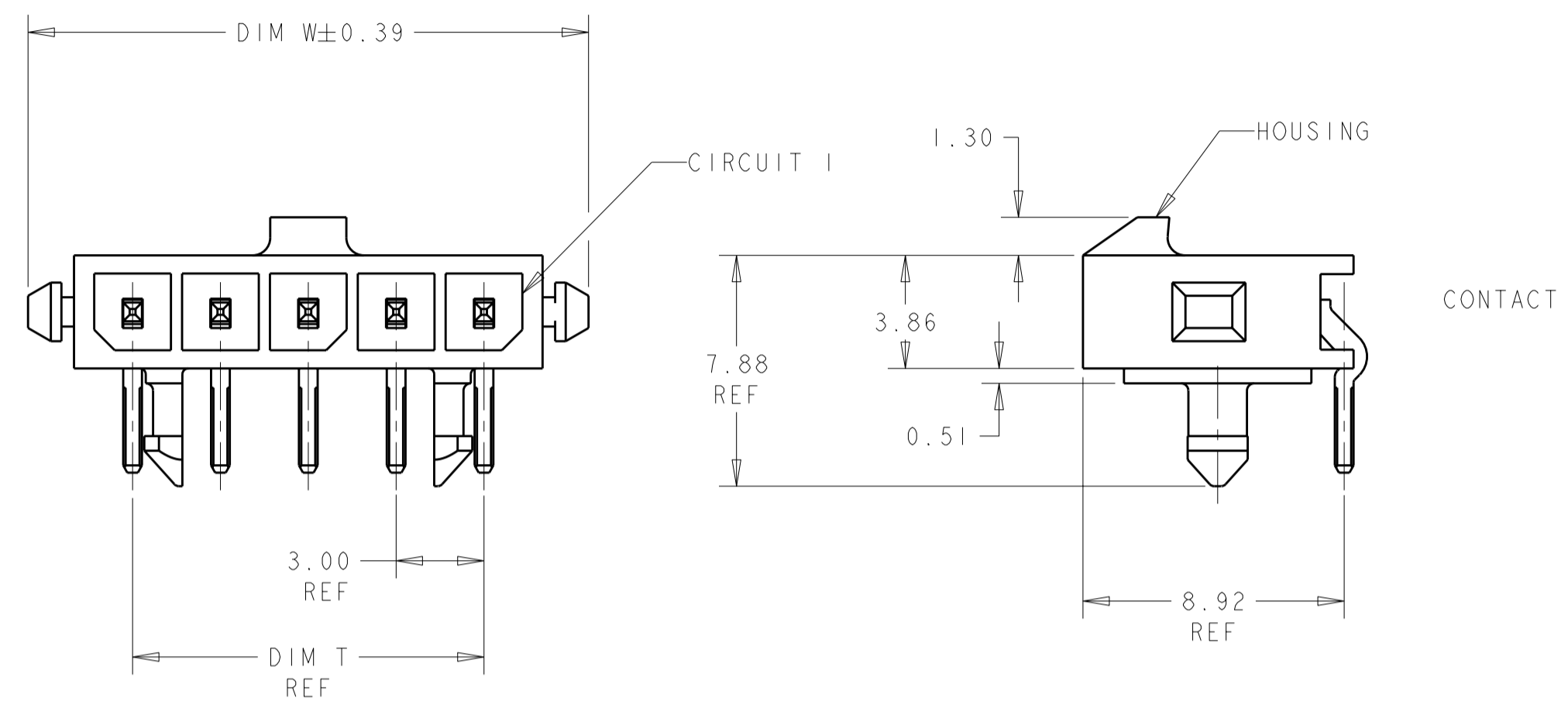


THIS DRAWING IS UNPUBLISHED. RELEASED FOR PUBLICATION 2011
 © COPYRIGHT 2011 ALL RIGHTS RESERVED.

LOC	DIST	REVISIONS					
CM	00	P	LTR	DESCRIPTION	DATE	DWN	APVD
			AI	REVISED PER ECR-11-014228	11JUL2011	HMR	TM



- 1 MATERIAL: CONTACTS - BRASS
HOUSING - UL 94V-0 RATED HIGH TEMP NYLON, COLOR BLACK.
- 2 PLATING: CONTACTS - 0.38µm MINIMUM GOLD ON MATING END,
2.54µm MINIMUM TIN LEAD ON SOLDER TAILS, BOTH OVER
1.27µm MINIMUM NICKEL.
- 4 RECOMMENDED PC BOARD THICKNESS OF 1.57.
- 5 PLATING: CONTACTS - 0.38µm MINIMUM GOLD ON MATING END,
2.54µm MINIMUM MATTE TIN ON SOLDER TAILS, BOTH OVER
1.27µm MINIMUM NICKEL.

FINISH	DIM Z	DIM V	DIM T	DIM W	NO. OF POSN	PART NUMBER
5	33.00	28.70	33.00	40.14	12	3-1445089-2
5	30.00	25.70	30.00	37.14	11	3-1445089-1
5	27.00	22.70	27.00	34.14	10	3-1445089-0
5	24.00	19.70	24.00	31.14	9	2-1445089-9
5	21.00	16.70	21.00	28.14	8	2-1445089-8
5	18.00	13.70	18.00	25.14	7	2-1445089-7
5	15.00	10.70	15.00	22.14	6	2-1445089-6
5	12.00	7.70	12.00	19.14	5	2-1445089-5
5	9.00	4.70	9.00	16.14	4	2-1445089-4
5	-	-	6.00	13.14	3	2-1445089-3
5	-	-	3.00	10.14	2	2-1445089-2
2	33.00	28.70	33.00	40.14	12	1-1445089-2
2	30.00	25.70	30.00	37.14	11	1-1445089-1
2	27.00	22.70	27.00	34.14	10	1-1445089-0
2	24.00	19.70	24.00	31.14	9	1445089-9
2	21.00	16.70	21.00	28.14	8	1445089-8
2	18.00	13.70	18.00	25.14	7	1445089-7
2	15.00	10.70	15.00	22.14	6	1445089-6
2	12.00	7.70	12.00	19.14	5	1445089-5
2	9.00	4.70	9.00	16.14	4	1445089-4
2	-	-	6.00	13.14	3	1445089-3
2	-	-	3.00	10.14	2	1445089-2

METRIC

THIS DRAWING IS A CONTROLLED DOCUMENT. DWN J.ROOT 09OCT2000
 CHK K.WHITAKER 17-APR-2001
 APVD C.JONES 17-APR-2001

TE Connectivity

RIGHT ANGLE THRU HOLE HEADER ASSY, 0.38 MIC GOLD CONTACTS, WITH PLASTIC HOLDDOWNS, SGL ROW, MICRO MATE-N-LOK™

SIZE A2 CAGE CODE 00779 DRAWING NO. 1445089 RESTRICTED TO

SCALE 5:1 SHEET 1 OF 2 REV AI

4

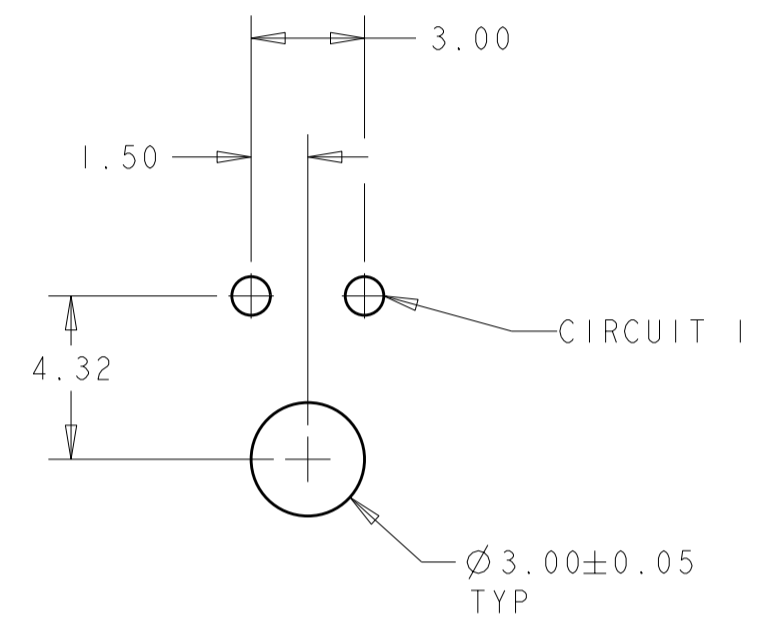
3

2

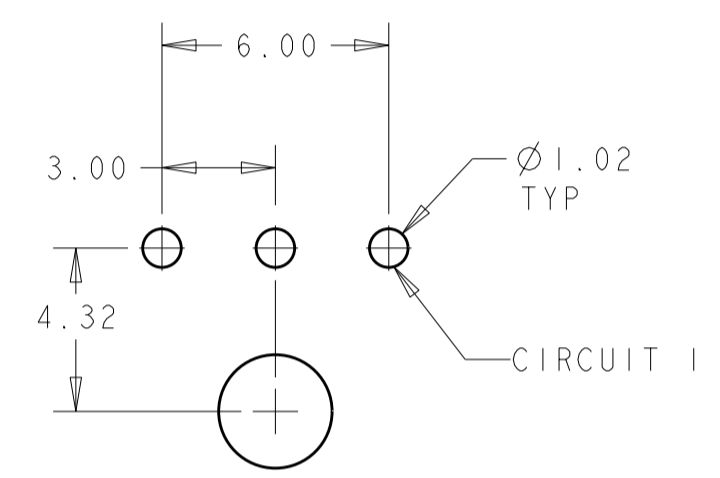
1

THIS DRAWING IS UNPUBLISHED. RELEASED FOR PUBLICATION 2011
 © COPYRIGHT 2011 ALL RIGHTS RESERVED.

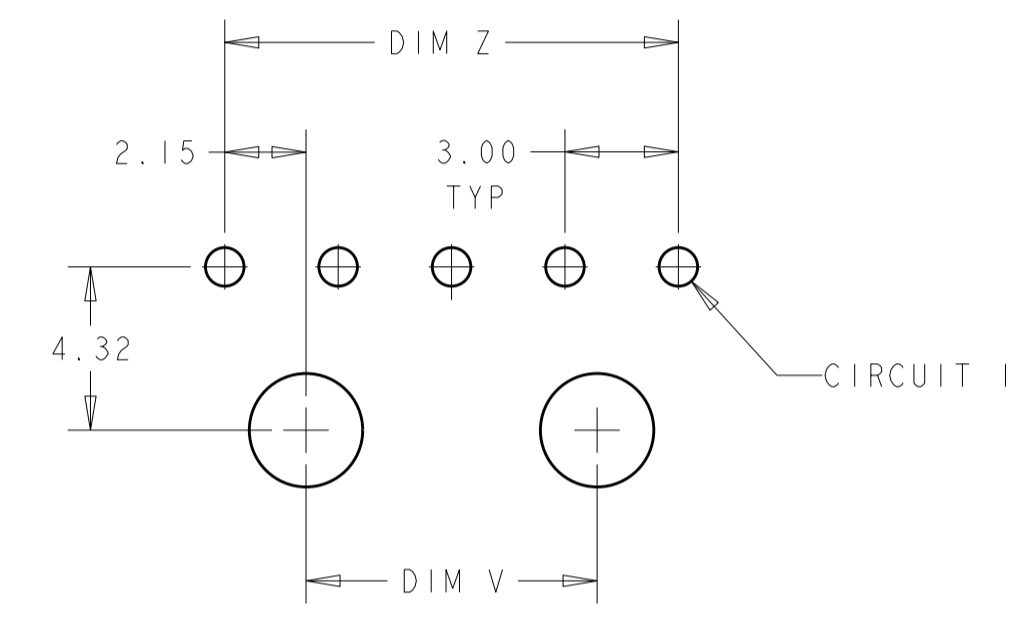
LOC	DIST	REVISIONS			
P	LTR	DESCRIPTION	DATE	DWN	APVD
CM	00	-	SEE SHEET 1	-	-



PCB LAYOUT FOR 2 POSITION \triangle
 COMPONENT SIDE



PCB LAYOUT FOR 3 POSITION \triangle
 COMPONENT SIDE



PCB LAYOUT FOR 4-12 POSITION \triangle
 COMPONENT SIDE



THIS DRAWING IS A CONTROLLED DOCUMENT.		DWN J. ROOT 09OCT2000	TE Connectivity	
DIMENSIONS: mm		CHK K. WHITAKER 17-APR-2001		
TOLERANCES UNLESS OTHERWISE SPECIFIED:		APVD C. JONES 17-APR-2001	NAME RIGHT ANGLE THRU HOLE HEADER ASSY, 0.38 MIC GOLD CONTACTS, WITH PLASTIC HOLDDOWNS, SGL ROW, MICRO MATE-N-LOK™	
0 PLC ± 1 PLC ± 2 PLC ±0.13 3 PLC ± 4 PLC ± ANGLES ± FINISH ±		PRODUCT SPEC -	SIZE A200779	
MATERIAL		APPLICATION SPEC -	DRAWING NO C-1445089	
SEE TABLE -		WEIGHT -	RESTRICTED TO -	
		CUSTOMER DRAWING	SCALE 5:1	SHEET 2 OF 2
			REV A1	