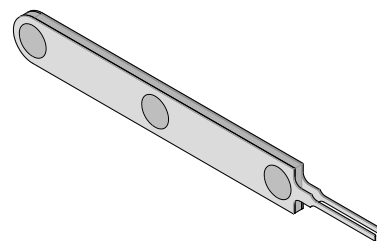




Extractor Tool

## Application Tooling Specification Sheet



Order No. 63824-6210

### FEATURES

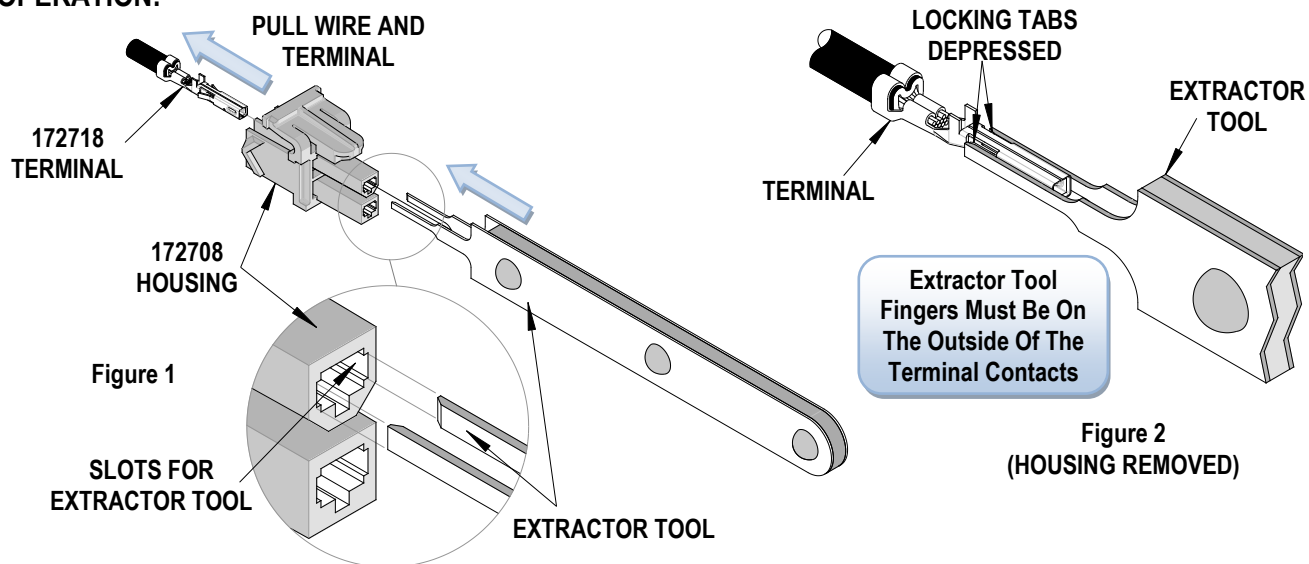
- This tool is designed for the removal of Mini-Fit® TPA 2.0 crimped terminals from their housings.

### SCOPE

Products: Mini-Fit® TPA 2.0 Crimp Terminal, 16-24 AWG.

Housing Series No.	Terminal Series No	Terminal Order No.					
172708	172718	172718-1111	172718-1112	172718-1121	172718-1122	172718-2111	172718-2112
		172718-2121	172718-2122	172718-3111	172718-3112	172718-3121	172718-3122
		172718-4111	172718-4112	172718-4121	172718-4122	172718-5111	172718-5112
		172718-5121	172718-5122	172718-6111	172718-6112	172718-6121	172718-6122
172762	172765	172762-1121	172762-1122	172762-2121	172762-2122	172762-3121	172762-3122
		172762-4121	172762-4122	172762-5121	172762-5122	172762-6121	172762-6122

### OPERATION:



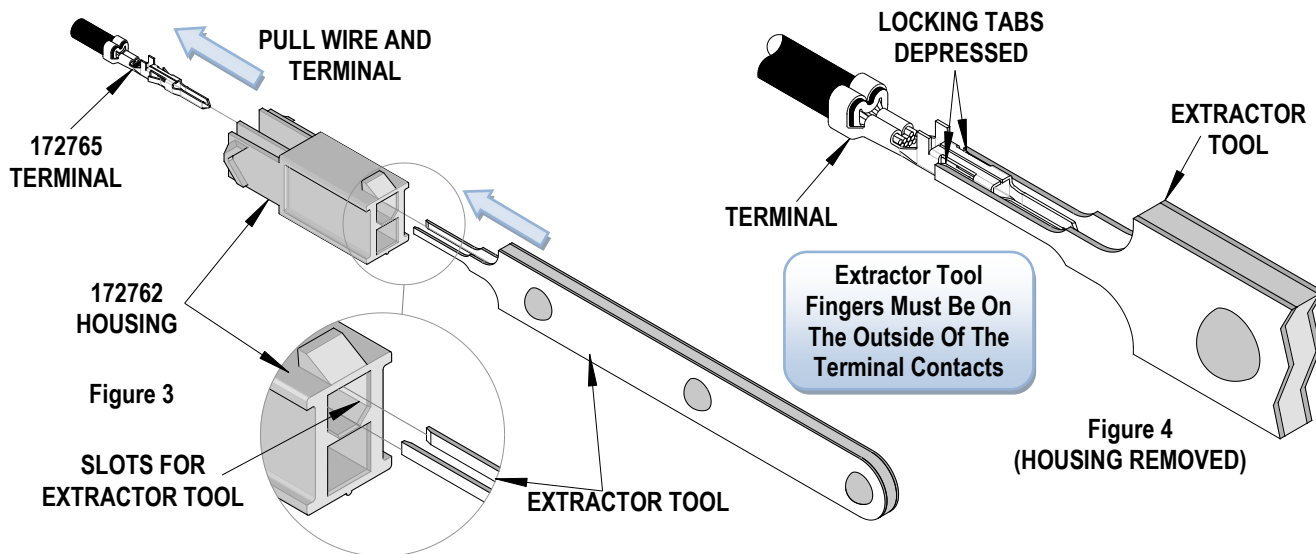
### For 172718 Terminal

1. Insert the extractor tool into the housing as shown in See Figure 1.
2. Use the slots located on the inside of the housing to guide the extraction tool blades into the housing until contact is made with terminal.
3. Continue to insert the tool always checking to see that the blades of extraction tool are on the outside of the contact as shown in Figure 2.

4. Continue to insert extraction tool into housing until the locking tangs have snapped out of their locked position. If the terminal locking tabs are still not totally depressed, hold on tight to the wire and push it towards the extractor tool, this will completely depress the locking tabs. See Figure 2.
5. Gently pull the terminal wire out from the housing.

**For 172765 Terminal**

1. Insert the extractor tool into the housing as shown in See Figure 3.
2. Use the slots located on the inside of the housing to guide the extraction tool blades into the housing until they make contact with terminal.
3. Continue to insert the tool always checking to see that the blades of extraction tool are centered on the terminal nose and on the outside of the contact as shown in Figure 4.



4. Continue to insert extraction tool into housing until the locking tangs have snapped out of their locked position. If the terminal locking tabs are still not totally depressed, hold on tight to the wire and push it towards the extractor tool, this will completely depress the locking tabs. See Figure 2.
5. Gently pull the terminal wire out from the housing.

**NOTE:** When a terminal is removed in this manner the locking tangs are damaged and the terminal is not reusable.

**CAUTION:** This extractor tool should be used to extract the terminal only. Using it for unintended purposes may cause injury or damage to parts. Be careful not to deform the end of the terminal.

**CAUTION:** Molex specifications are valid only when used with Molex terminals, applicators and tooling.

Molex does not offer repair parts for Extractor Tools due to the inexpensive nature of these tools.

**Contact Information**

For more information on Molex application tooling please contact Molex at 1-800-786-6539.

Visit our Web site at <http://www.molex.com>