

TABLE-2

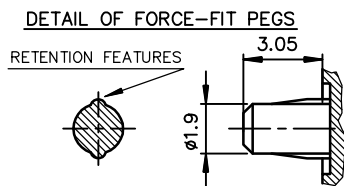
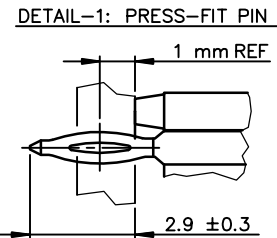
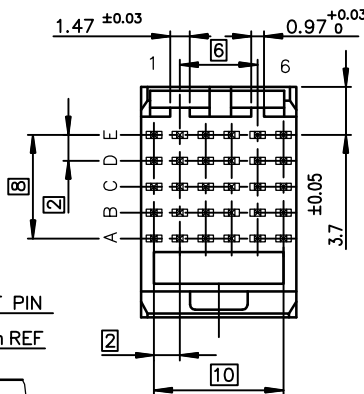
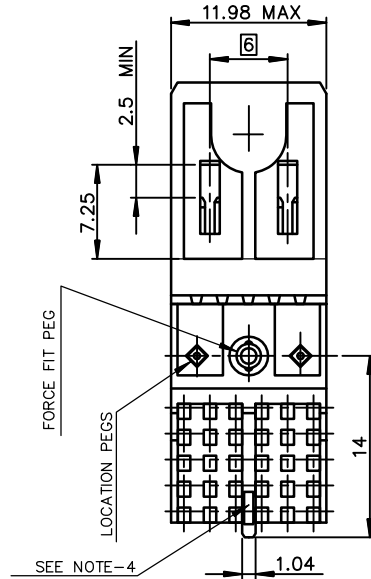
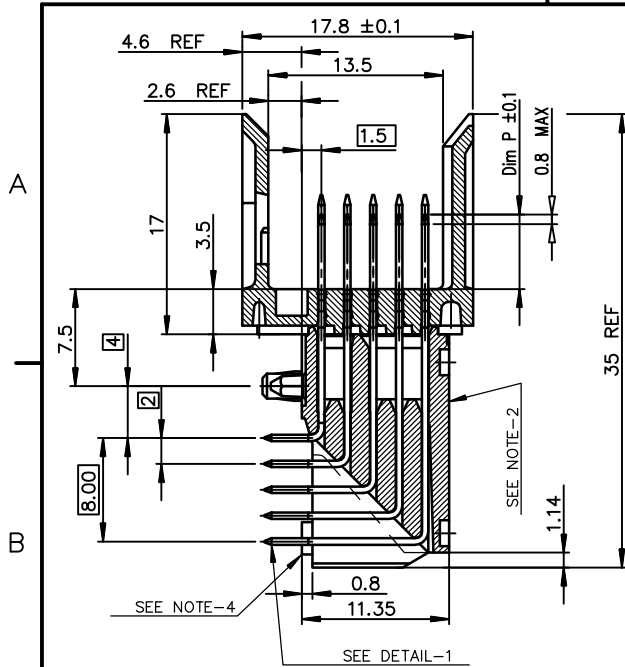
PART NUMBER	ROW	CONTACT CODE CONFIGURATION					
		1	2	3	4	5	6
HM1L51ZDP505H6PLF	E	04	02	02	02	02	02
	D	04	02	02	02	02	02
	C	04	02	02	02	01	04
	B	04	02	02	02	02	02
	A	04	02	02	02	02	02

PART NUMBER	ROW	CONTACT CODE CONFIGURATION					
		1	2	3	4	5	6
HM1L51DDP345H6PLF	E	03	03	03	03	03	03
	D	03	03	03	03	03	03
	C	03	03	03	03	03	03
	B	-	-	-	-	-	-
	A	03	03	03	03	03	03

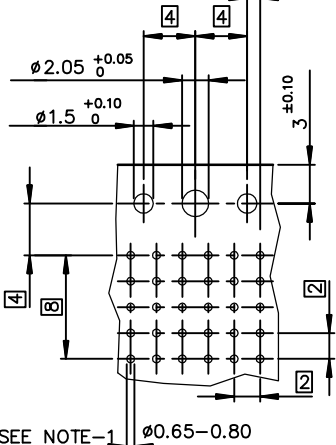
PART NUMBER	ROW	CONTACT CODE CONFIGURATION					
		1	2	3	4	5	6
HM1L51ZDP346H6PLF	E	01	01	01	01	01	01
	D	02	02	02	02	02	02
	C	02	02	02	02	02	02
	B	01	01	01	01	01	01
	A	01	01	01	01	01	01

TABLE-1

CONTACT CODE		DIM-P
01	5.00	
02	5.75	
03	6.50	
04	7.25	
19	8.00	
-	NO CONTACT	



LAYOUT FOR P.C.B (PER 12mm LENGTH)



GENERAL CHARACTERISTICS AND ROHS INFORMATIONS:

SEE Prod. Spec GS-12-445

SPECIFIC DATAS: CONTACT LOADING SEE TABLE-1 & 2

NOTE-2: FLAT ROCK INSERTION TOOLING, ON ALL THIS SURFACE

NOTE-3: EYE OF THE NEEDLE PRESS FIT PIN TYPE

NOTE-4: REAR CENTRAL SUPPORT FOR BETTER ASSY ON PCB

European Views

www.fciconnect.com		surface ISO 1302 ✓		tolerance std ISO 406 ISO 1101		projection	mm
TOLERANCES UNLESS OTHERWISE SPECIFIED							
Dr	LENOIR	2007/03/05	ANGULAR	LINEAR	0.X	±0.51	size A3
Eng	LENOIR	2007/03/05			0.XX	±0.13	
Chr	LEGARE	2007/03/05	0.XX ±2		0.XXX	±0.1	ECN
Appr	LEGARE	2007/03/05	Product family		METRAL	Spec ref -	
FCI		title METRAL RA HDR 5 ROW SIGN.			dwg no C-8626-11318		Rev. C
		catalog no -			CUSTOMER		sheet 1 of 1

rev	ecn no	dr	date
A	-	MLE	2007/03/05
B	LS07-0163	MLE	2007/03/13
C	DG10-0147	Cenh	2010/04/19
-	-	-	-
-	-	-	-
-	-	-	-

