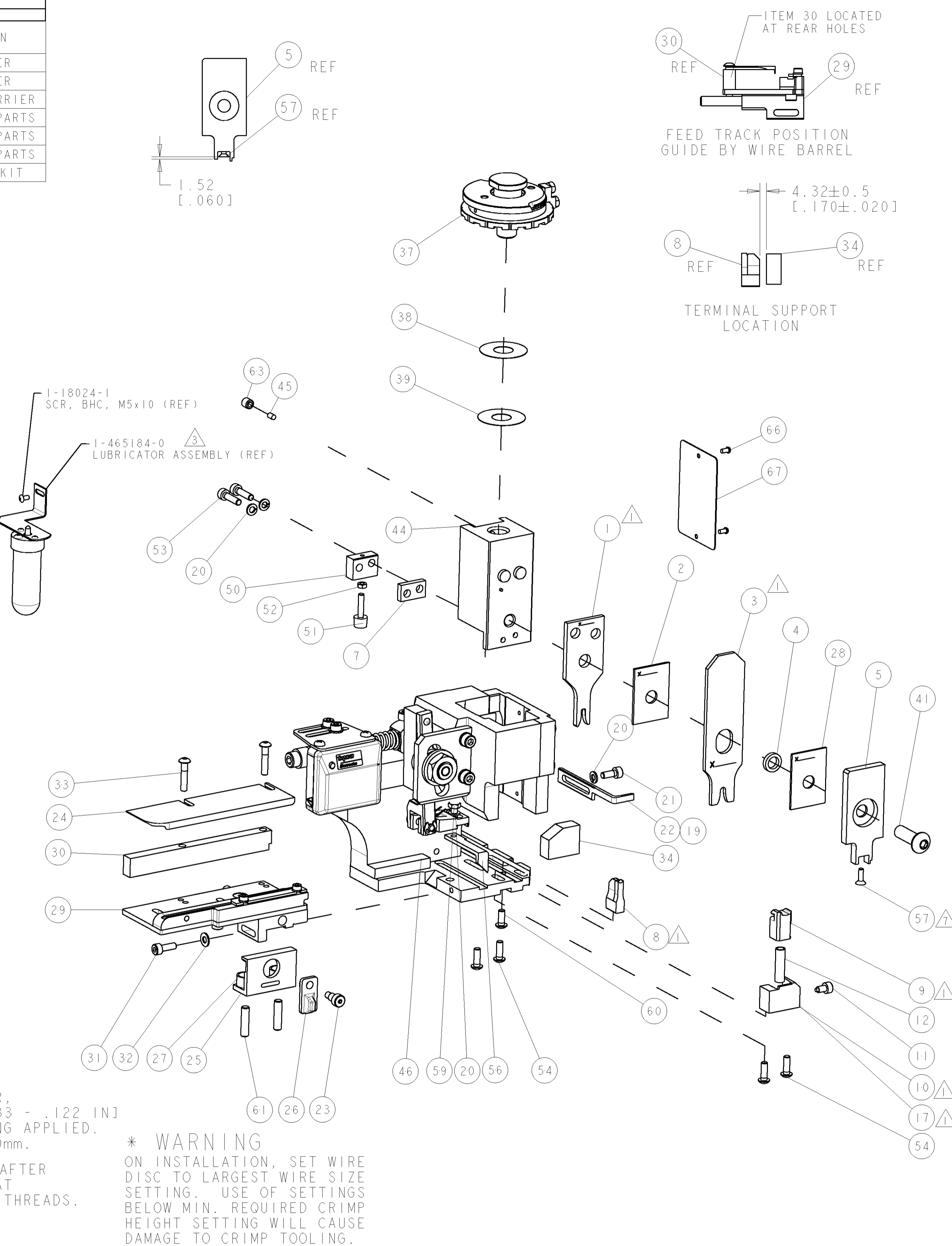
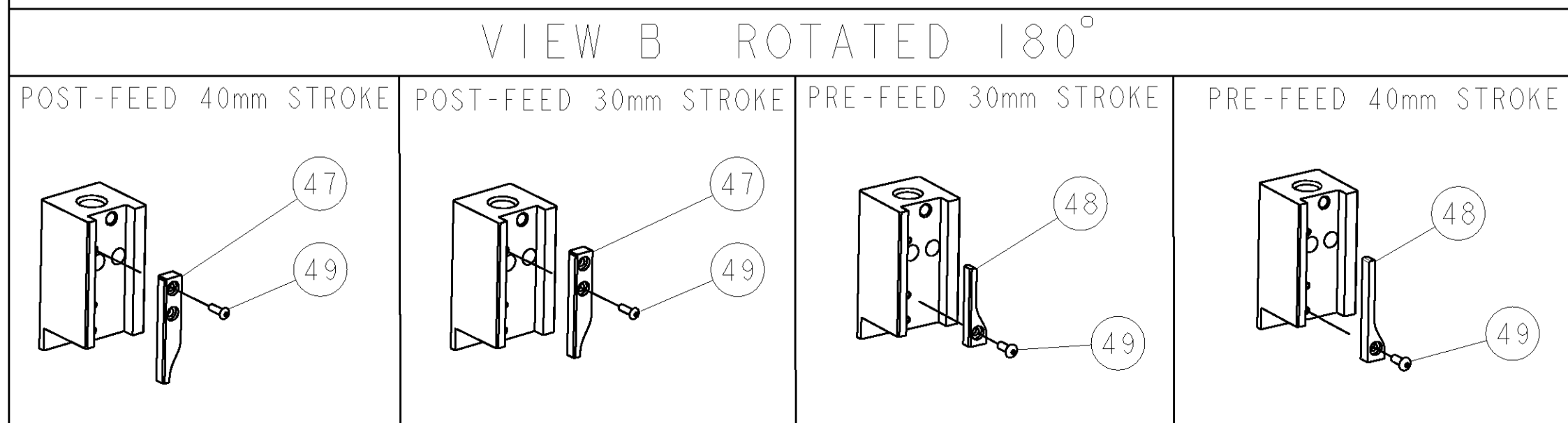


PART NUMBER	REV	TERMINATOR	FEED TYPE	DESCRIPTION
1528685-1	A	LEADMAKER	MECH POST FEED	CUTS CARRIER
1528685-2	A	BENCH	MECH PRE FEED	CUTS CARRIER
1528685-6	A	LEADMAKER	MECH POST FEED	CONTINUOUS CARRIER
7-1528685-1	A	LEADMAKER	MECH POST FEED	-1 AND SPARE PARTS
7-1528685-2	A	BENCH	MECH PRE FEED	-2 AND SPARE PARTS
7-1528685-6	A	LEADMAKER	MECH POST FEED	-6 AND SPARE PARTS
7-1528685-7	A	-	-	SPARE PARTS KIT

CRIMP DATA		LEAR GHW TERMINAL		LEAR CRIMP SPEC $\Delta$ 5	
TERMINAL NAME: RAM PLUS PIN CONTACT					
CRIMP	SIZE	TYPE	RANGE		
WIRE	2.79 [1.110 IN]	F	1.50-2.50mm <sup>2</sup>		
INSUL	4.06 [1.160 IN]	O	2.10-2.80 [1.083-.110 IN] $\Delta$ 6		
WIRE STRIP LENGTH 5.00 [1.97 IN]		APPL INSTRUCTIONS 408-8322 & 408-8490 $\Delta$ 6			
TERMINAL LEAR DATA SHT. APPL SPEC 26034 $\Delta$ 5		FEED 8.90 [3.50 IN]			
TERMINALS APPLIED					
TYCO TERM PN	MANUF TERM PN	TYCO SEAL PN	MANUF SEAL PN		
1949094-1	26034.201.179	1949095-1	16694.627.626		
WIRE SIZE		CRIMP HEIGHT	REF SETTING		
2.50 mm <sup>2</sup>		1.70 ±0.05 [1.067 ±.002 IN]	B0		
1.50 mm <sup>2</sup>		1.45 ±0.05 [1.057 ±.002 IN]	C7		

- $\Delta$  RECOMMENDED SPARE PARTS.
- 2. GREASE RAM, CAM, CAM FOLLOWER AND FEED ROD LIGHTLY.
- $\Delta$  CERTAIN TERMINALS REQUIRE LUBRICATION. REFER TO THE APPLICATOR INSTRUCTION SHEET FOR MORE INFORMATION.
- 4. LUBRICATE DAILY PER THE APPLICATOR INSTRUCTION SHEET SUPPLIED WITH THE APPLICATOR.
- $\Delta$  ALL CRIMP DATA SUPPLIED BY TERMINAL MANUFACTURER.
- $\Delta$  THIS APPLICATOR APPLIES TERMINAL WITH A SEAL. INSULATION RANGE QUOTED IS THAT OF APPLICATOR. TERMINAL INSULATION RANGE IS 2.10 - 3.10 [1.083 - .122 IN] WIRE INSULATION DIA IS DEPENDENT ON SEAL BEING APPLIED. SEAL PN 1949095-1 INS. DIA RANGE IS -1.9-3.00mm.
- $\Delta$  APPLY TORO-SEAL IN ALLEN SOCKET TO FILL HOLE AFTER FLAT HD HAS BEEN ADJUSTED TO CORRECT HEIGHT AT QUALIFICATION. APPLY #1-23419-5 LOC-TITE TO THREADS.



**\* WARNING**  
ON INSTALLATION, SET WIRE DISC TO LARGEST WIRE SIZE SETTING. USE OF SETTINGS BELOW MIN. REQUIRED CRIMP HEIGHT SETTING WILL CAUSE DAMAGE TO CRIMP TOOLING.

ITEM NO	DESCRIPTION
74	
75	
76	
77	
78	
79	
80	
81	
82	
83	

SET UP GAGE  
458637-3

REV	DATE	BY	APPD
A	21AUG2006	DP	MC

REV	DATE	BY	APPD	DESCRIPTION	ITEM NO
-	-	-	-	-	73
-	-	-	-	-	72
-	-	-	-	-	71
-	-	-	-	-	70
-	-	-	-	-	69
-	-	-	-	-	68
-	-	-	-	-	67
-	-	-	-	-	66
-	-	-	-	-	65
-	-	-	-	-	64
-	-	-	-	-	63
-	-	-	-	-	62
-	-	-	-	-	61
-	-	-	-	-	60
-	-	-	-	-	59
-	-	-	-	-	58
-	-	-	-	-	57
-	-	-	-	-	56
-	-	-	-	-	55
-	-	-	-	-	54
-	-	-	-	-	53
-	-	-	-	-	52
-	-	-	-	-	51
-	-	-	-	-	50
-	-	-	-	-	49
-	-	-	-	-	48
-	-	-	-	-	47
-	-	-	-	-	46
-	-	-	-	-	45
-	-	-	-	-	44
-	-	-	-	-	43
-	-	-	-	-	42
-	-	-	-	-	41
-	-	-	-	-	40
-	-	-	-	-	39
-	-	-	-	-	38
-	-	-	-	-	37
-	-	-	-	-	36
-	-	-	-	-	35
-	-	-	-	-	34
-	-	-	-	-	33
-	-	-	-	-	32
-	-	-	-	-	31
-	-	-	-	-	30
-	-	-	-	-	29
-	-	-	-	-	28
-	-	-	-	-	27
-	-	-	-	-	26
-	-	-	-	-	25
-	-	-	-	-	24
-	-	-	-	-	23
-	-	-	-	-	22
-	-	-	-	-	21
-	-	-	-	-	20
-	-	-	-	-	19
-	-	-	-	-	18
-	-	-	-	-	17
-	-	-	-	-	16
-	-	-	-	-	15
-	-	-	-	-	14
-	-	-	-	-	13
-	-	-	-	-	12
-	-	-	-	-	11
-	-	-	-	-	10
-	-	-	-	-	9
-	-	-	-	-	8
-	-	-	-	-	7
-	-	-	-	-	6
-	-	-	-	-	5
-	-	-	-	-	4
-	-	-	-	-	3
-	-	-	-	-	2
-	-	-	-	-	1

REV	DATE	BY	APPD	DESCRIPTION	ITEM NO				
-77	-76	-72	-71	-6	-2	-1	PART NO	DESCRIPTION	ITEM NO