

Series **D XX S 24B 6 XX 22 LF**

Number of contacts  
09 , 15 , 25 , 37

Contacts  
S : Socket

Plating  
6 - 500 Mating / Unmating Mini

Packaging specification  
Tape and Reel For connector with cap  
See Note RoHS

### Termination

Code	Type	Foot Print/Pitch	Length of termination	PCB thickness
24B	Straight version	6 / 2.84mm	2.90	2.4

### NOTE RoHS INFORMATION

- The "LF" product meet european union Directives and other country regulations asdescribed in GS-22-008.
- The housing will whistand exposure to 260<sup>o</sup> peak temperature for 30 seconds in a convection , infra-red or vapor reflow oven. See application notes/procedures if are available.
- Termination plating spec:1.27 $\mu$  Nickel mini,2.5 to 7.5 $\mu$  Sn(pure mate)
- Shell plating : Nickel bright
- Accessories : Sn pure bright
- Packaging spec ; See GS-14-920

### Mounting Options

RL	Insert M3
RV	Female Screw UNC 4-40
RX	Insert UNC 4-40

### Product Specification

see : GS-12-372

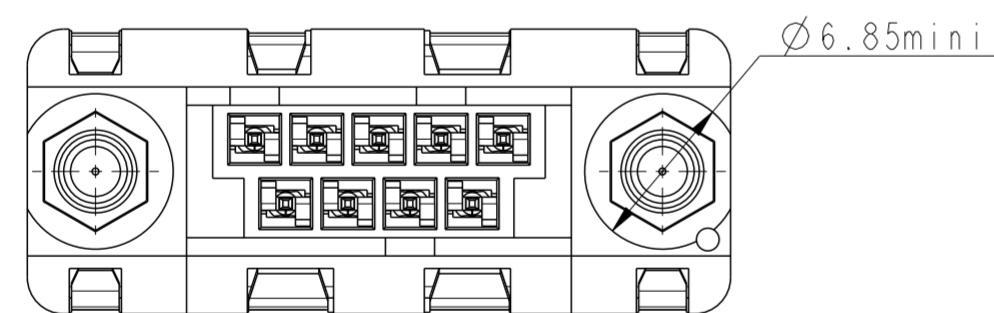
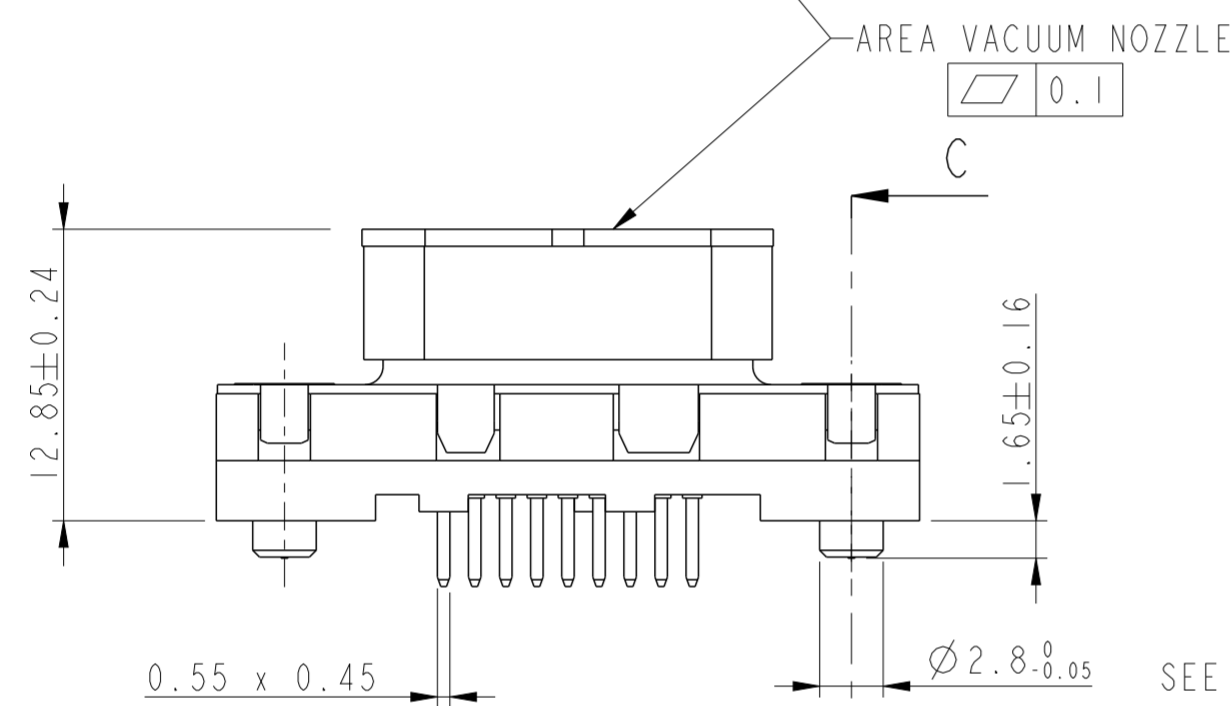
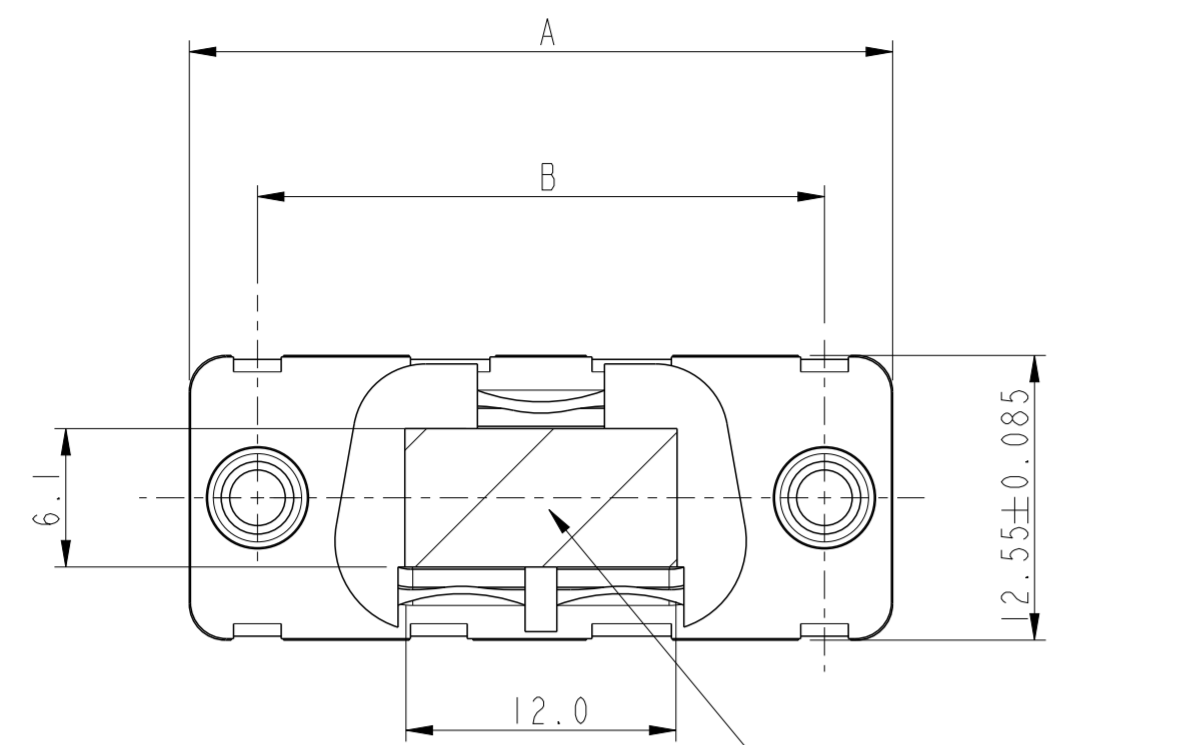
### Packaging Specification

See GS-14-1052

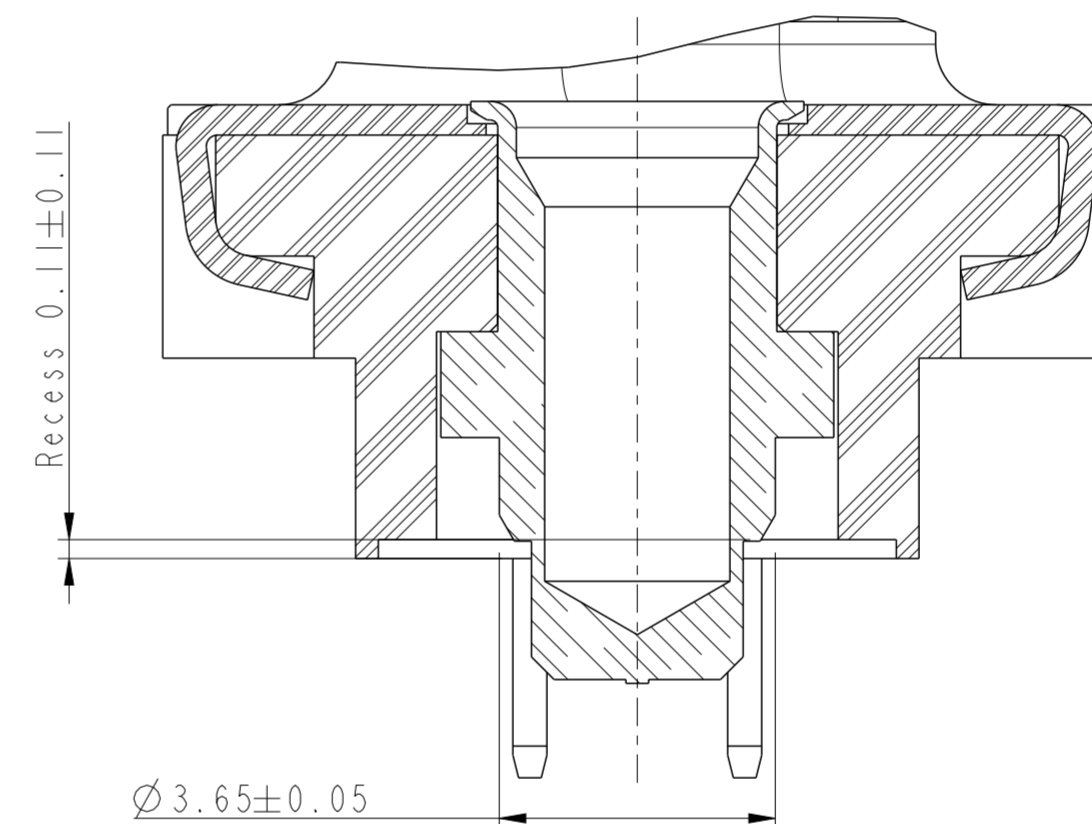
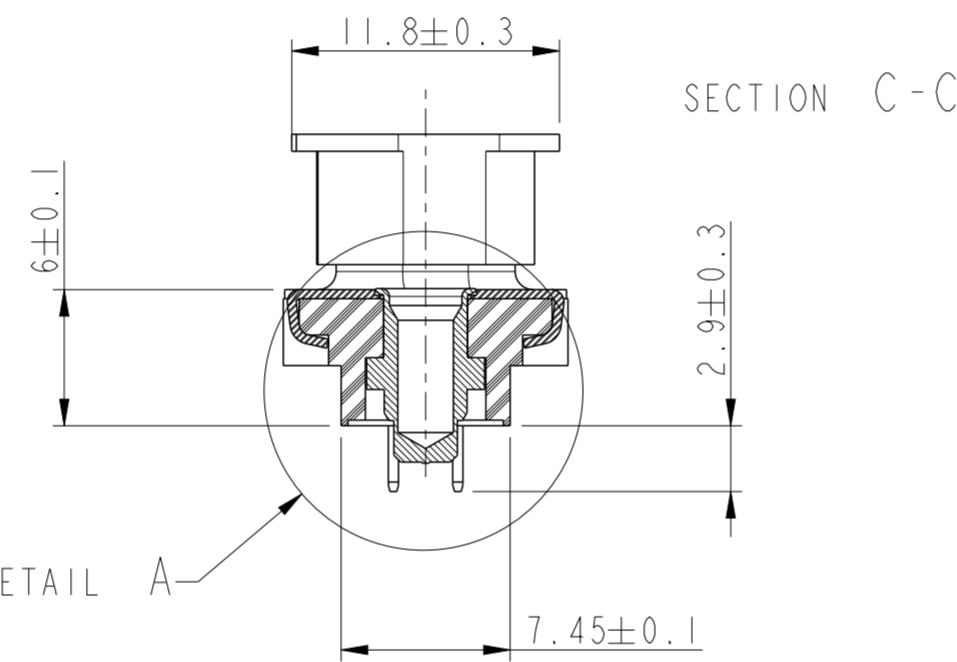
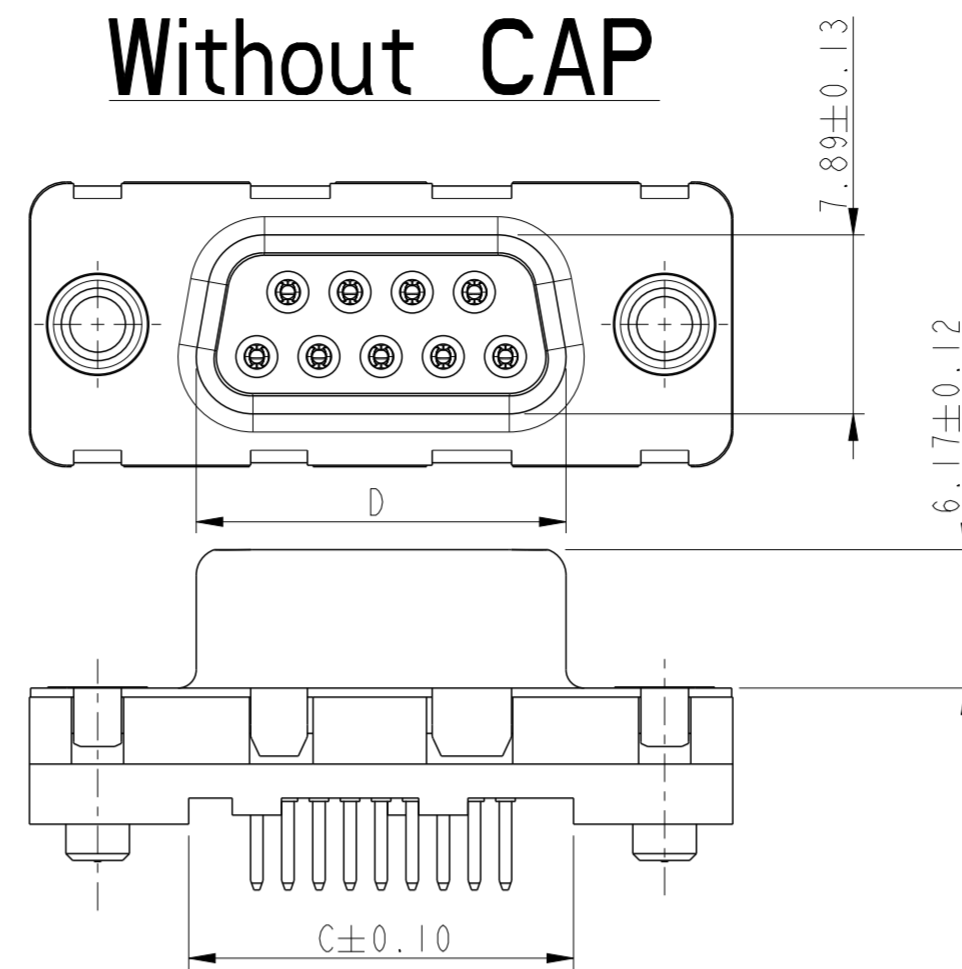
rev	ecn no	dr	YY/MM/DD
I	CREATED	HLE	22/08/06
A	LS06-0223	PCR	2006/12/21
B	LS08-0112	HLE	2008-04-21
C	LS08-0116	HLE	2008-04-24
D	110-0197	NG	2010-10-14
-	-	-	-
-	-	-	-

www.fciconnect.com		surface - <input checked="" type="checkbox"/> ISO 1302	tolerance std ISO 406 ISO 1101	projection	mm
TOLERANCES UNLESS OTHERWISE SPECIFIED					
Dr	P. CRON	22/08/06	ANGULAR	0.X $\pm 0.3$	size A3
Eng	H. LEGALLIC	22/08/06	LINEAR	0.XX $\pm 0.1$	Scale 2:1
Chr	NIRMAL G	2010-10-14	0° $\pm 2^\circ$	0.XXX $\pm 0.05$	ECN 110-0197
Appr	SUDHIR V	2010-10-14	Product family	-	Spec ref -
		SUB DELTA D PIP FEMALE H=2.9		dwg no C01-8646-0888	Rev. D
		straight for tape and reel packaging		CUSTOMER	sheet 1 of 2
		catalog no SEE TABLE			

# With CAP



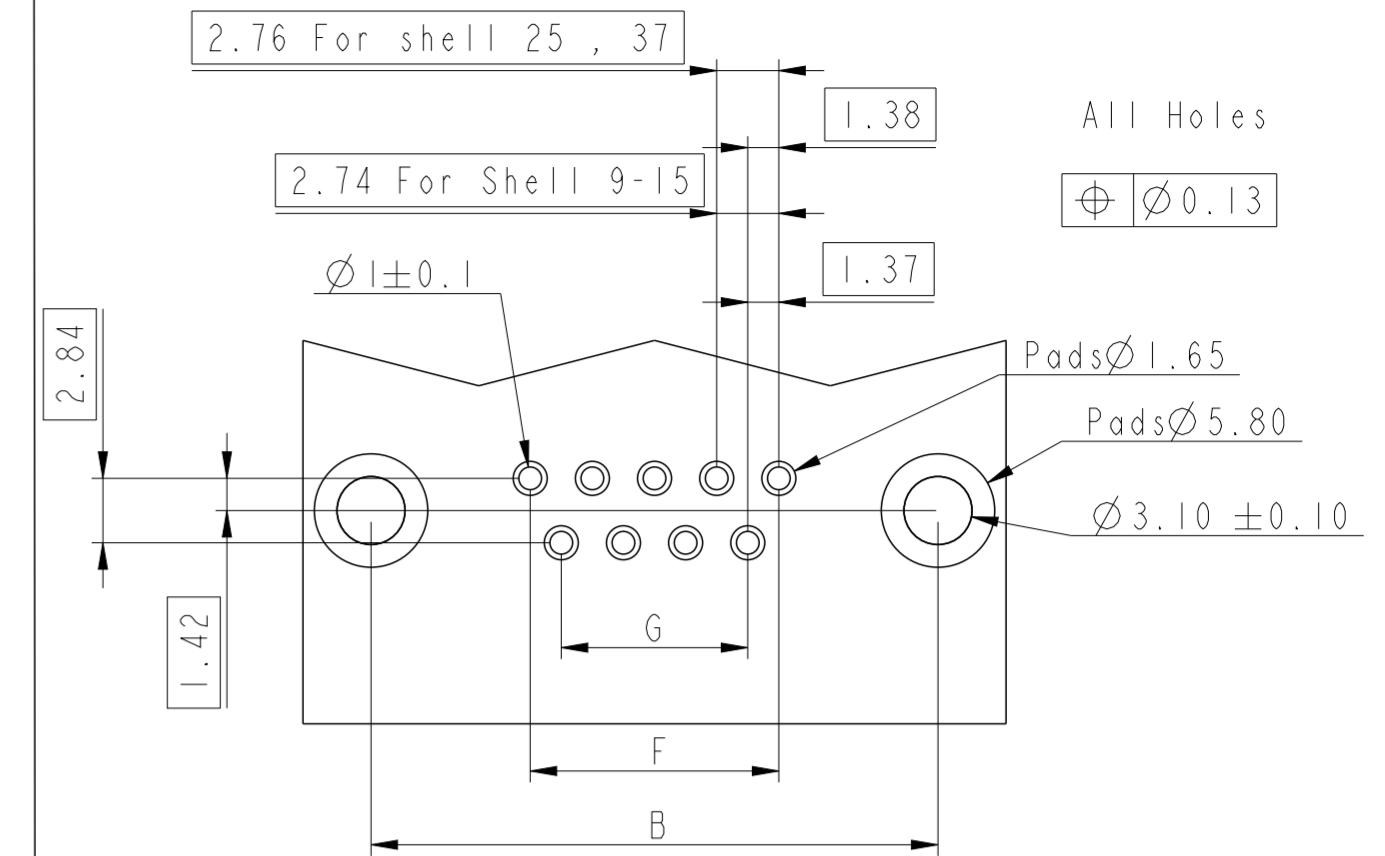
# Without CAP



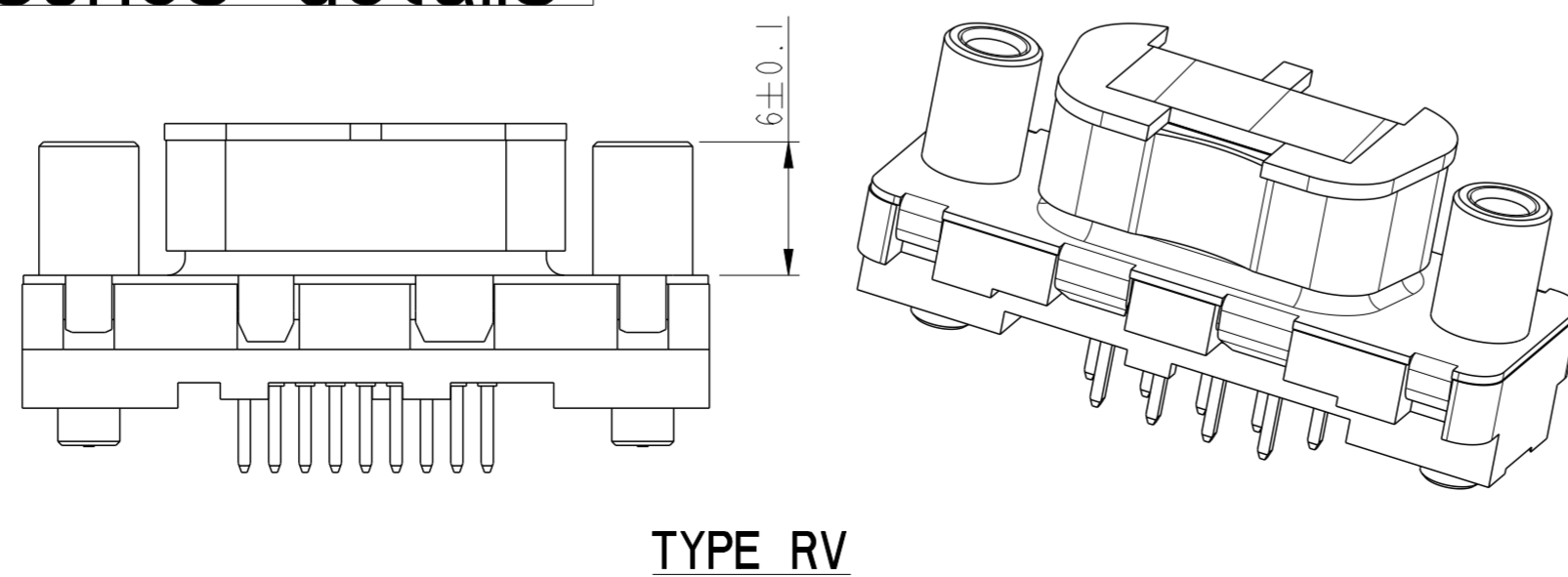
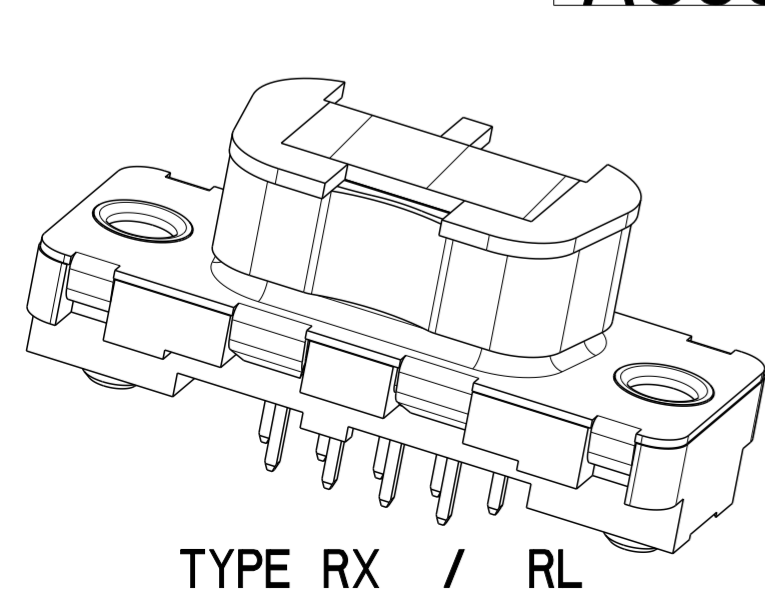
TRUE POSITIONING :  $\oplus \varnothing 0.36$

DETAIL A  
SCALE 10:1

PCB Card Drilling dimensions and Pads recommended (after plating - Thickness : 240 μm)



# Accessories details



SHELL	P/N LEAD FREE	A ±0.38	B ±0.10	C ±0.10	D +0.25 0	F	G
09	D09S04B6xx22LF	30.81	24.99	16.96	16.21	10.96	8.22
15	D15S04B6xx22LF	39.14	33.32	25.18	24.54	19.18	16.44
25	D25S04B6xx22LF	53.03	47.04	39.12	38.25	33.12	30.36
37	D37S04B6xx22LF	69.32	63.50	55.68	54.71	49.68	46.92

www.fciconnect.com		surface	tolerance std	projection	mm
		ISO 1302	ISO 406 ISO 1101	$\oplus \ominus$	
TOLERANCES UNLESS OTHERWISE SPECIFIED					
Dr	P. CRON	22/08/06	ANGULAR	0.x	±0.3
Eng	H. LEGALLIC	22/08/06	LINEAR	0.xx	±0.1
Chr	NIRMAL G	2010-10-14	0° ±2°	0.xxx	±0.05
Appr	SUDHIR V	2010-10-14	Product family	-	Spec ref
FCJ		TITLE		Rev.	
		SUB DELTA D PIP FEMALE H=2.00		C01-8646-0888	
		straight for tape and reel packaging		D	
		catalog no		SEE TABLE	
		CUSTOMER		sheet 2 of 2	