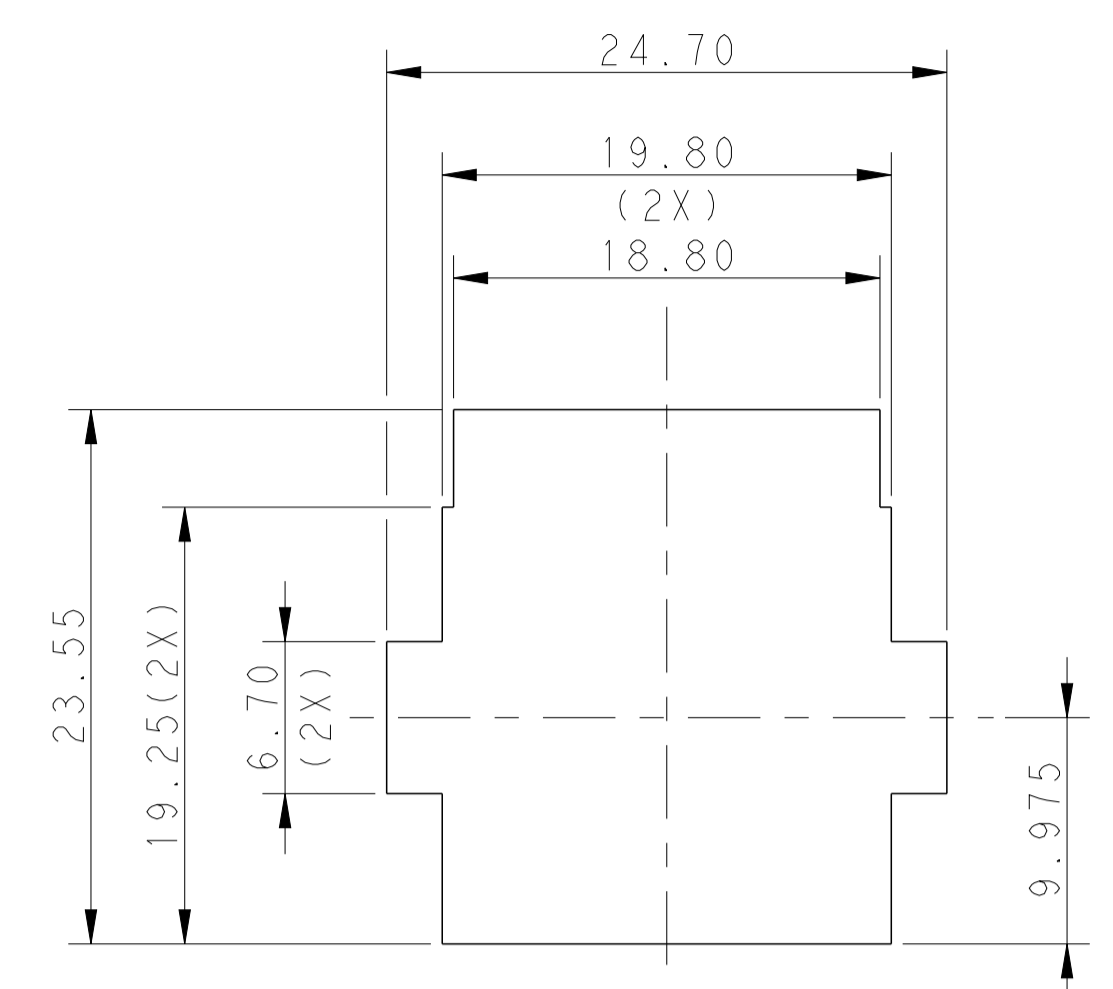
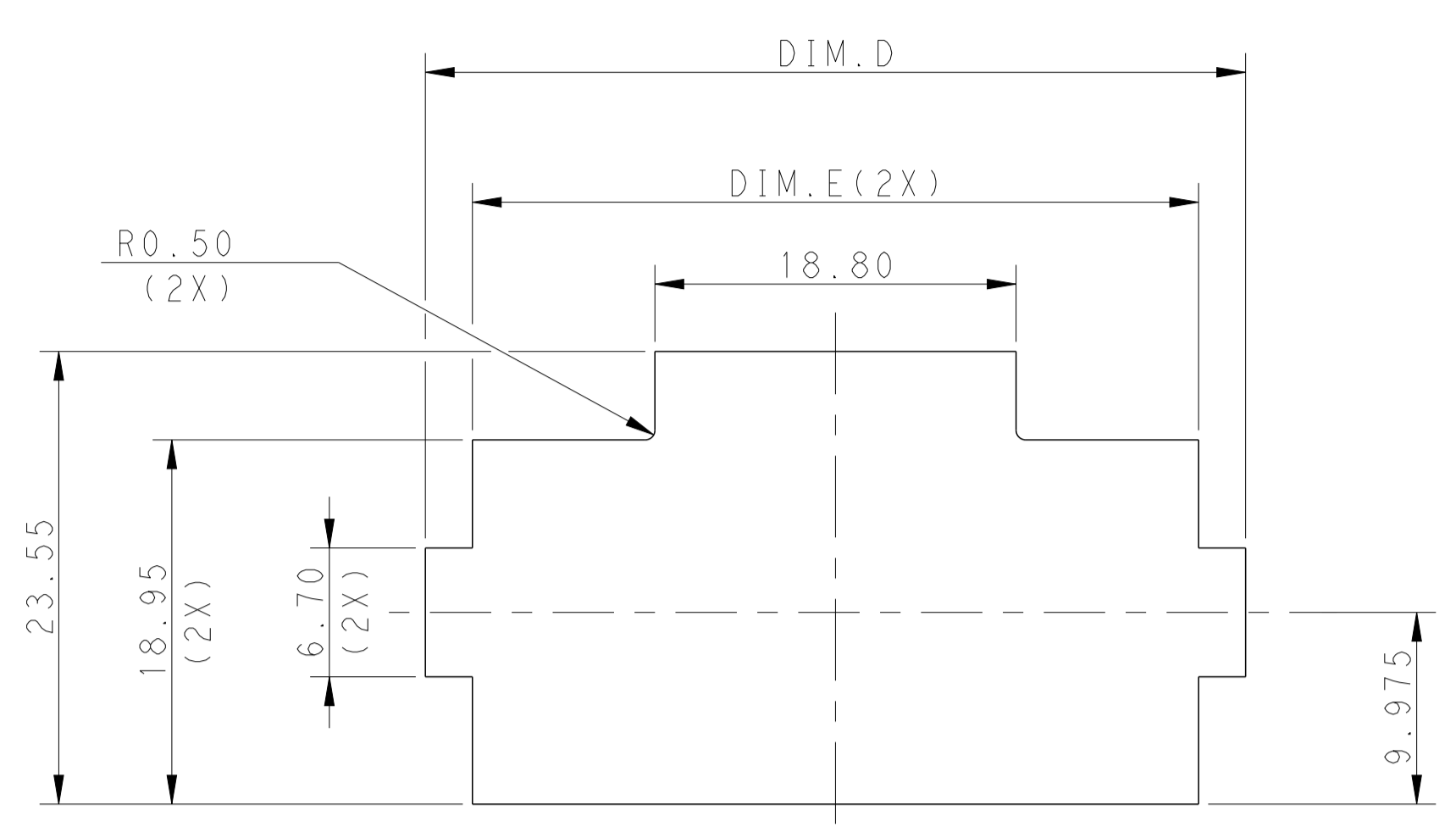
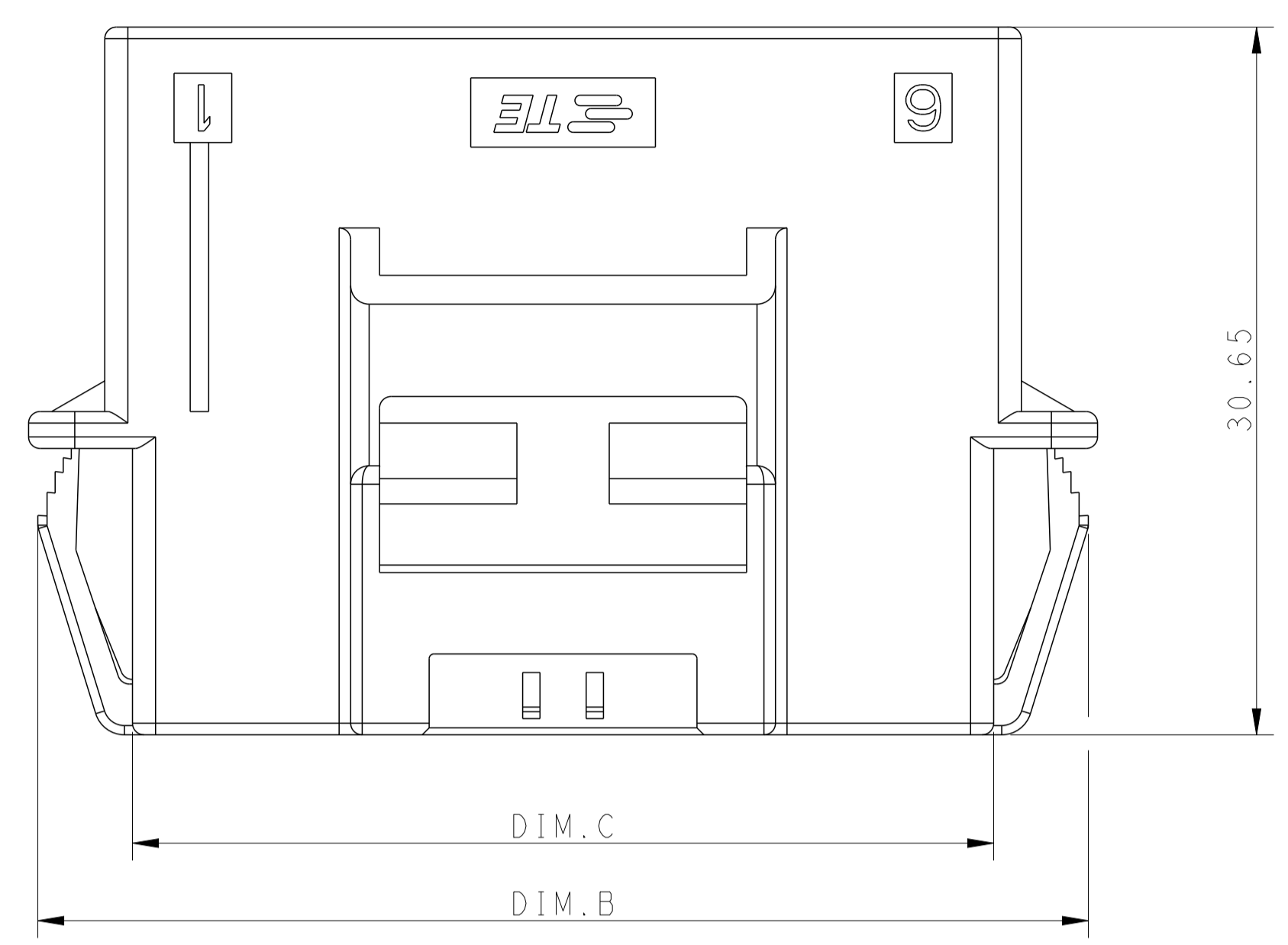
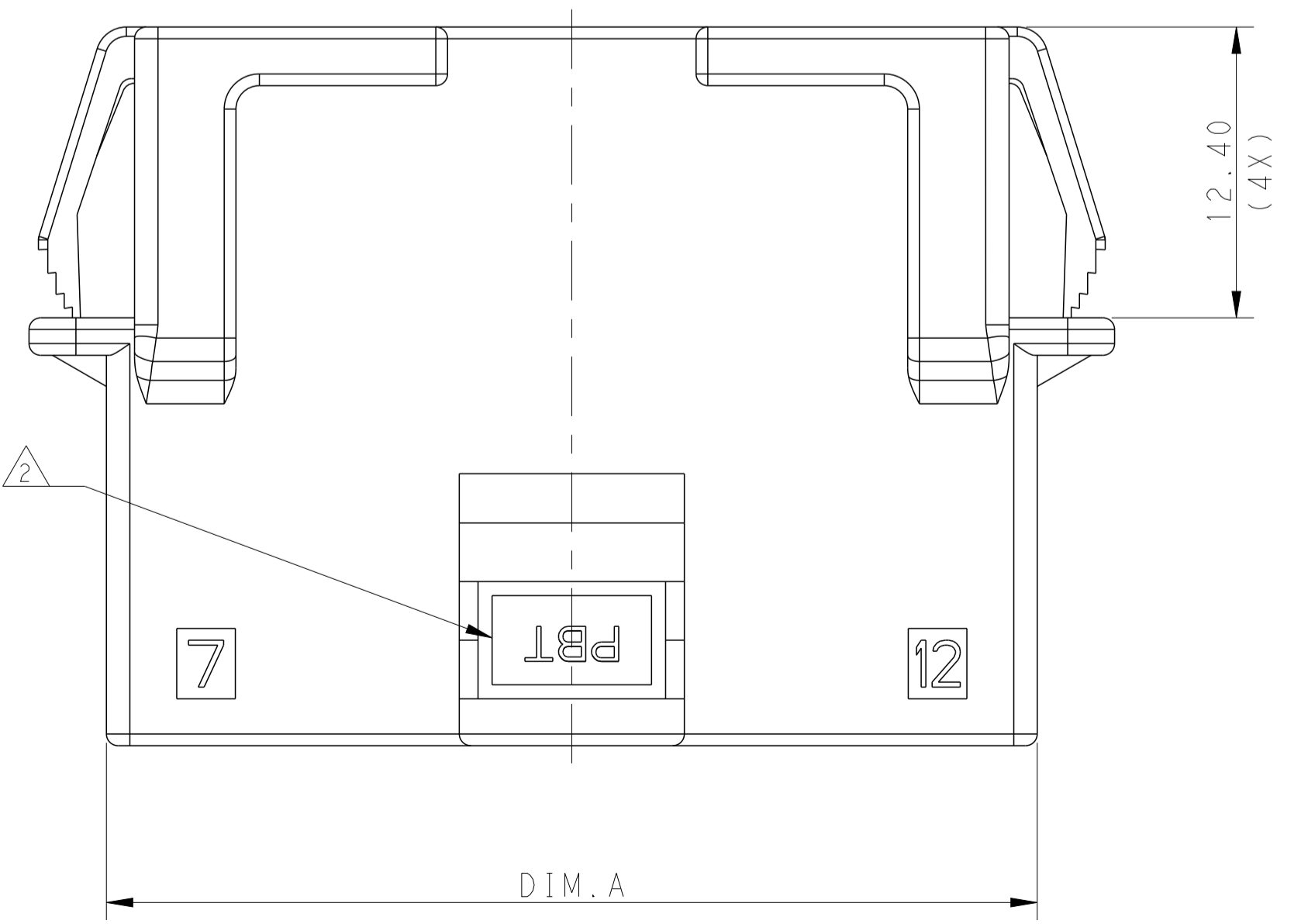
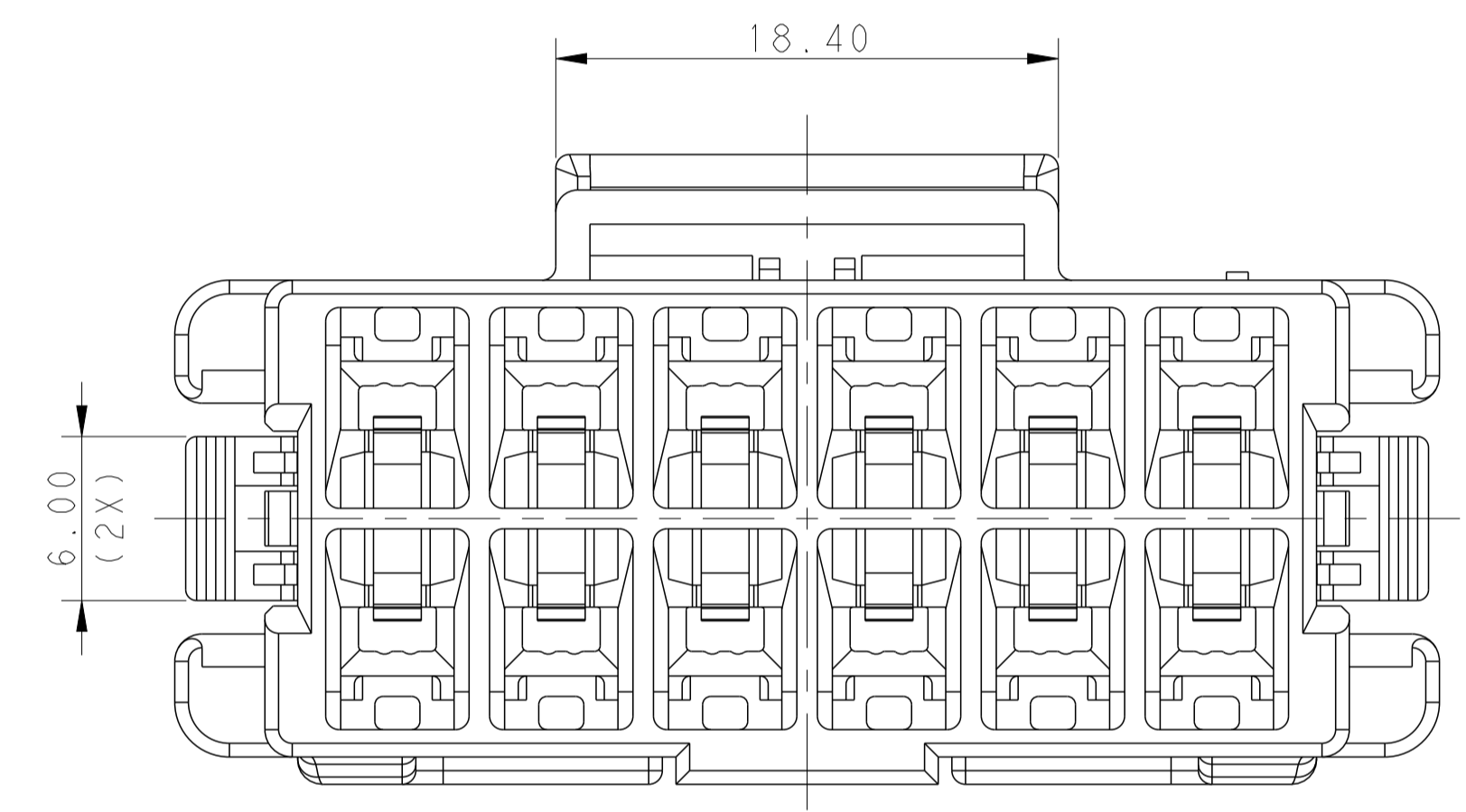
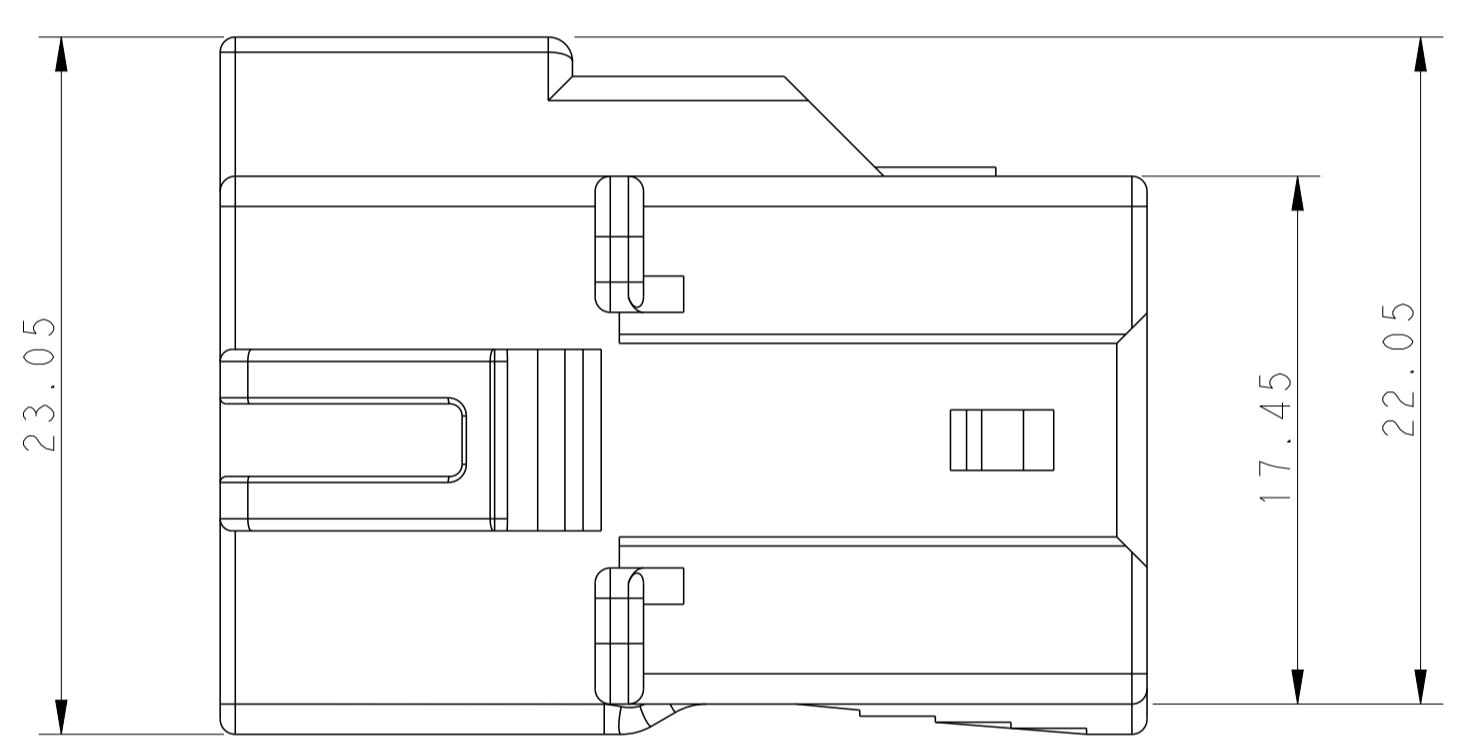
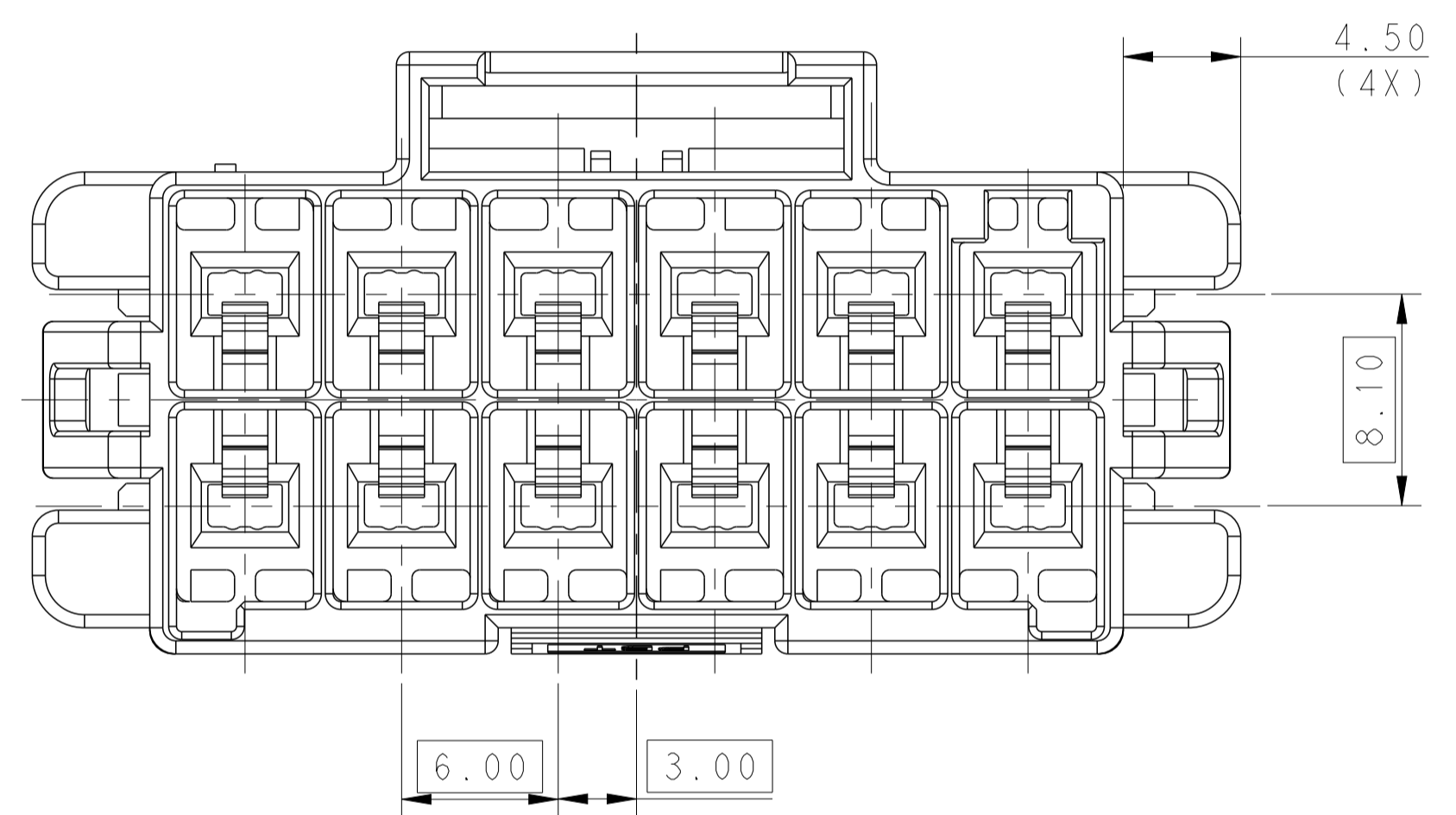


LOC		DIST		REVISIONS			
P	LTN	DESCRIPTION	DATE	DWN	APVD		
C		REVISED PER ECR-16-003314	15JUL2016	BW	GJ		



RECOMMENDED PANEL OPENING DIMENSIONS
 FOR CAP HOUSING 2*6 AND 2*5 AND 2*4 POSITIONS
 (TOLERANCE: ±0.15mm)

RECOMMENDED PANEL OPENING DIMENSIONS
 FOR CAP HOUSING 2*3 POSITION
 (TOLERANCE: ±0.15mm)



- 1 MATERIAL:
 LEVEL 1:PBT, STANDARD TEMPERATURE 105°C
 KEY A:NATURAL; KEY B:PURPLE; KEY C:BLUE; KEY D:YELLOW

 LEVEL 2:NYLON, HIGH TEMPERATURE 150°C
 KEY A:LIGHT GREY; KEY B:RED; KEY C:BLACK; KEY D:NATURAL
- 2 MATERIAL MARK:
 LEVEL 1:PBT, LEVEL 2:HDT
- 3 APPLICABLE CONTACT P/N
 TAB CONTACT:1971238/1971780/82/84/86/88-*,2238067-*
- 4 MATING CONN. P/N
 PLUG HSG: *-1971776-
 TPA(LOCK PLATE): *-1971778-*
- 5 RECOMMENDED PANEL THICKNESS:1.0-2.0mm

6 THIS PRODUCT HAS NOT COMPLETED VALIDATION TESTING

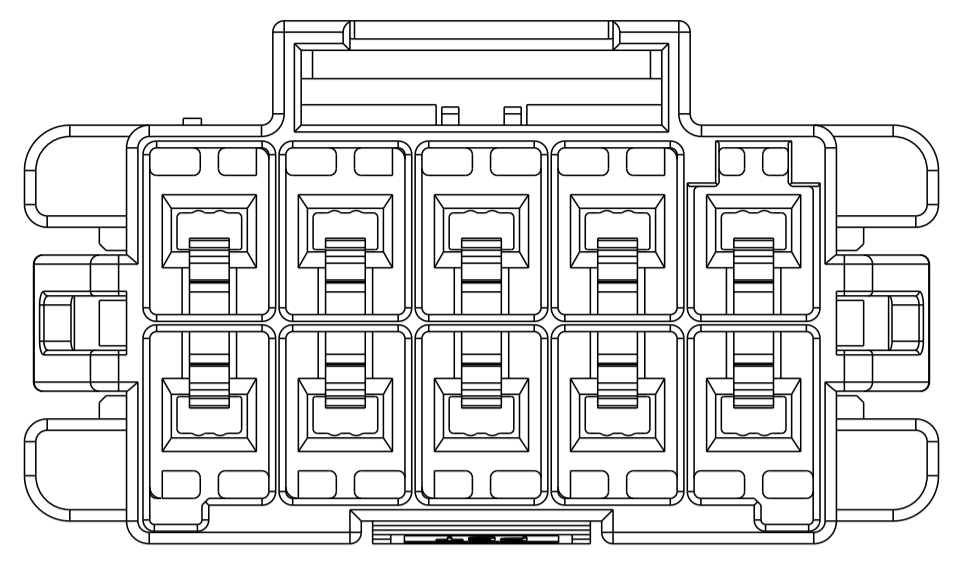
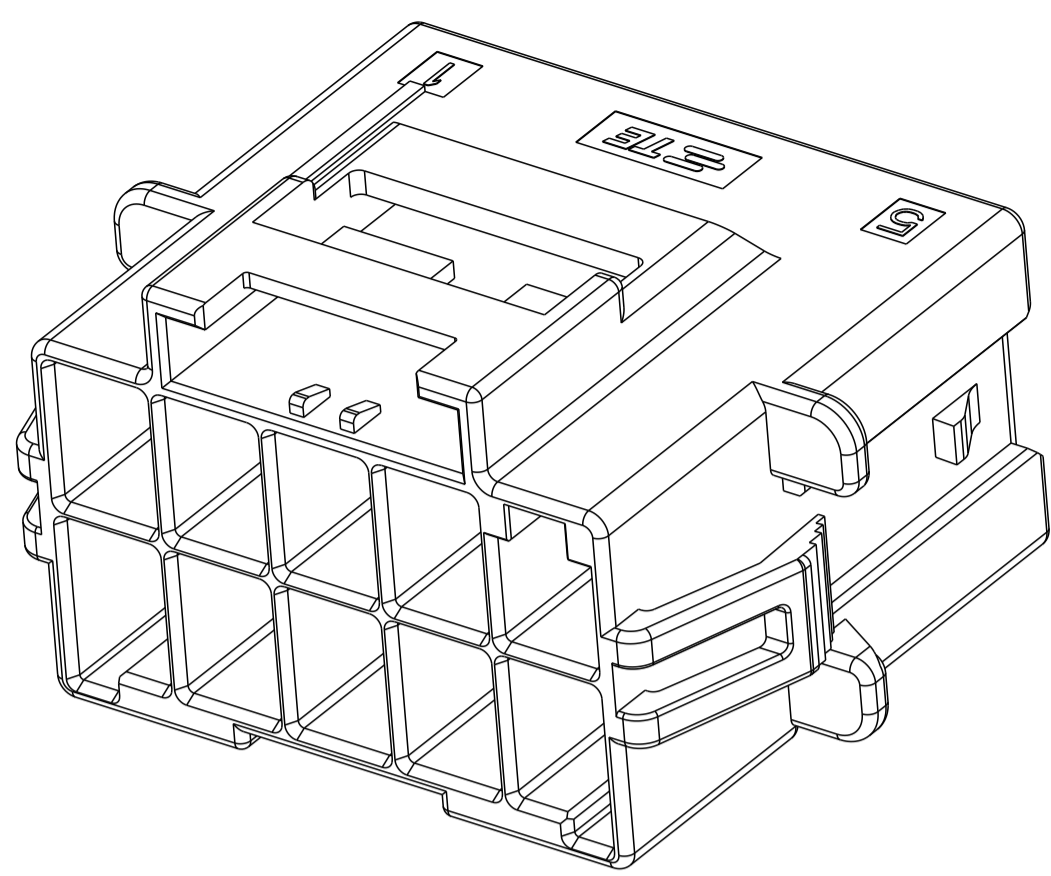
POS	A	B	C	D	E
2*6	39.70	45.5	37.30	42.70	37.80
2*5	33.70	39.5	31.30	36.70	31.80
2*4	27.70	33.5	25.30	30.70	25.80
2*3	21.70	27.5	19.30		

THIS DRAWING IS A CONTROLLED DOCUMENT.

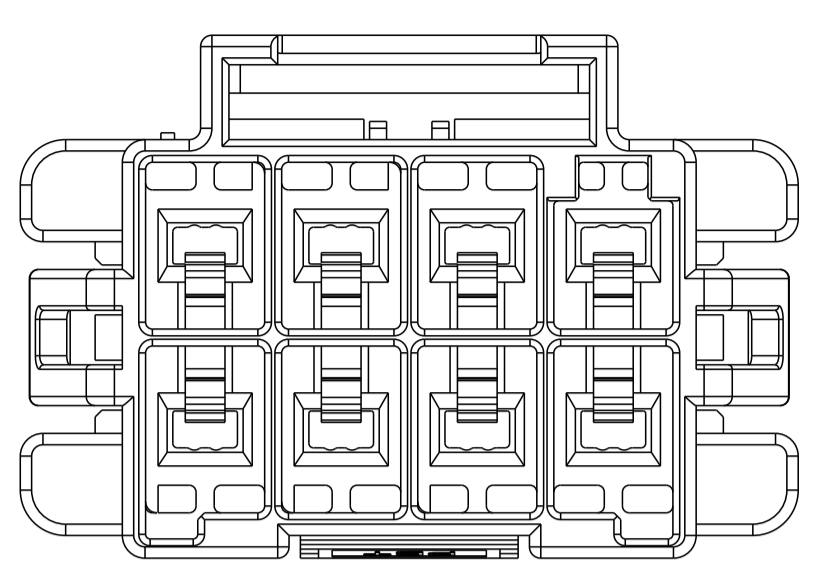
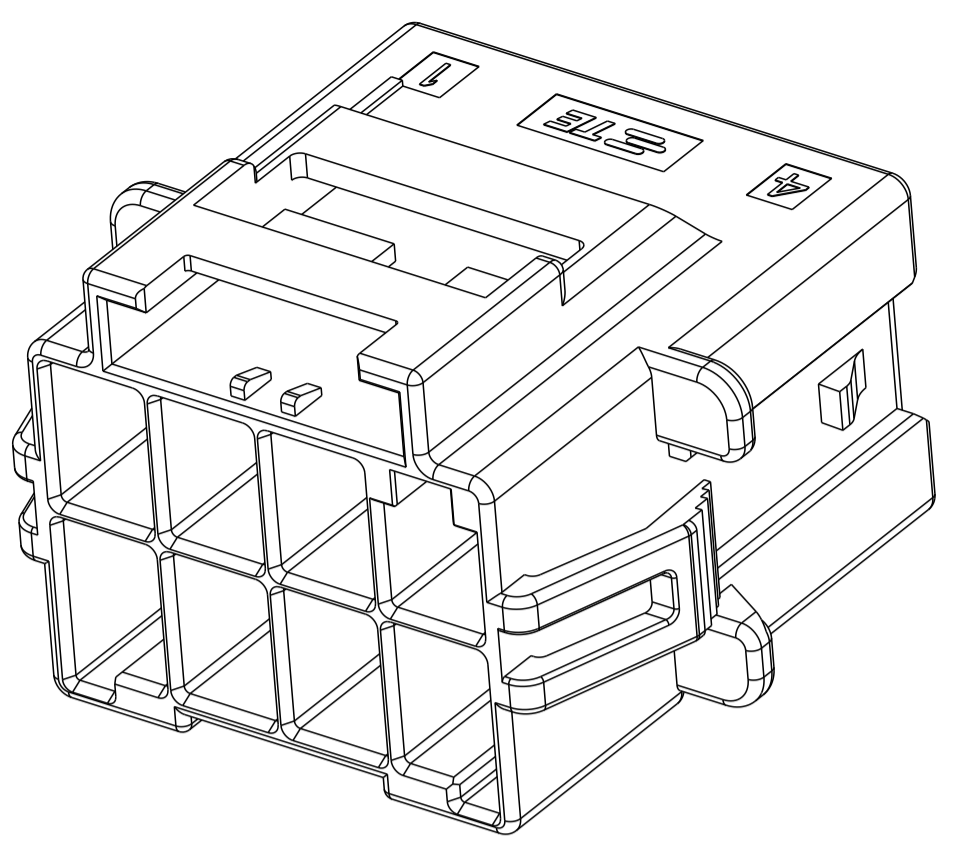
DIMENSIONS:	TOLERANCES UNLESS OTHERWISE SPECIFIED:	DWN TOMMY WU 06JUL2012	TE Connectivity NAME CAP HOUSING, PANEL MOUNT, DOUBLE ROW POWER TRIPLE LOCK
mm	0 PLC ±0.35	CHK HAPYE WU 06JUL2012	
	2 PLC ±0.25	APVD YUHONG MAO 06JUL2012	
	3 PLC ±0.25	PRODUCT SPEC	
	4 PLC ±0.25	APPLICATION SPEC	SIZE CAGE CODE DRAWING NO
	ANGLES ±0.5	114-106118	A100779C=1971775
MATERIAL	FINISH	WEIGHT	RESTRICTED TO
			Customer Drawing

SCALE - SHEET 1 OF 2 REV C

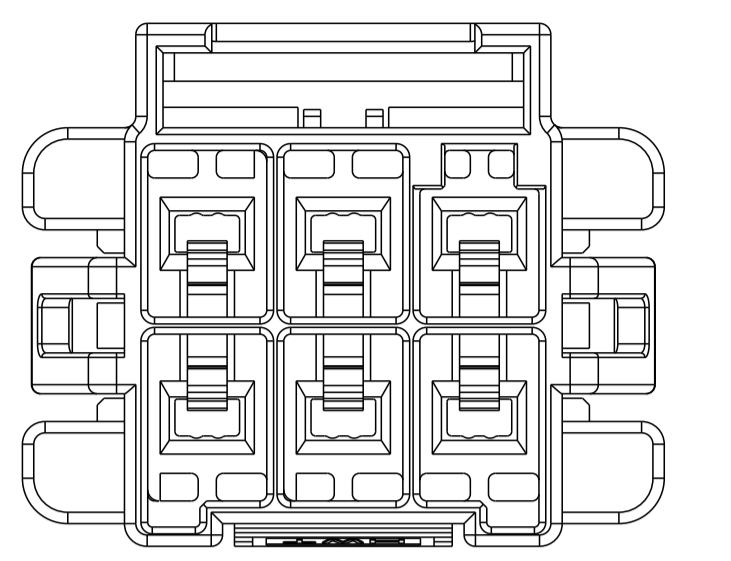
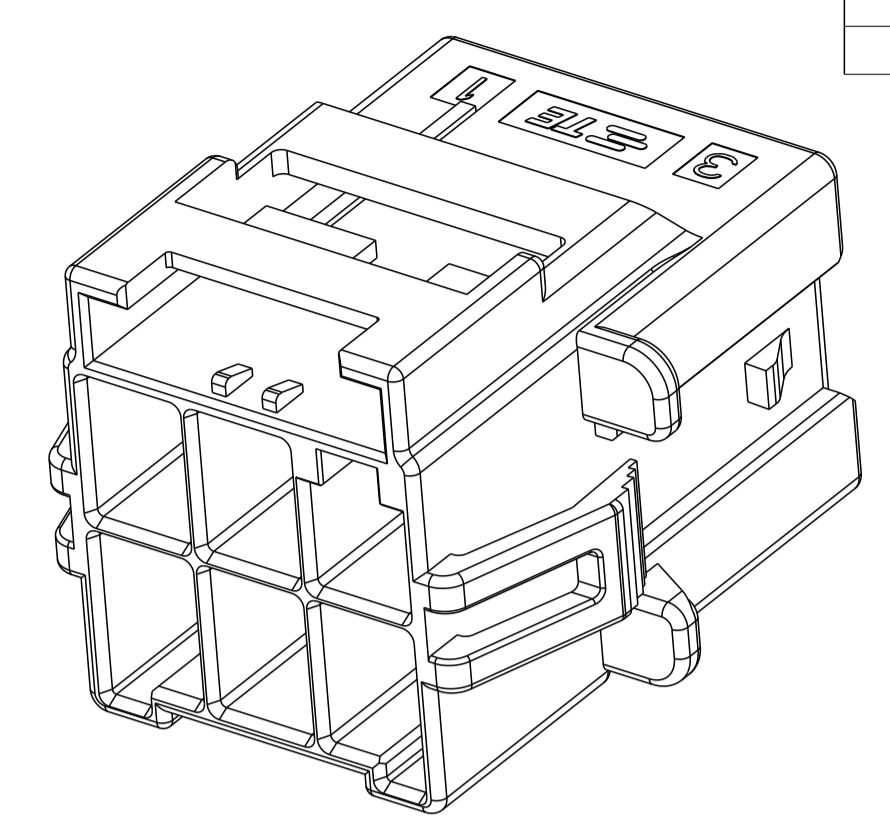
LOC		DIST		REVISIONS			
P	LTN	DESCRIPTION	DATE	OWN	APVD		
-	-	SEE SHEET 1	-	-	-		



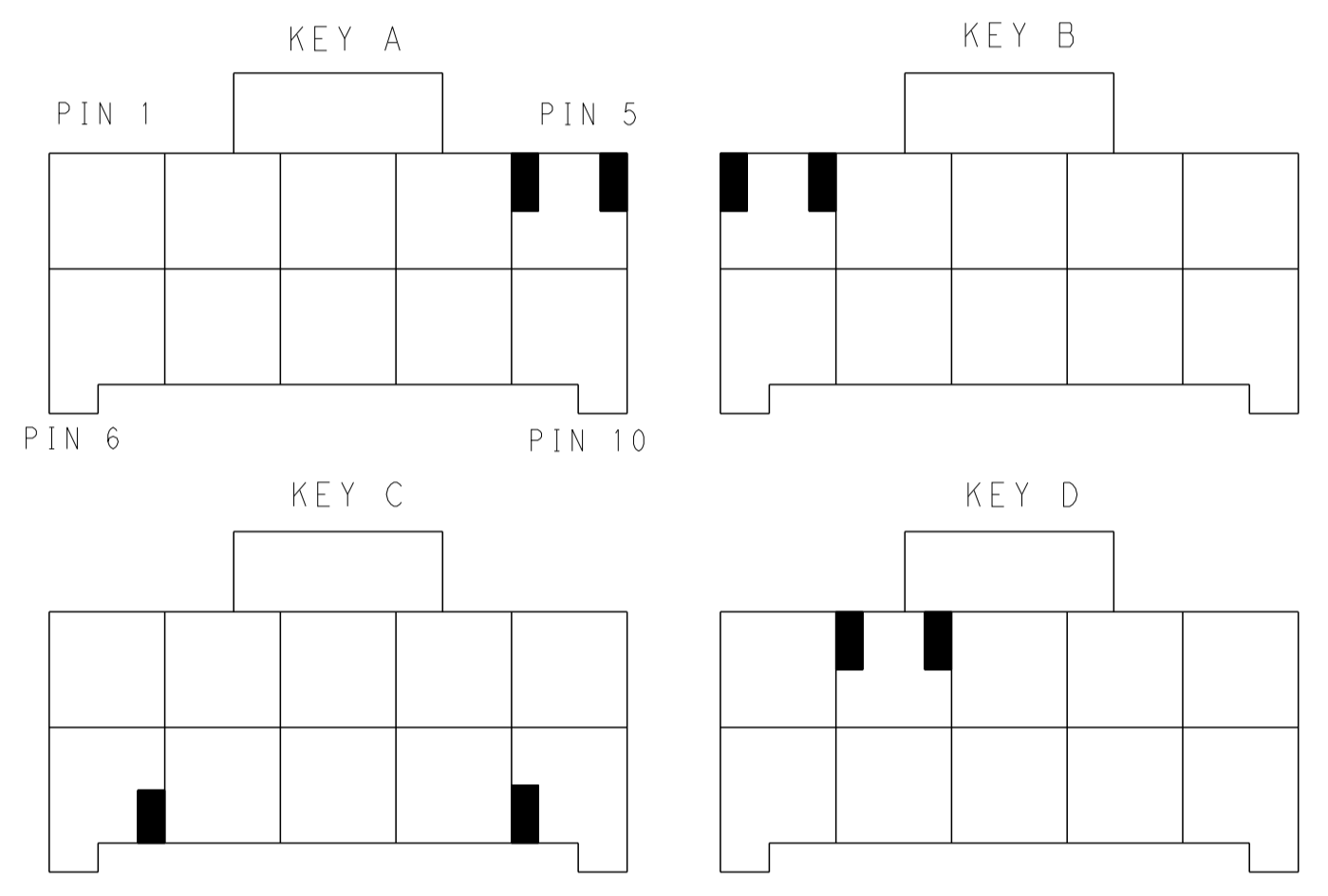
2*5 POSITIONS



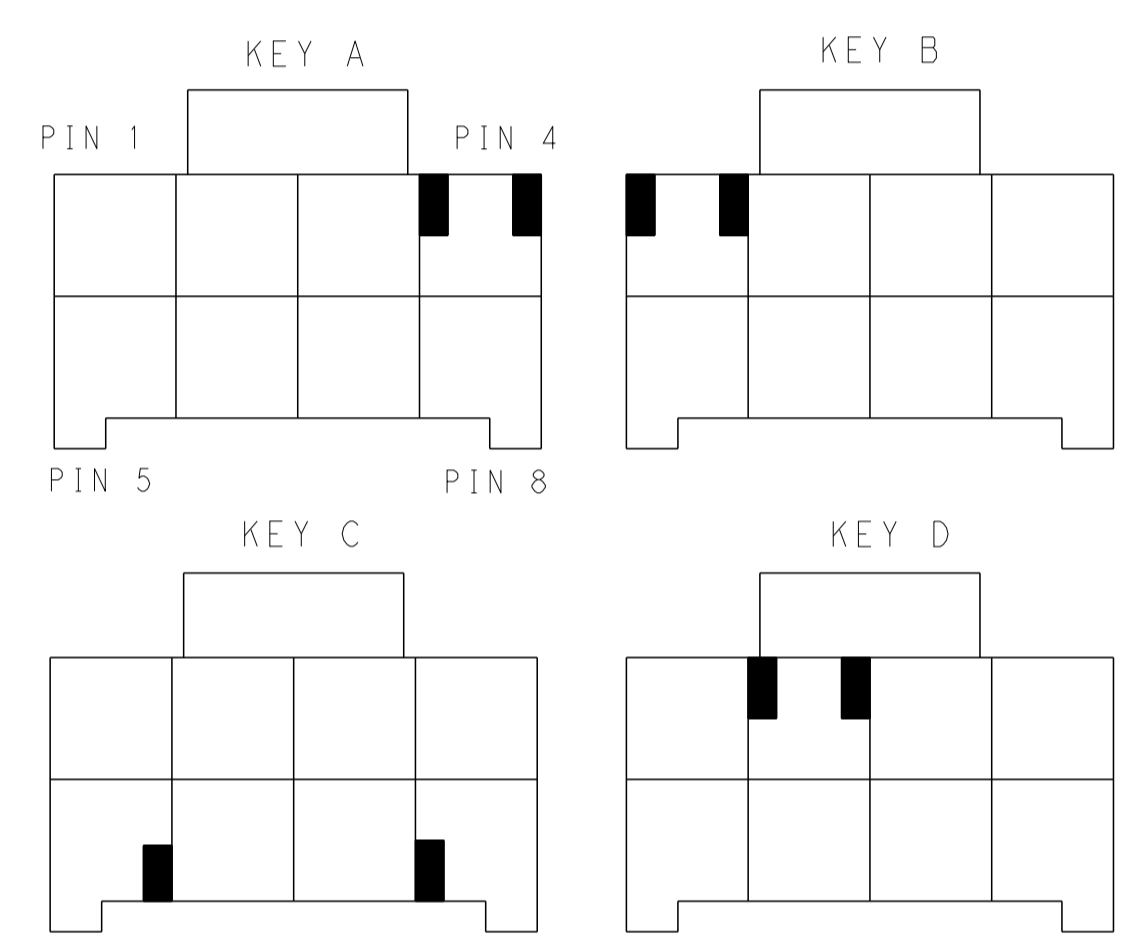
2*4 POSITIONS



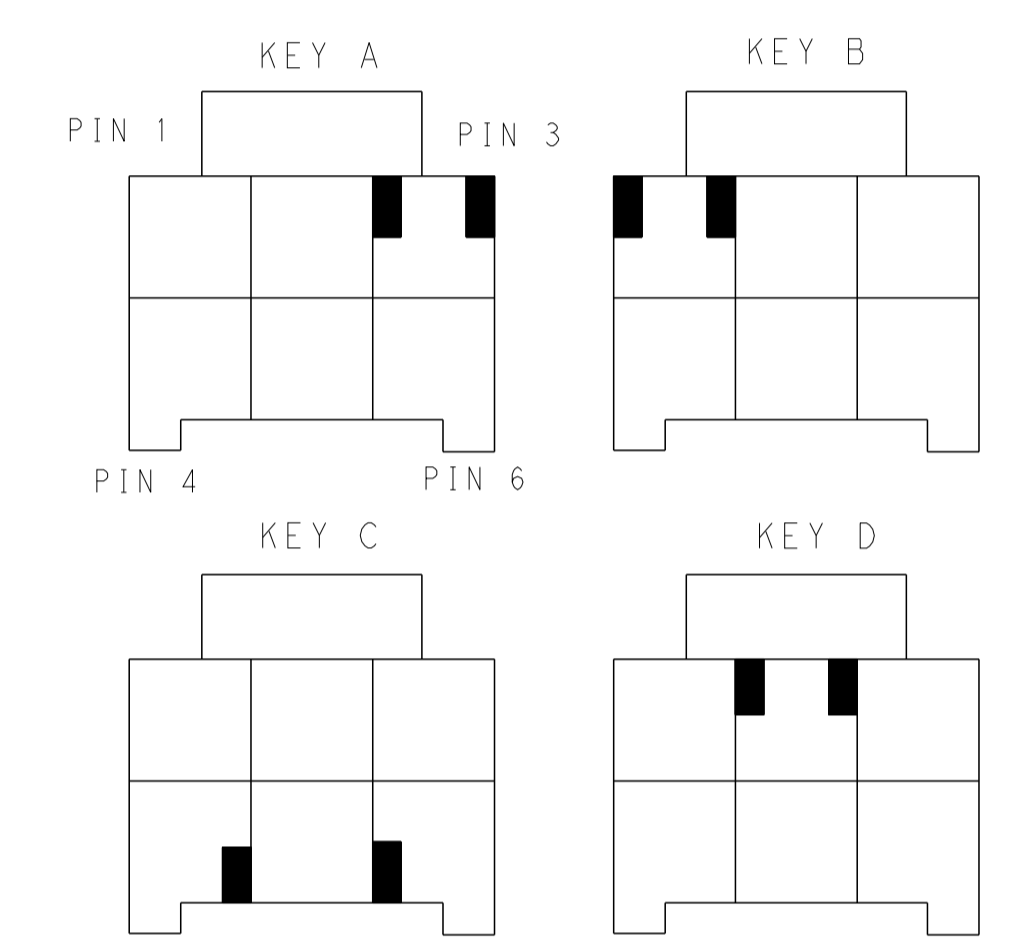
2*3 POSITIONS



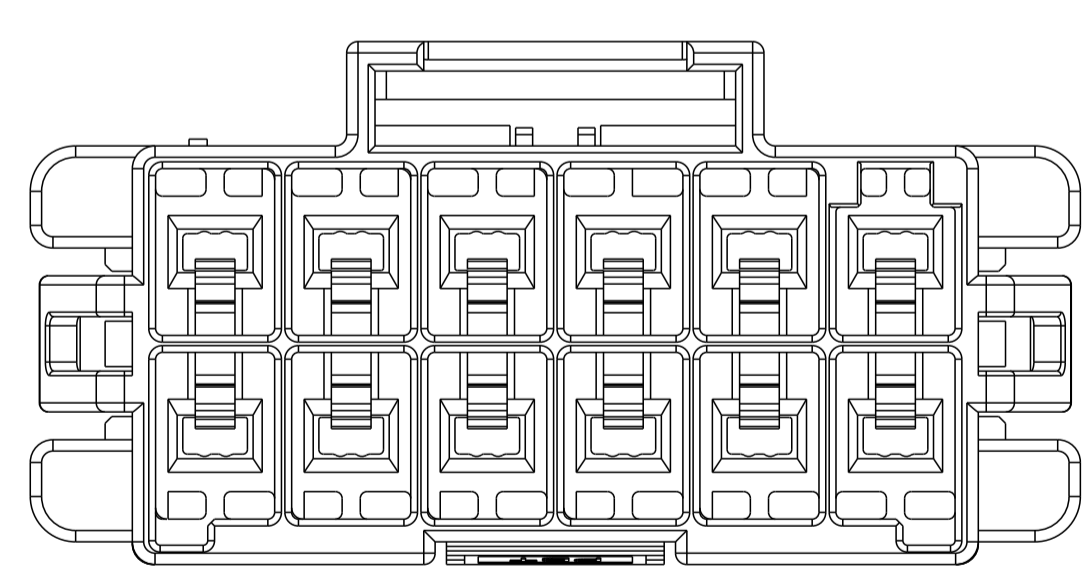
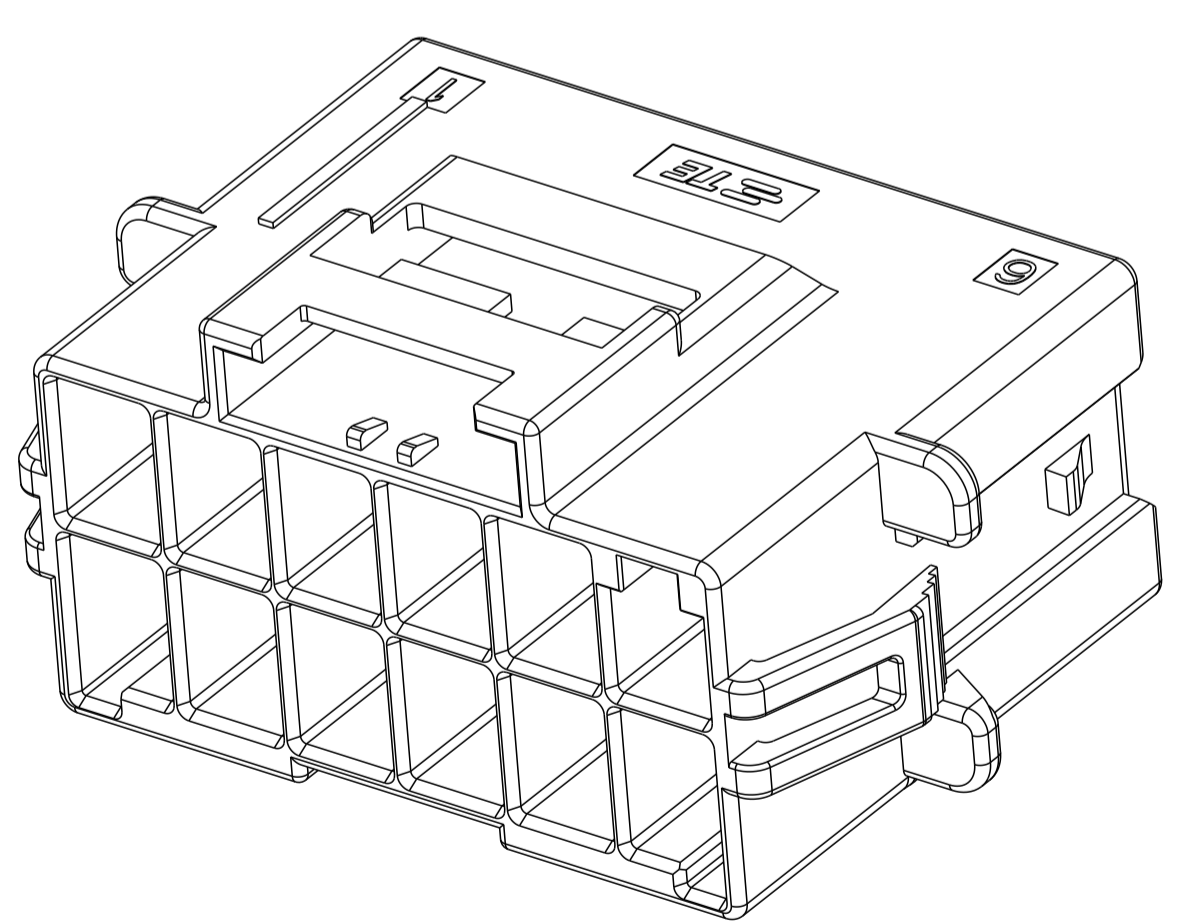
KEYING FOR 2*5 POS.



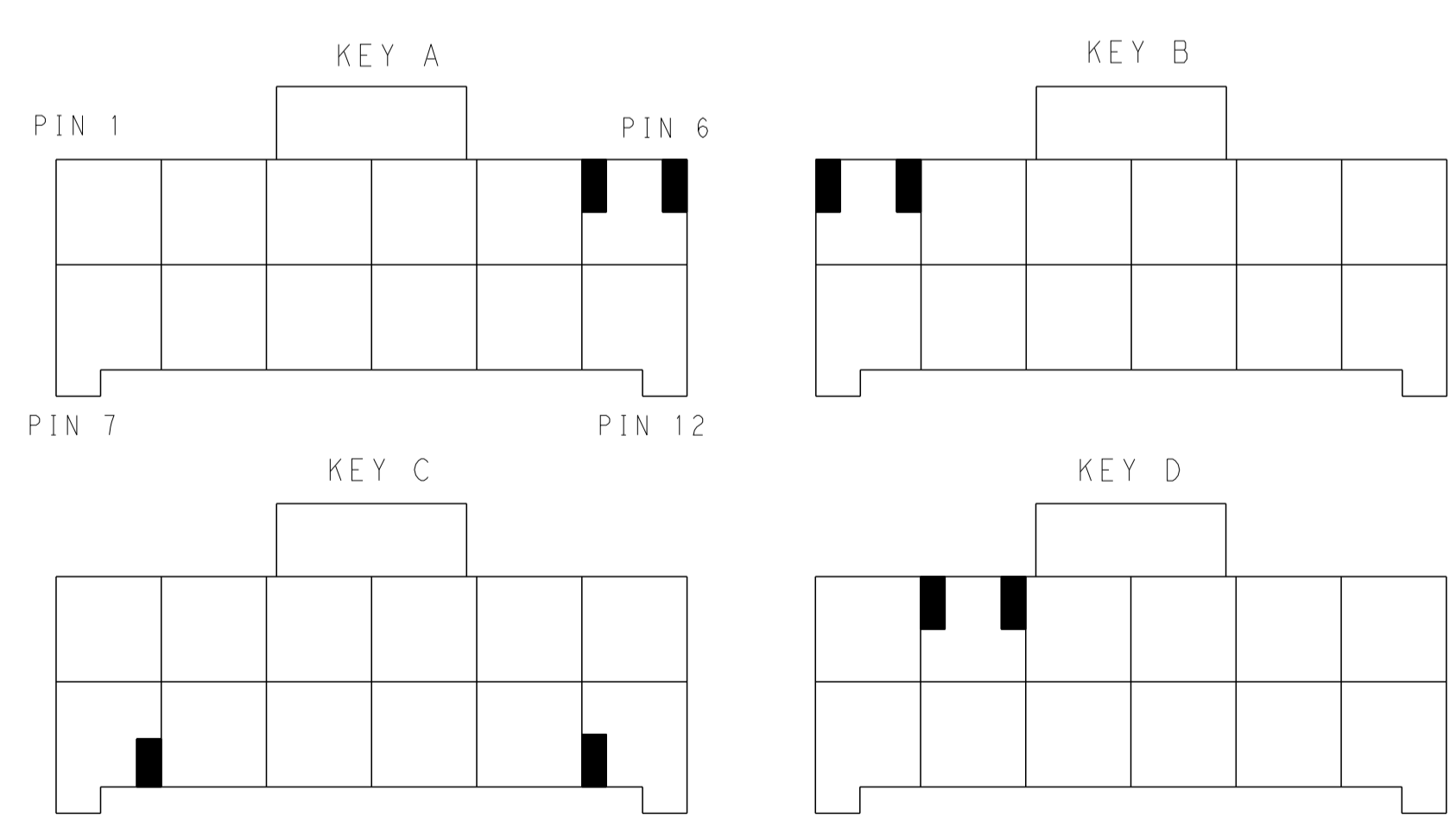
KEYING FOR 2*4 POS.



KEYING FOR 2*3 POS.



2*6 POSITIONS



KEYING FOR 2*6 POS.

POS.	MATERIAL	KEY	P/N
2*6	LEVEL 1	KEY A	1-1971775-6
		KEY B	2-1971775-6
		KEY C	3-1971775-6
		KEY D	4-1971775-6
2*6	LEVEL 2	KEY A	5-1971775-6
		KEY B	6-1971775-6
		KEY C	7-1971775-6
		KEY D	8-1971775-6
2*5	LEVEL 1	KEY A	1-1971775-5
		KEY B	2-1971775-5
		KEY C	3-1971775-5
		KEY D	4-1971775-5
2*5	LEVEL 2	KEY A	5-1971775-5
		KEY B	6-1971775-5
		KEY C	7-1971775-5
		KEY D	8-1971775-5

POS.	MATERIAL	KEY	P/N
2*4	LEVEL 1	KEY A	1-1971775-4
		KEY B	2-1971775-4
		KEY C	3-1971775-4
		KEY D	4-1971775-4
2*4	LEVEL 2	KEY A	5-1971775-4
		KEY B	6-1971775-4
		KEY C	7-1971775-4
		KEY D	8-1971775-4
2*3	LEVEL 1	KEY A	1-1971775-3
		KEY B	2-1971775-3
		KEY C	3-1971775-3
		KEY D	4-1971775-3
2*3	LEVEL 2	KEY A	5-1971775-3
		KEY B	6-1971775-3
		KEY C	7-1971775-3
		KEY D	8-1971775-3

THIS DRAWING IS A CONTROLLED DOCUMENT.

OWN: TOMMY WU 06JUL2012
 CHK: TOMMY WU 06JUL2012
 APVD: HAPYE WU 06JUL2012
 YUHONG MAO 06JUL2012

STE TE Connectivity

NAME: CAP HOUSING, PANEL MOUNT, DOUBLE ROW POWER TRIPLE LOCK

PRODUCT SPEC: 108-106118
 APPLICATION SPEC: 114-106118

SIZE: A1 CAGE CODE: 00779 DRAWING NO: 1971775
 SCALE: SHEET 2 OF 2 REV C

MATERIAL: 1

Customer Drawing