

5

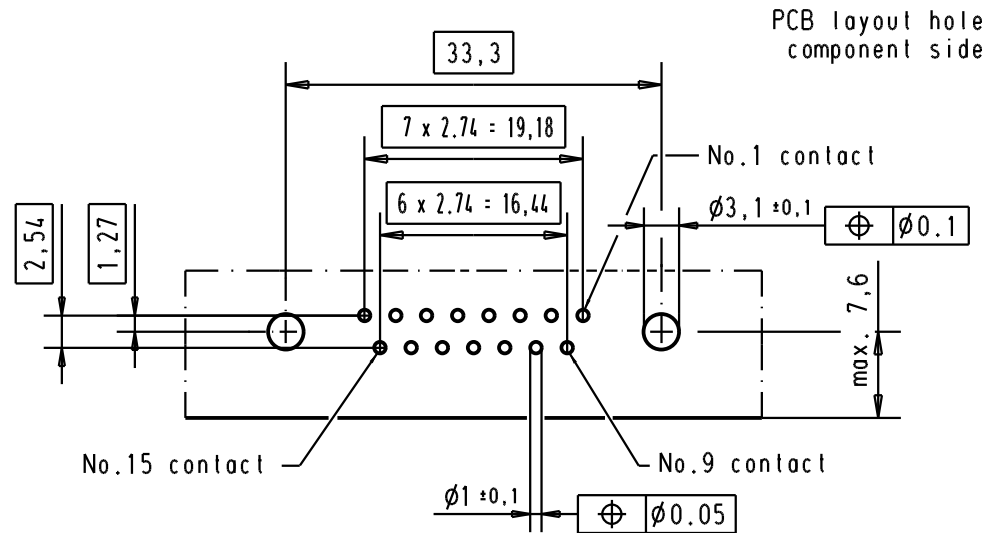
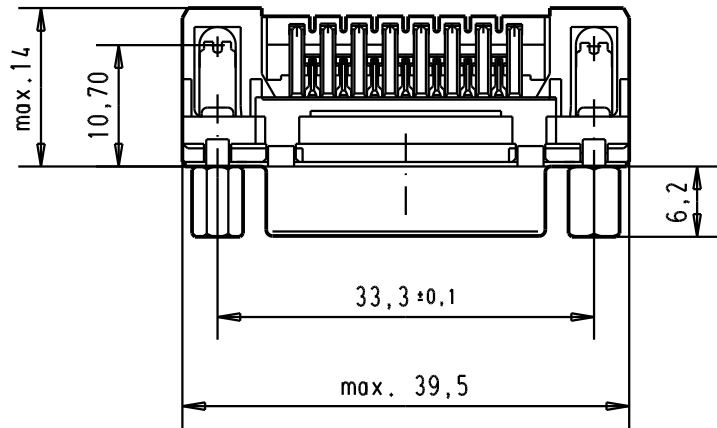
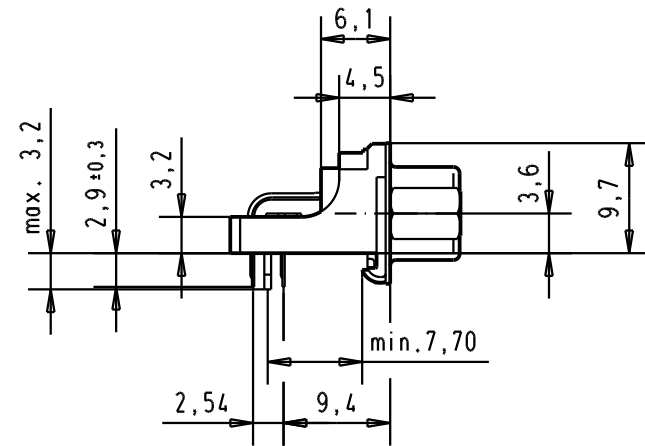
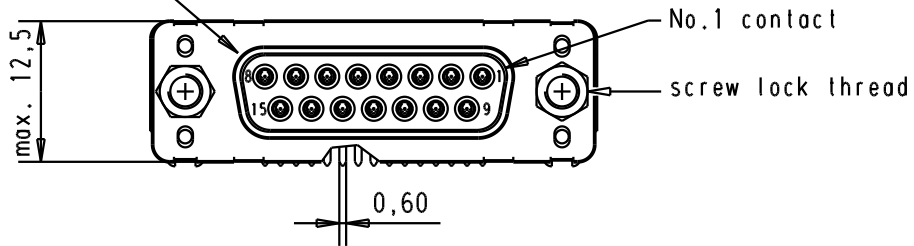
4

3

2

1

Mating face according to : MIL-C-24308 / DIN 41652 / CECC 75301-802



Connector retention and insertion forces on the PCB = 25 / 80 newtons

A

				31892	05/05/04	JH	Detail.	02/sept/00	jfb		D-Sub 15 poles low profil angle female, solder pin with screw lock and grounding board lock.	Moßstab/ Scale	1.5:1
				31084	04/SEP/02	YT	Insp.			All Dim. in mm Orig. Size DIN A 4			
09 66 252 3617	4-40 UNC	1	27961	24/nov/00	jfb	Stand.							
09 66 252 6617	4-40 UNC	2	27952	26/oct/00	jfb		HARTING EURL F-95972 Paris			TB 0966252x61x		Blatt/ Page 3 / 5	
09 66 252 7617	4-40 UNC	3	27948	02/sept/00	jfb								
Part number	Screw lock thread	Performance level	Mod.	Dat.	Name								

Sub.