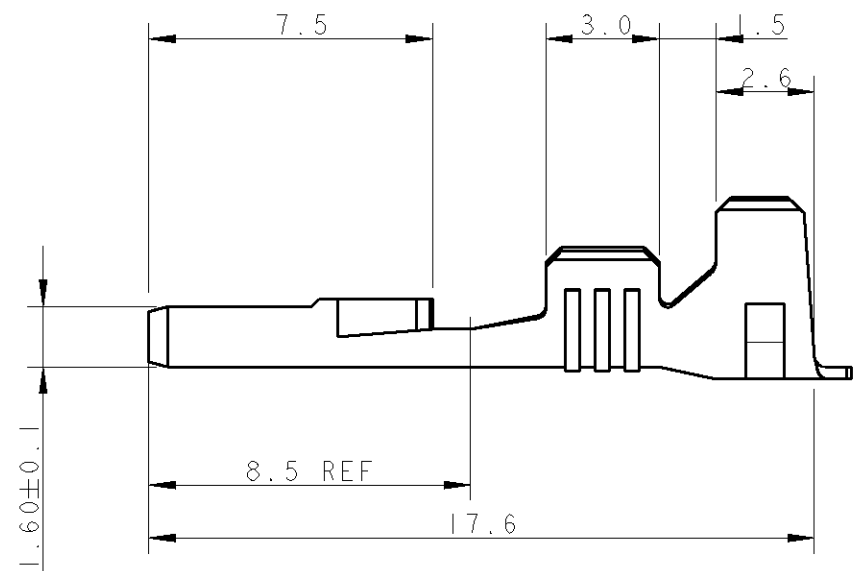


THIS DRAWING IS UNPUBLISHED. RELEASED FOR PUBLICATION 2003
 © COPYRIGHT 2003 BY TYCO ELECTRONICS CORPORATION. ALL RIGHTS RESERVED.

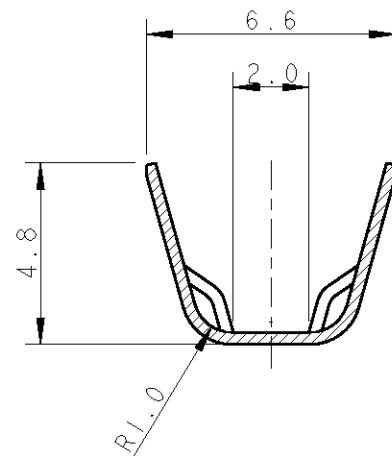
LOC	DIST	REVISIONS					
		P	LTR	DESCRIPTION	DATE	DWN	APVD
1	-		A	RELEASED FOR PRODUCTION FOR ET00-0195-04	27SEP2004	D.C.	G.T.



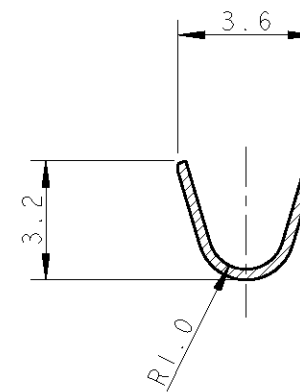
SCALE 1:1



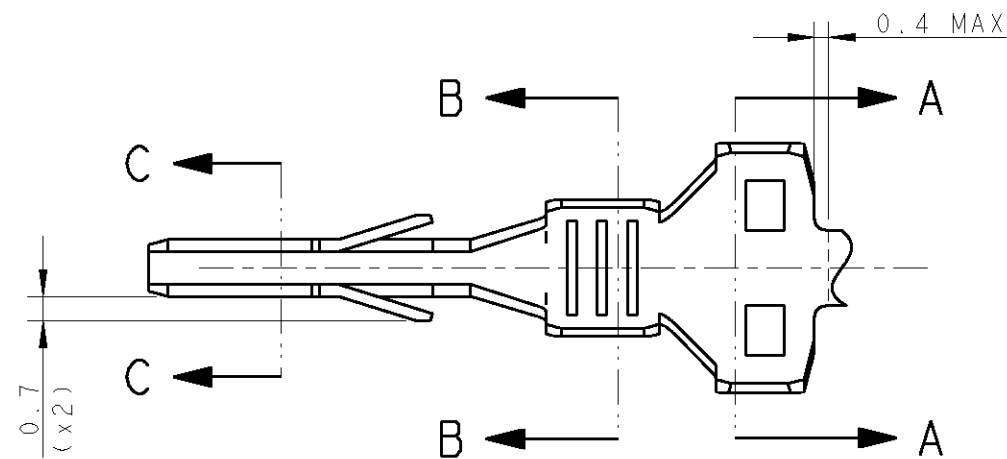
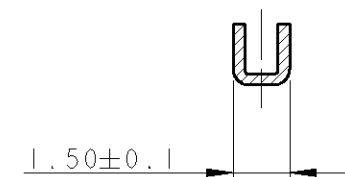
SECTION A-A



SECTION B-B

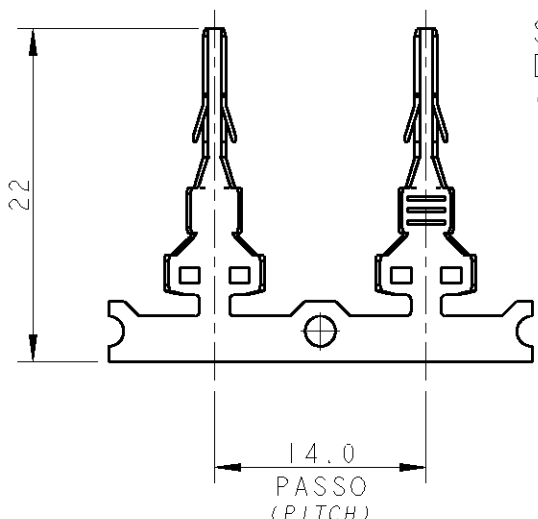


SECTION C-C

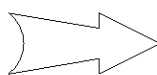


- 1 MATERIALE : OTTONE PRE-STAGNATO
(MATERIAL : PRE-TINNED BRASS)
- 2 BOBINATO SU BOBINA DA 24" CON CARTA INTERPOSTA, Q.TA'/REEL 3.000
(REELED ON 24" CARTON REEL WITH INTERLEAVE PAPER STRIP, Q.TY/REEL 3.000)
- 3 CAVO SINGOLO STANDARD:
(STANDARD, ONE WIRE:)
0.5 mm² ; Ø ISOLANTE (INSULATION Ø) 2.1 mm.
0.75 mm² ; Ø ISOLANTE (INSULATION Ø) 2.3 mm.
- CAVO DOPPIO STANDARD:
(STANDARD, TWO WIRES:)
0.75+0.75 mm²

P/N 284798-1 COME MOSTRATO
(P/N 284798-1 AS SHOWN)



SENSO DI USCITA DEL TERMINALE
DALL'ALTO DELLA BOBINA
(DIRECTION OFF TOP OF REEL)



SCALE 2:1

14.0
PASSO
(PITCH)

<small>THIS DRAWING IS A CONTROLLED DOCUMENT FOR TYCO ELECTRONICS CORPORATION IT IS SUBJECT TO CHANGE AND THE CONTROLLING ENGINEERING ORGANIZATION SHOULD BE CONTACTED FOR THE LATEST REVISION.</small>		DWN 17DEC2003 D. CHIARELLI CHK 17DEC2003 C. TARTARI APVD 17DEC2003 G. TURCO		tyco Electronics tyco Electronics AMP Italia S.p.A. C.so F.lli Cervi, 15 - Collegno (TO)	
DIMENSIONS: mm		TOLERANCES UNLESS OTHERWISE SPECIFIED: 0 PLC ±0,5 1 PLC ±0,3 2 PLC ±0,1 3 PLC ± 4 PLC ± ANGLES ±1°		NAME CRIMPED TAB CONTACT P.C.B. INTERFACE	
MATERIAL		FINISH		PRODUCT SPEC - APPLICATION SPEC 114-20115 WEIGHT 0,38g	
CUSTOMER DRAWING				SIZE A3 CAGE CODE 00779 DRAWING NO C=284798	RESTRICTED TO -
				SCALE 5:1 SHEET 1 OF 1	REV A