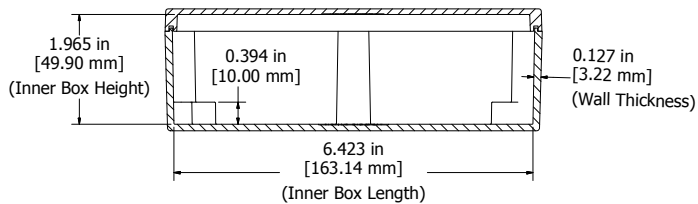
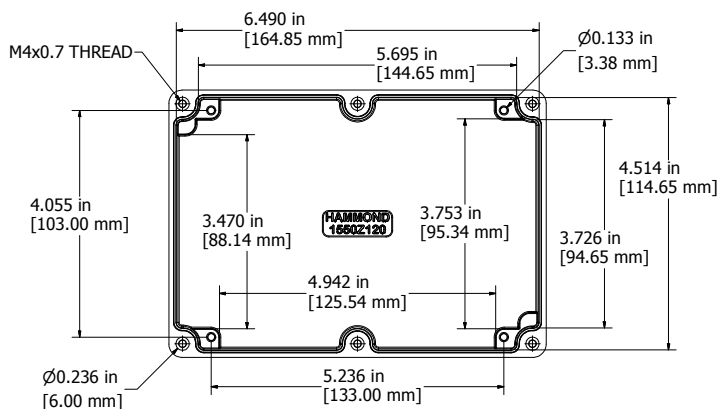


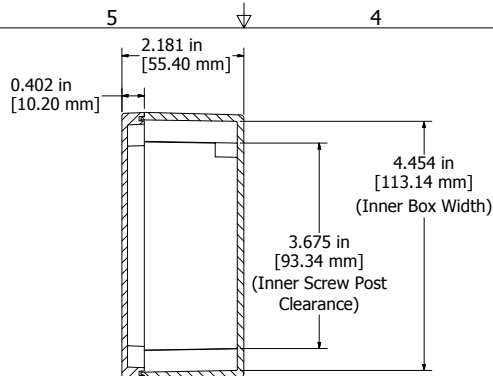
ASSEMBLY



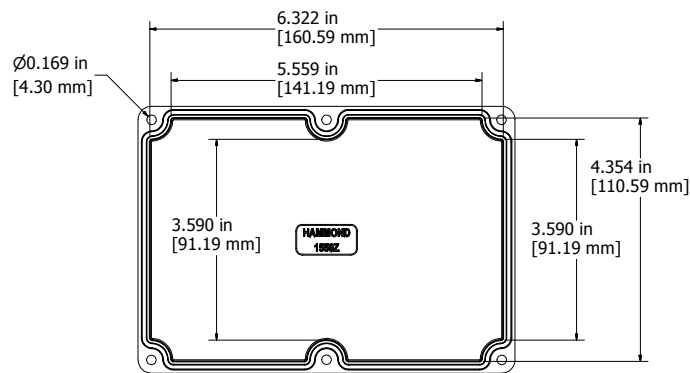
SECTION B-B
Side View of Assembly



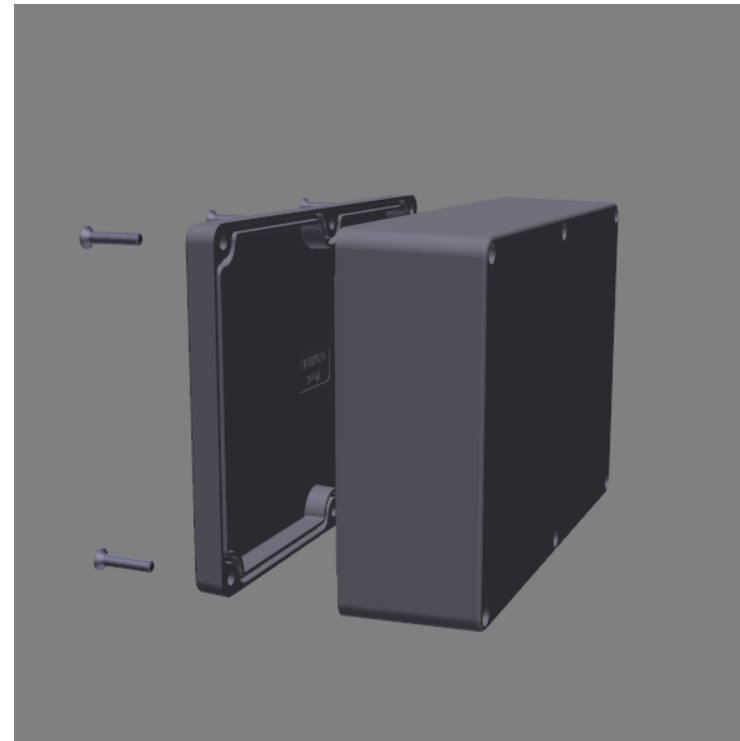
Top View Looking Inside Box



SECTION A-A
End View of Assembly



View Looking Inside Lid



Enclosures can be Factory Modified (Milling, Drilling, Printing etc.)
Contact Factory mjm@hammondmfg.com for quotes
Solid models of this enclosure available in STEP or IGES.

NOTES	
Purchased assembly includes enclosure, M4x20 lid screws	
Gasket - Pre-formed Silicone Rubber	
Cover screws should be torqued to 5-7.5 lbf.in (50-75 cN.m)	
1550Z120	
PART NUMBERS	
Unfinished	1550Z120
Black Textured Powder Paint - RAL 9011	1550Z120BK

HAMMOND
MANUFACTURING™



1550Z120

www.hammondmfg.com