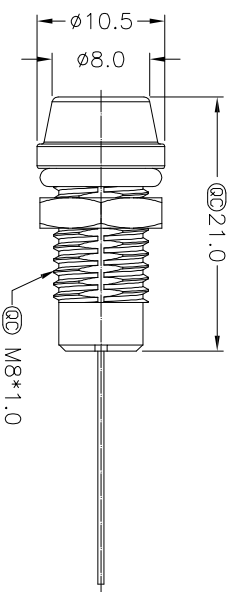
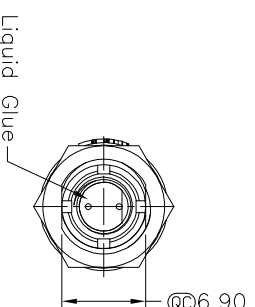
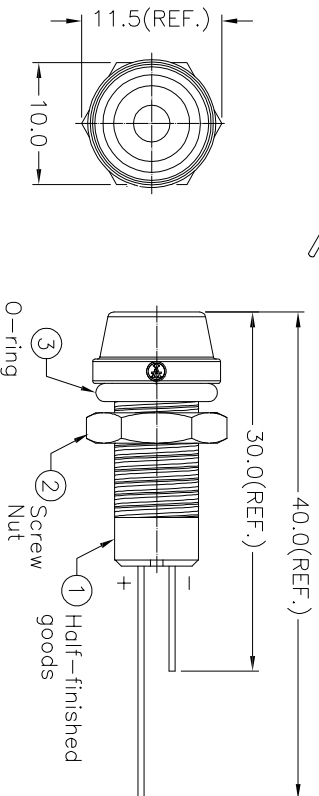


Recommended Panel Cut-Out



Notes:
 @@ Important Dimension To Check
 Waterproof Rate: IP67
 LED Holder: PC+ABS, Black
 LED: \varnothing 3 mm, Red
 O-ring: EPDM, Black
 Screw Nut: Nylon+GF
 Operating Voltage: DC 4V
 Operating Temperature: $-40 \sim +80^{\circ}\text{C}$
 For Panel Thickness 6.5mm Max.



RoHS compliant

Scale	Free						
TOLERANCE							
.X	± 0.25				Drawn	11.03.2014	Winnie
.XX	± 0.10				Approved	27.06.2016	Winnie
.XXX	± 0.05						
Angle	$\pm 1^{\circ}$						
		①	Add the logo "A"	27.06.2016	Winnie		
		①	Drawn	11.03.2014	Winnie		
			Modification				
			Id.				

Customer-No.	Name	Date	Name	Customer-No.	Replace	Sheet
	Winnie	11.03.2014	Winnie	ASSMANN WSW-No.	ASS 6232 CO	rev01
	Winnie	27.06.2016	Winnie	A-LED8-1RAAS-PR7-1		
				Drawing-No.		

1	2	3	4	5	6	7	A
1	2	3	4	5	6	7	B
1	2	3	4	5	6	7	C
1	2	3	4	5	6	7	D
1	2	3	4	5	6	7	E
1	2	3	4	5	6	7	F
1	2	3	4	5	6	7	G
1	2	3	4	5	6	7	H