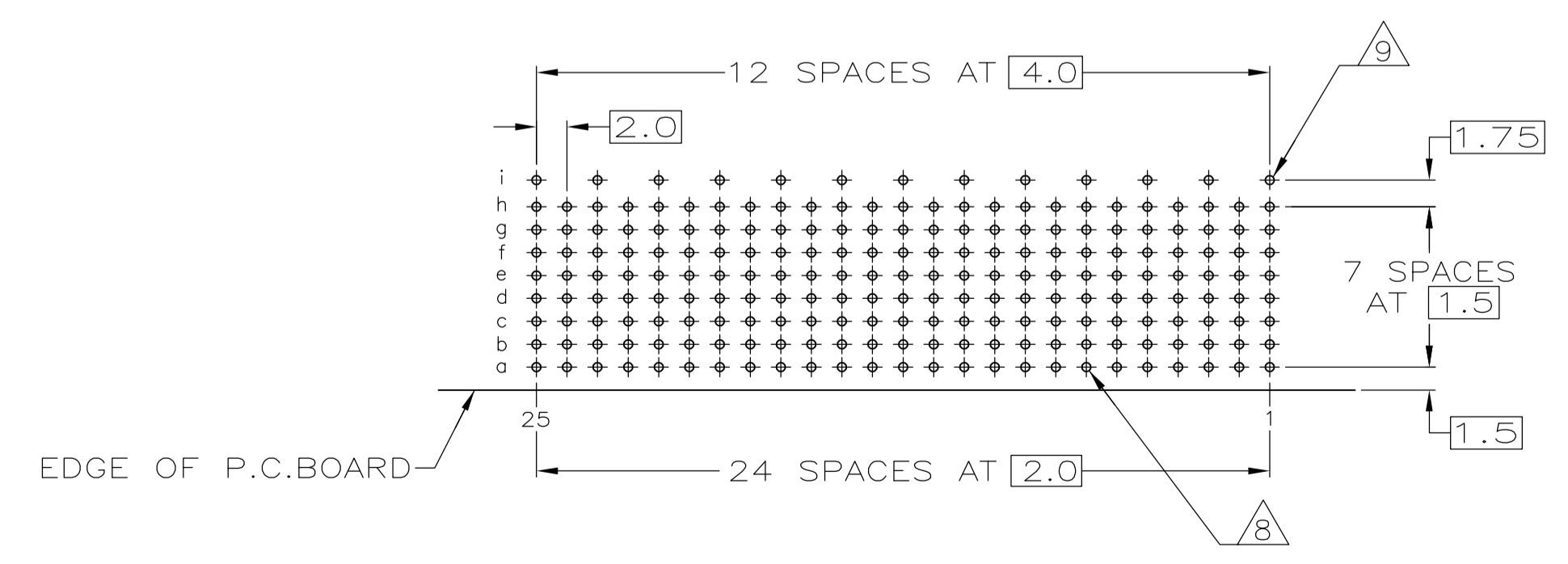
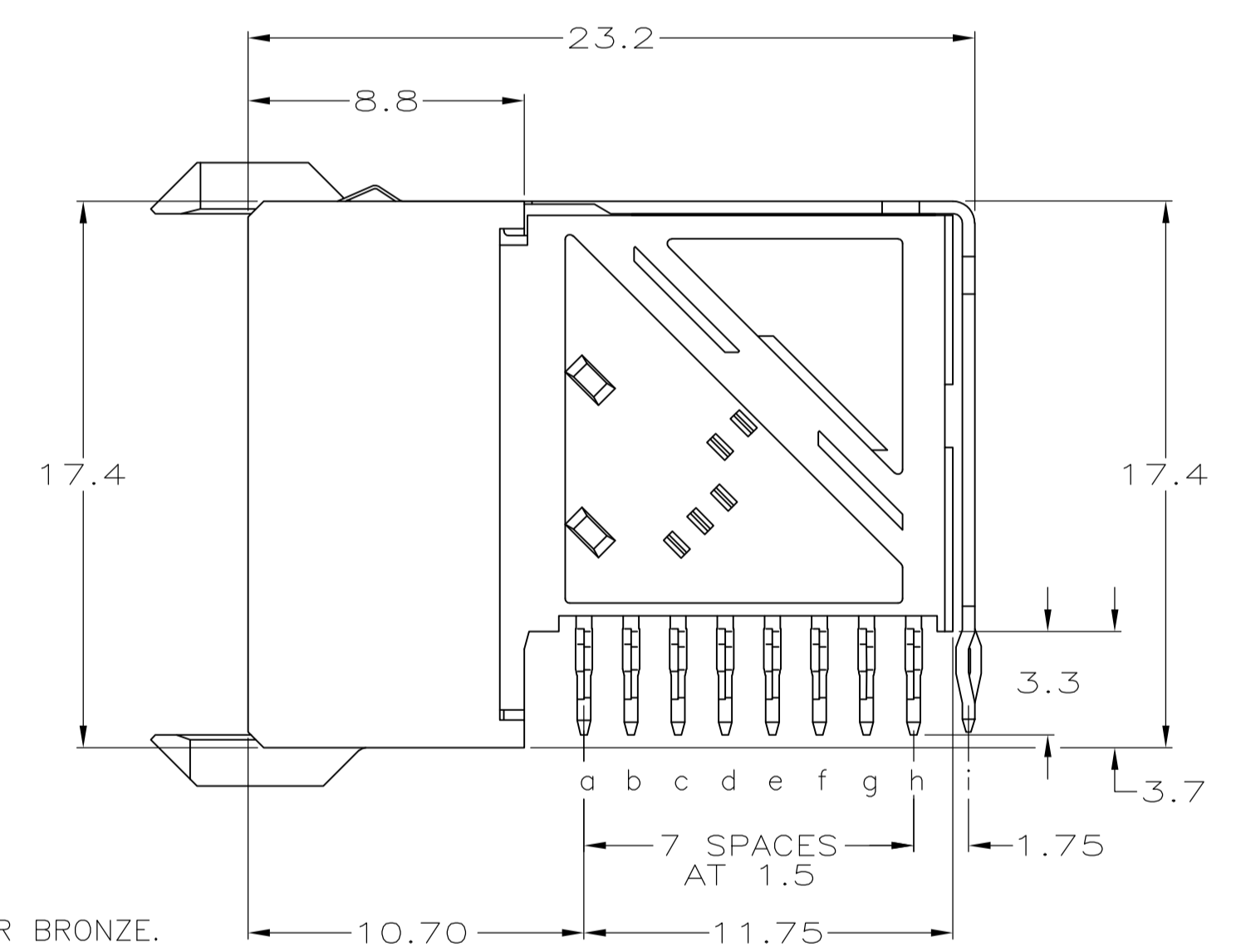
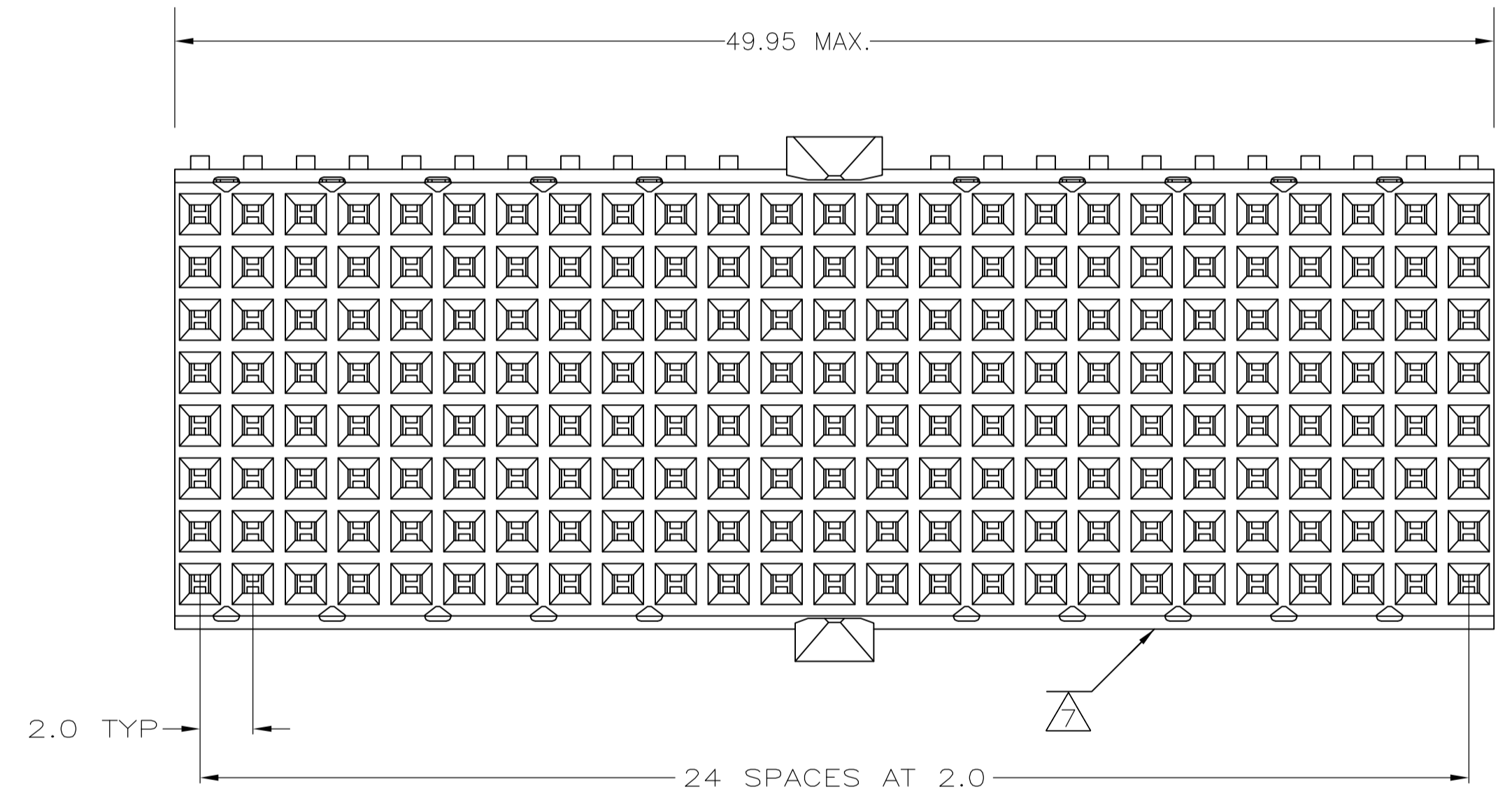
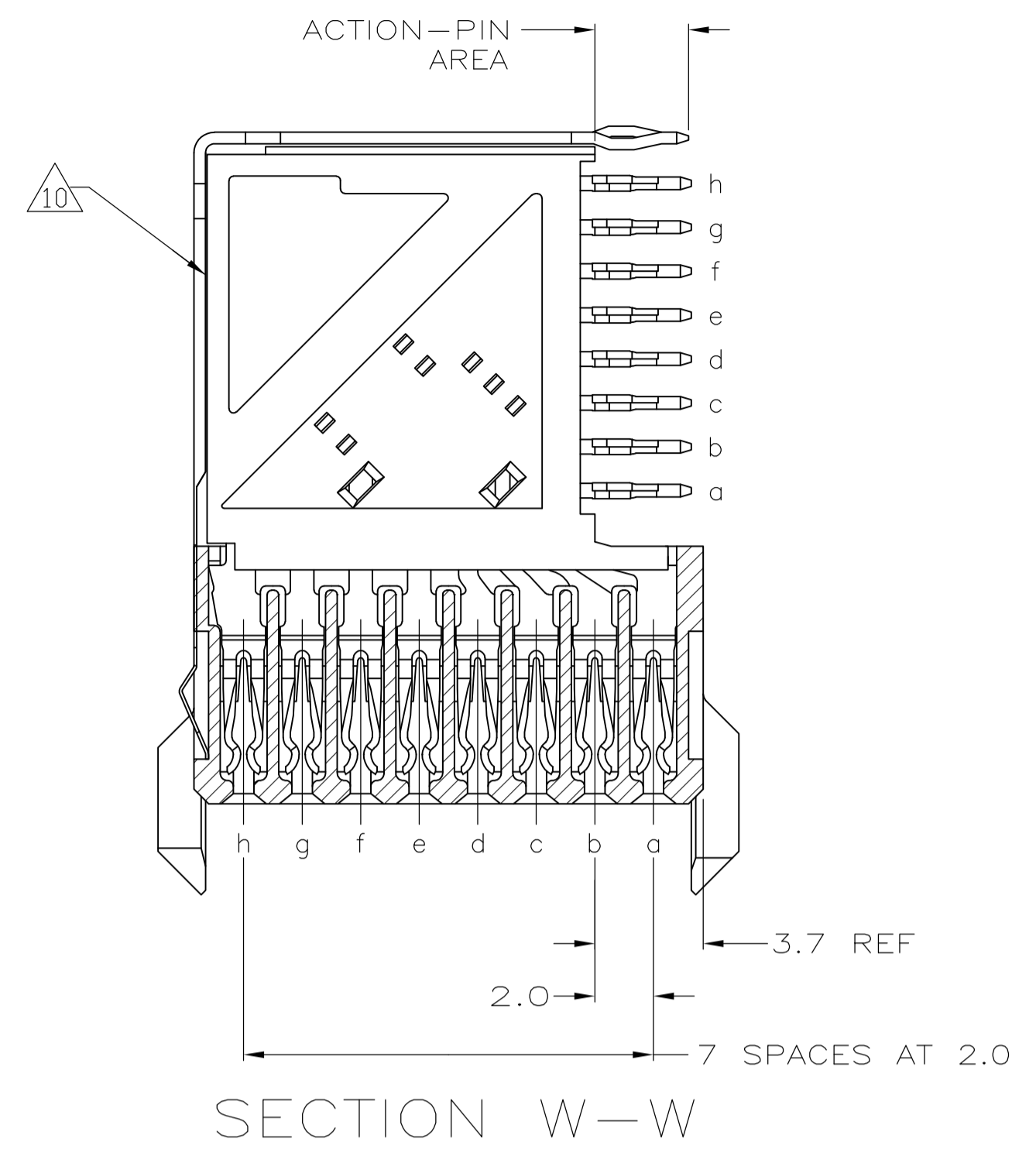
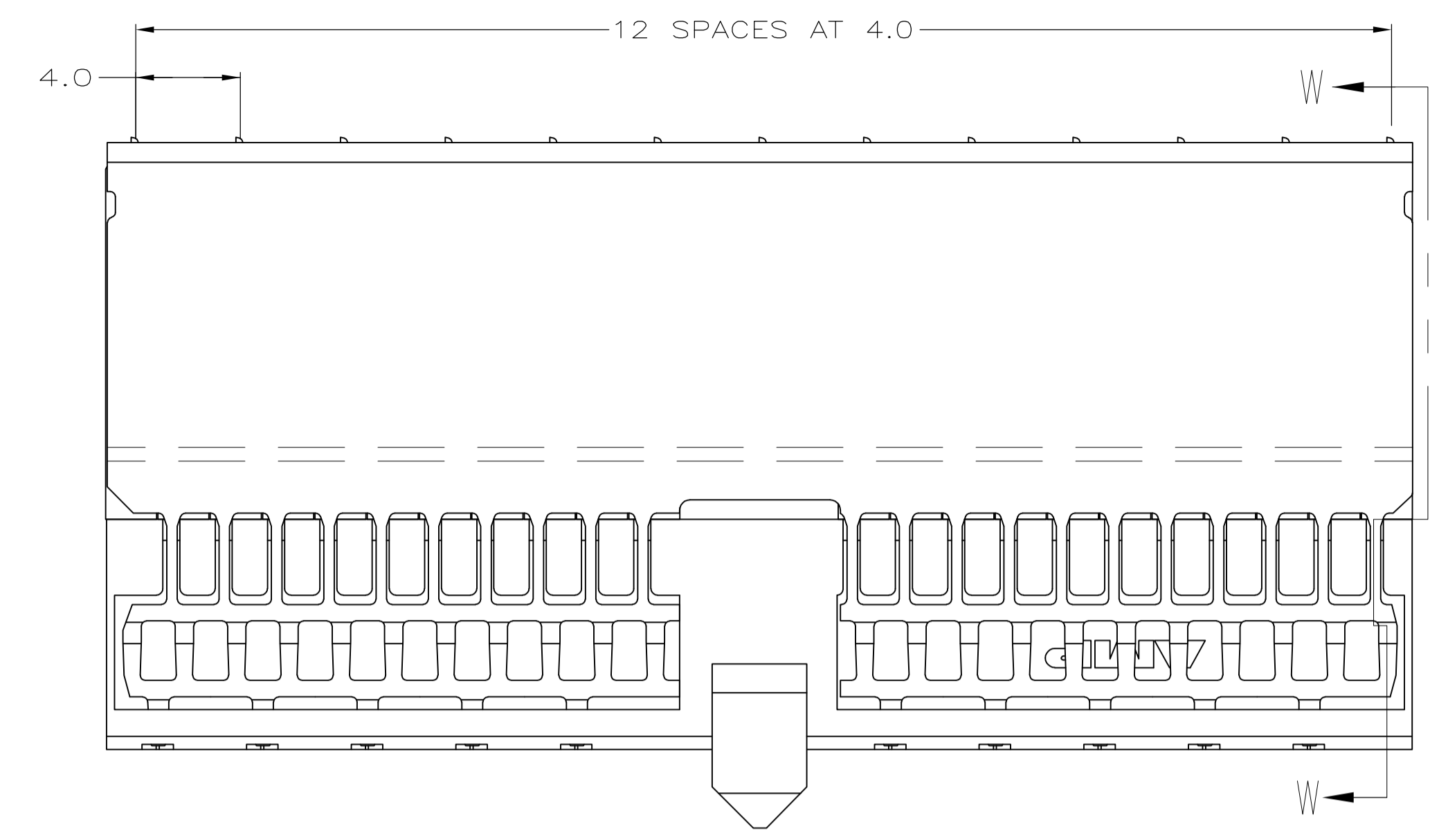


LOC		DIST		REVISIONS			
P	LTR	DESCRIPTION	DATE	DMN	APVD		
B		ECR-10-018652	10SEP10	JS	MQW		
C		ECO-11-024491	13DEC11	SY	MQW		
D		ECR-12-007088	17APR12	SY	AC		



RECOMMENDED PCB HOLE LAYOUT
 COMPONENT SIDE
 SCALE 2.5:1

- 1 MATERIAL:
 CONTACT & SHIELD: PHOSPHOR BRONZE.
 HOUSING: GLASS-FILLED POLYESTER.
- 2 GENERAL PLATING SPECIFICATION: UNDERPLATING
 (ENTIRE CONTACT): 1.27µm MIN NICKEL AND ACTION
 PIN: 0.5µm MIN TIN.
 FOR PLATING OF MATING SURFACES SEE APPLICABLE
 SPECIFICATION REFERENCE FOR EACH DASH NUMBER.
- 3 CONFORMS TO ALL TESTING ACCORDING TO IEC 61076-4-101
 PERFORMANCE LEVEL 2.
- 4 CONFORMS TO ALL TESTING ACCORDING TO IEC 61076-4-101
 PERFORMANCE LEVEL 1.
- 5 CONNECTOR TESTED AND QUALIFIED AGAINST TELCORDIA GR-1217-CORE QUALITY LEVEL 3,
 CENTRAL OFFICE APPLICATIONS.
- 6 CONNECTOR TESTED AND QUALIFIED AGAINST TELCORDIA GR-1217-CORE QUALITY LEVEL 3,
 UNCONTROLLED ENVIRONMENT APPLICATIONS.
- 7 CONNECTOR MARKED WITH PART NUMBER AND DATE CODE.
 ADDITIONAL CHARACTERS OR MARKINGS, AS WELL AS THE LOCATION OF THE MARKINGS,
 MAY BE ADDED FOR TRACEABILITY BASED UPON MANUFACTURERS DISCRETION.
- 8 PLATED-THROUGH HOLES AT 2 x 1.5mm GRID. 213 TOTAL HOLES.
- 9 ROW "i" 13 PLATED THROUGH HOLES FOR UPSHIELD.
- 10 SHIELD MOUNTED ON CONNECTOR WITH DOUBLE SIDED ADHESIVE TAPE
 OR ADHESIVE.
- 11 CONNECTOR LUBRICATED WITH BELCORE APPROVED LUBRICANT,
 TECHNICAL REFERENCE: TR-NWT-001217 ISSUE 1, SEP 1992.
- 12 OBSOLETE PARTS: OBSOLETE CIS STREAMLINING PER D.RENAUD/D.SINISI

PLATED THRU HOLES PARAMETERS
 REFERENCE APPLICATION SPECIFICATION

FINISH	PART NUMBER
2 6 11	1-5646759-9
2 5 11	5646759-9
2 4	5646759-4
2 3	5646759-1

THIS DRAWING IS A CONTROLLED DOCUMENT.

DIMENSIONS: mm	TOLERANCES UNLESS OTHERWISE SPECIFIED: 0-PLC ± 1-PLC ±0.1 2-PLC ±0.05 ±0.2 3-PLC ± 4-PLC ± ANGLES ±	DIN B CARBO 04AUG05 GSKIPPER 04AUG05 GSKIPPER 04AUG05	Tyco Electronics Corporation Harrisburg, PA 17105-3608
MATERIAL	FINISH SEE TABLE	APVD GSKIPPER 04AUG05 PRODUCT SPEC 108-1622 APPLICATION SPEC 114-19029	NAME RECEPTACLE ASSEMBLY, Z-PACK 2mm HM, TYPE D/E WITH GROUND RETURN SHIELD
		SIZE A1 CAGE CODE 00779 DRAWING NO. 5646759	RESTRICTED TO CUSTOMER DRAWING

SCALE 5:1 SHEET 1 OF 1 REV D