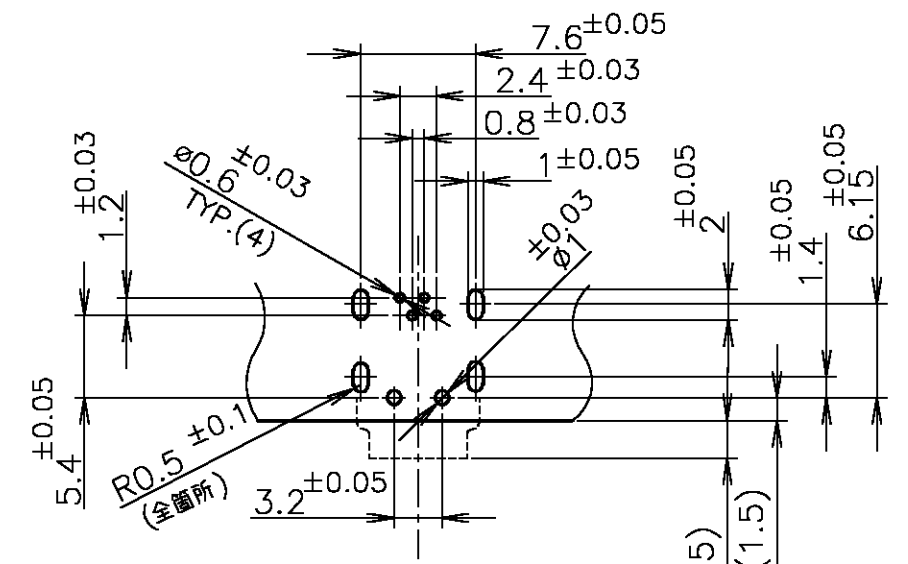
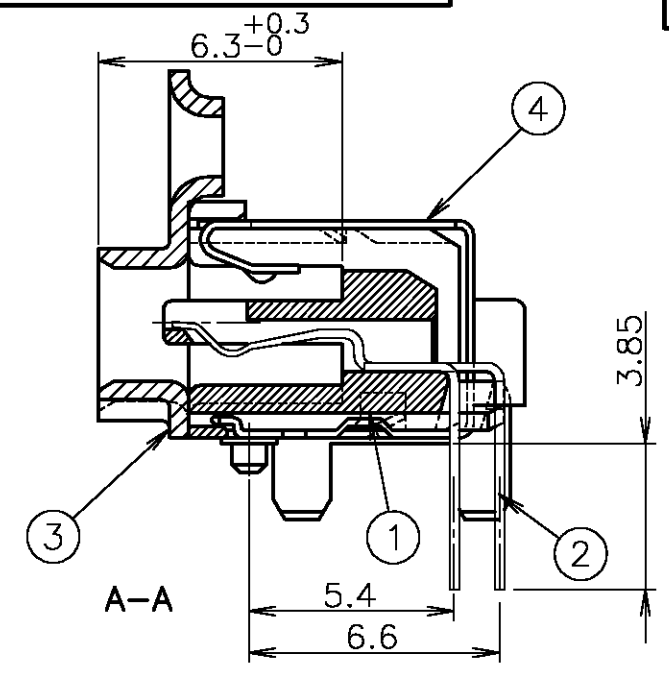
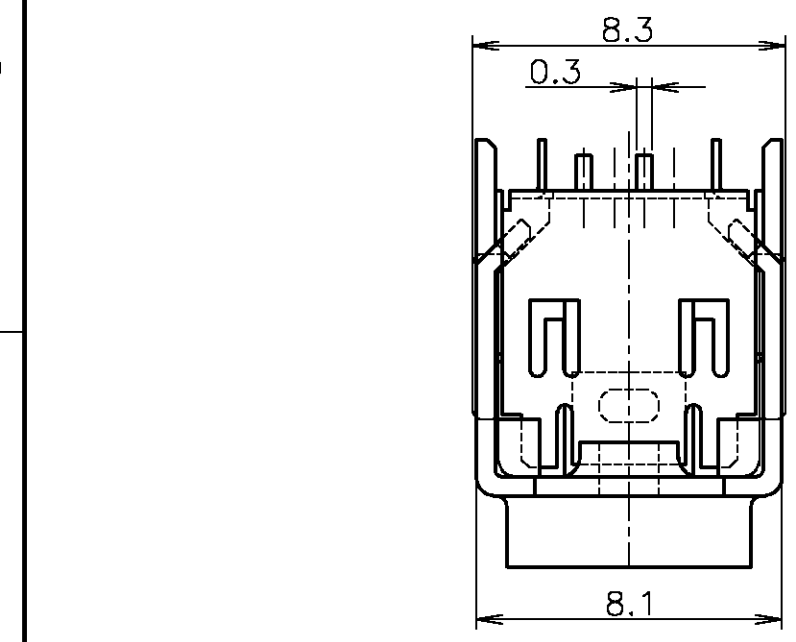


THIS DRAWING IS UNPUBLISHED. RELEASED FOR PUBLICATION JUL, 1996.
 © COPYRIGHT 1996 BY TYCO ELECTRONICS CORPORATION. ALL RIGHTS RESERVED.

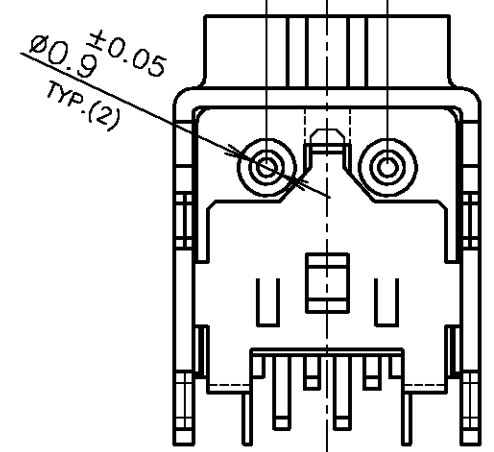
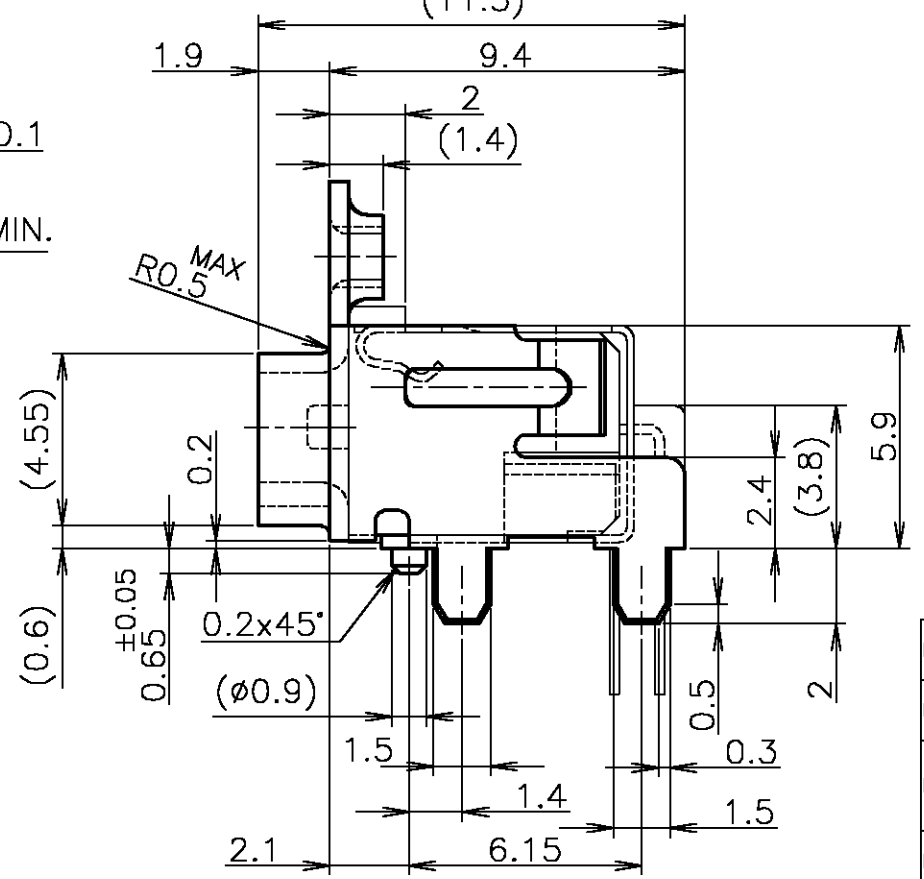
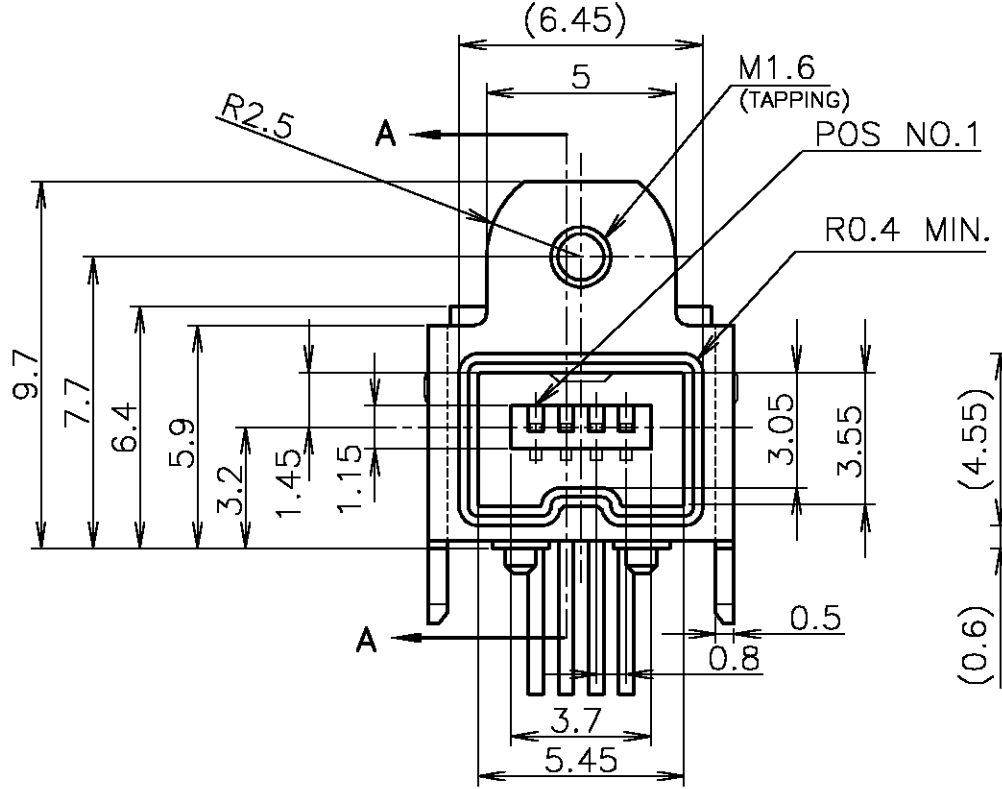
LOC	DIST	P	LTR	REVISIONS 変更	DESCRIPTION	DATE	DWN	APVD	
J	/			A	REVISED	FJB0-0366-03	15JAN04	J.T	H.M

-1: 本図
AS SHOWN



推奨基板レイアウト
(SCALE 2:1) (1.6±0.1THK)

- M1.6 ビス締め部推奨トルク; 19.6N・cm(2kgf・cm)
- M1.6 TAP; 19.6N・cm(2kgf・cm) MAX.



鉛フリー
LEAD FREE

NO.	NAME	MATERIAL	FINISH
④	BACK SHELL	りん青銅 PHOS-BRO	TIN: 0.002mm
③	FRONT SHELL	黄銅 BRASS	TIN: 0.002mm
②	CONTACT	銅合金 COPPER ALLOY	Ni UNDER PLATING: 0.00127mm MIN. CONTACT AREA: Au 0.0003mm MIN. SOLDERING AREA: TIN 0.002mm
①	HOUSING	6T ナイロン (UL94V-0)	BLACK

THIS DRAWING IS A CONTROLLED DOCUMENT.

DWN H.HOSHINO 14APR98	<p>SOLETE</p> <p>NOT TO BE TEST REVISION</p>	<p>Tyco Electronics AMP K.K. Kawasaki, Japan</p> <p>NAME 名称</p> <p>REC HEADER 4POS DIP TYPE IEEE 1394 AV CONNECTOR (パネル取付タイプ)</p>
CHK J.TANIGAWA 14APR98		<p>SIZE A3</p> <p>CAGE CODE 00779</p>
APVD S.KUBOUCHI 14APR98		<p>DRAWING NO 番号</p> <p>C-1123843</p>
<p>DIMENSIONS: 単位: 概 MM</p> <p>TOLERANCES UNLESS OTHERWISE SPECIFIED: 一般公差</p> <p>0 PLC ± 0.3 1 PLC ± 0.3 2 PLC ± 0.3 3 PLC ± 0.3 4 PLC ± 0.3 ANGLES ± 3°</p>		<p>RESTRICTED TO</p>

MATERIAL 材料 SEE TABLE FINISH 仕上 SEE TABLE

CUSTOMER DRAWING

SCALE 尺度 5:1 SHEET 1 OF 1 REV A