

4

3

2

1

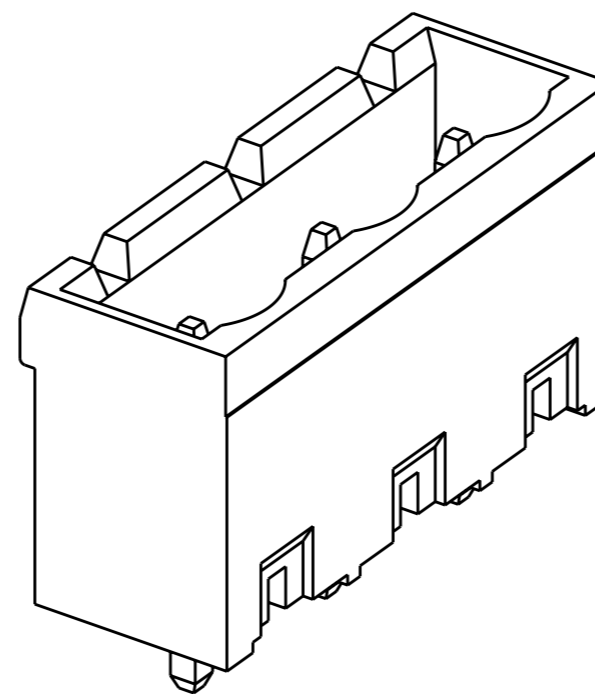
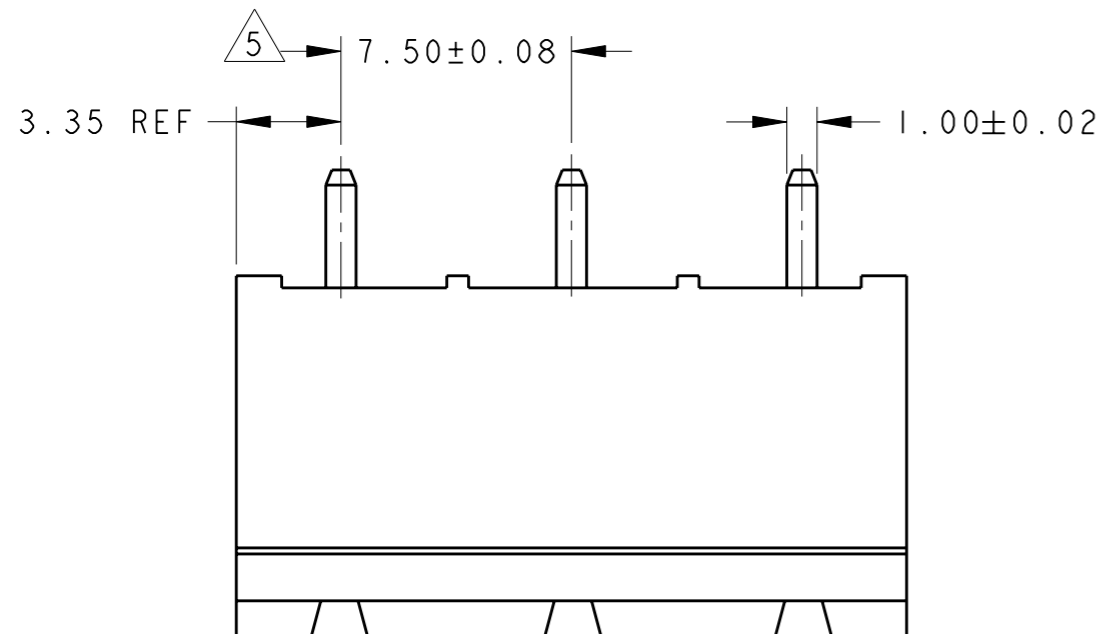
THIS DRAWING IS UNPUBLISHED. RELEASED FOR PUBLICATION 20

© COPYRIGHT 20 Tyco Electronics AMP GmbH ALL RIGHTS RESERVED.

LOC FT DIST 0

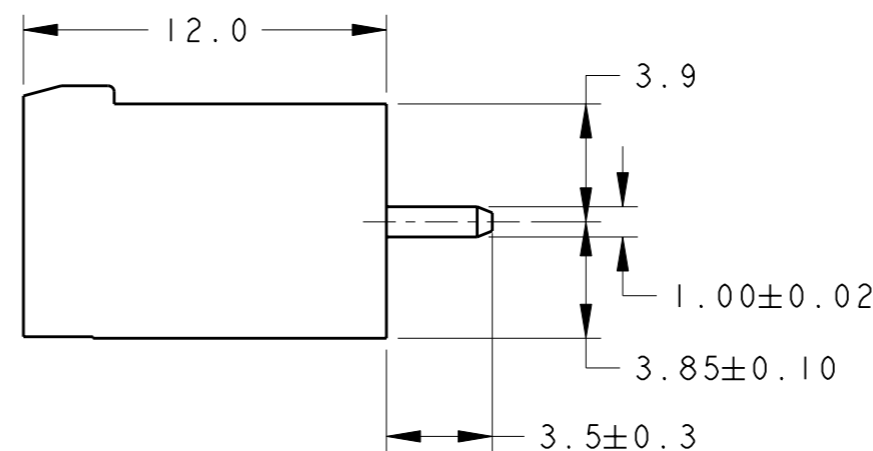
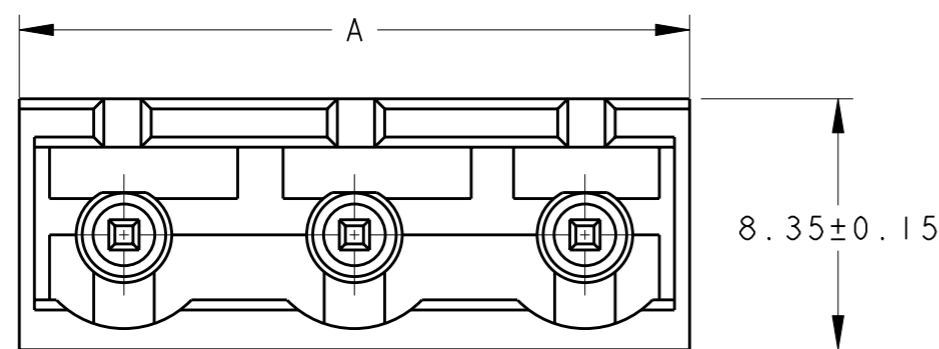
REVISIONS

P	LTR	DESCRIPTION	DATE	DWN	APVD
	C1	REVISED PER ECO-12-007964	02MAY2012	KH	MS



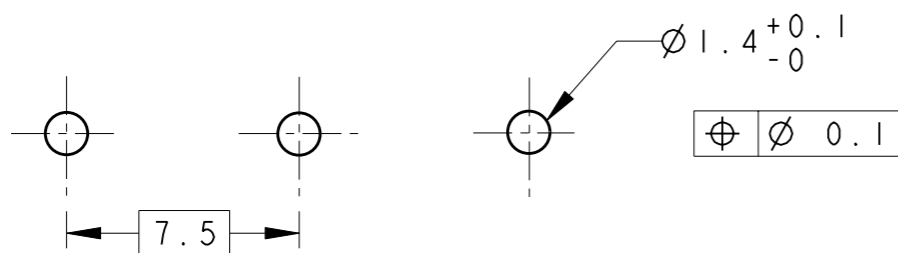
282964-3 AS SHOWN

- 1 MATERIALS AND FINISH
HOUSING: PA 6-6, UL 94-V0, COLOR GREEN.
TERMINAL: COPPER ALLOY, TIN PLATED.
- 2 SUITABLE FOR 1,6-2,4mm PC BOARD THICKNESS.
- 3 RECOGNIZED UNDER THE COMPONENT PROGRAM OF UNDERWRITERS LABORATORIES INC. FILE N° E60677.
- 4 IMQ CERTIFICATE WITH SURVEILLANCE IN CONFORMITY WITH IEC 998-1/998-2-1.
- 5 NOT CUMULATIVE TOLERANCE.



89.20	12	1-282964-2
81.70	11	1-282964-1
74.20	10	1-282964-0
66.70	9	282964-9
59.20	8	282964-8
51.70	7	282964-7
44.20	6	282964-6
36.70	5	282964-5
29.20	4	282964-4
21.70	3	282964-3
14.20	2	282964-2
DIM. A	N° OF POS.	PART NUMBER

RECOMMENDED PC BOARD LAYOUT



THIS DRAWING IS A CONTROLLED DOCUMENT.		DWN E. ZANOLINI 14DEC2001	TE Connectivity	
DIMENSIONS: mm		CHK D. BIEVENOUR 14DEC2001		
TOLERANCES UNLESS OTHERWISE SPECIFIED:		APVD D. BIEVENOUR 14DEC2001	NAME	
0 PLC ±.3		PRODUCT SPEC 108-20166	TERMINAL BLOCK, HEADER ASSEMBLY	
1 PLC ±.25		APPLICATION SPEC 114-20079	180 DEGREE CLOSED ENDS	
2 PLC ±.		WEIGHT -	SIZE A3	CAGE CODE 00779
3 PLC ±.		CUSTOMER DRAWING	DRAWING NO C-282964	RESTRICTED TO -
4 PLC ±.			SCALE 4:1	SHEET 1 OF 1
ANGLES ±2				
MATERIAL	FINISH			