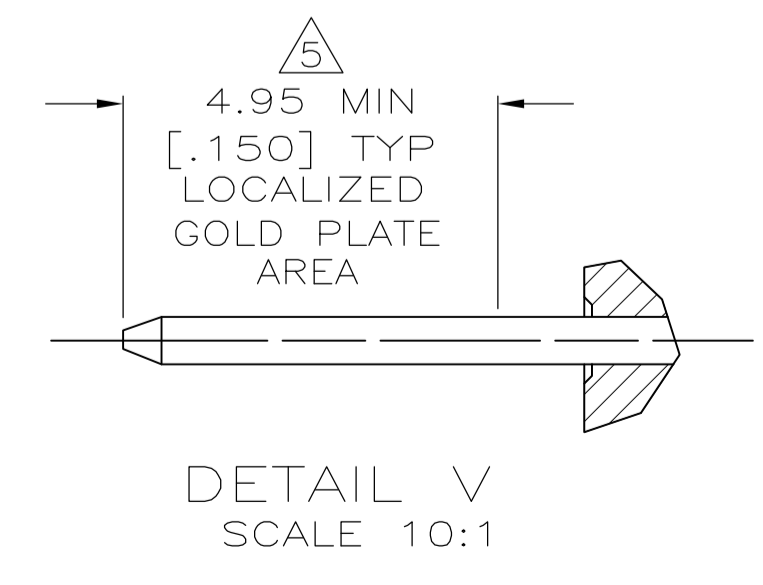


- △ DOUBLE BAR POLARIZATION.
- △ DIMENSION APPLIES AT THE INTERSECTION OF THE POST AND HOUSING.
- △ CENTER POLARIZATION SLOT.
- △ HOUSING: GLASS FILLED NYLON OR PBT, BLACK, UL 94V-0 RATED. POSTS: BRASS.
- △ POSTS: GOLD FLASH ON LOCALIZED GOLD PLATE AREA, 2.54 μm [.000100] MIN TIN-LEAD ON SOLDER TAIL, ALL OVER 1.27 μm [.000050] MIN NICKEL.
- △ DATUMS Y AND Z APPLY IN ZONE I.
- △ NUMBER 1 POSITION INDICATOR.
- △ OPTIONAL AMP IDENTIFICATION NUMBER (DATE CODE). LOCATION APPROXIMATELY WHERE SHOWN.



1 1	NONE	40	111715-8
ROW T	ROW S	NO OF POSN	PART NUMBER
POST OMITTED			

THIS DRAWING IS A CONTROLLED DOCUMENT.		DWN M. MORRIS 20JUL98	Tyco Electronics Corporation Harrisburg, PA 17105-3608	
DIMENSIONS: mm [INCHES]		CHK K. FULLER 20JUL98	NAME Tyco Electronics	
TOLERANCES UNLESS OTHERWISE SPECIFIED:		APVD K. FULLER 20JUL98	PRODUCT SPEC 108-40018	
0 PLC ± -	1 PLC ± -	APPLICATION SPEC		
2 PLC ± 0.13[.005]	3 PLC ± -	SIZE A1	CAGE CODE 00779	DRAWING NO 111715
4 PLC ± -	ANGLES ± -	WEIGHT -	SCALE 4:1	SHEET 1 of 1
MATERIAL △	FINISH △	CUSTOMER DRAWING		