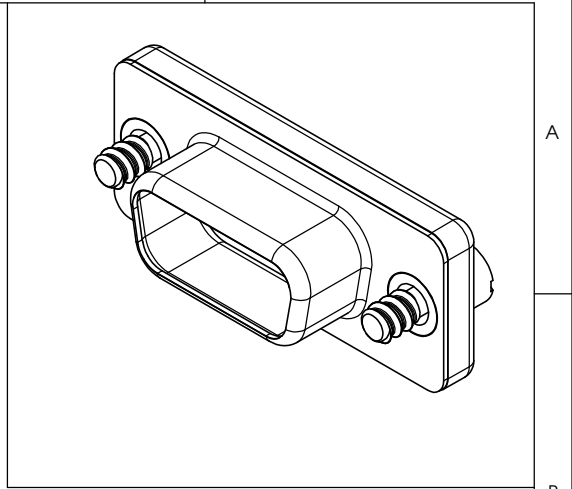
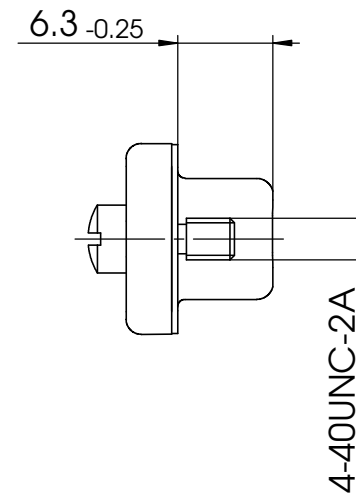
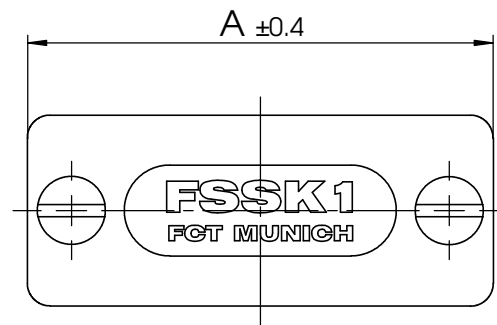
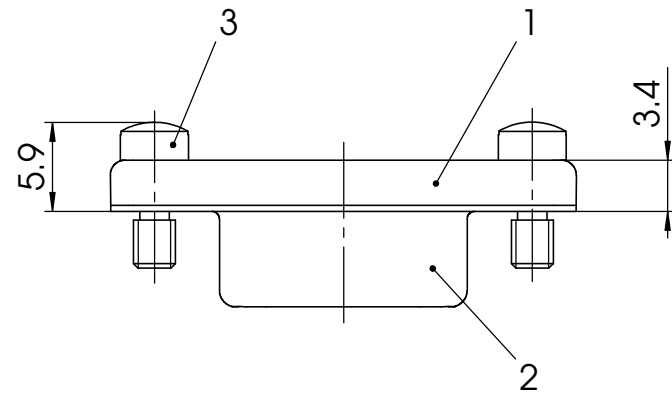
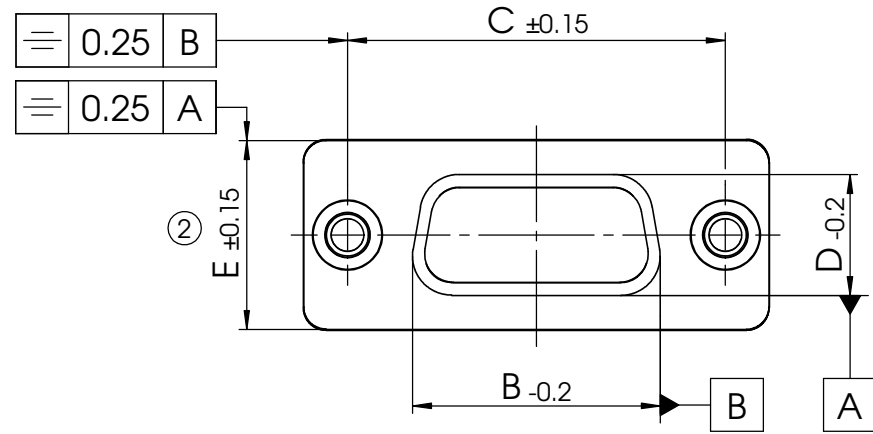


COMMENT:  
ALL RIGHTS ARE RESERVED BY US FOR THIS DRAWING. WITHOUT OUR PRIOR CONSENT,  
IT MAY NEITHER BE DUPLICATED NOR MADE AVAILABLE TO A THIRD PARTY.  
AND IT ALSO MAY NOT BE IMPROPERLY USED BY THE RECEIVER, OR A THIRD PARTY.



# FSSKx \*1) S

e.g. FSSK1S

\*1) x Shell size 1, 2, 3, 4 or 5

Shell size	A mm	B mm	C mm	D mm	E mm
1	30.8	16.4	25	8	12.5
2	39.1	24.7	33.3	8	12.5
3	53	38.5	47.04	8	12.5
4	69.3	54.9	63.5	8	12.5
5	66.9	52.5	61.1	10.8	15.4

② max. torque are 40 Ncm

No.	St.	Part	Type	Description/Material	Surface plating/Colour/Class
3	2	Screw	4-40 / Brass		nickel plated
2	1	Shell	Brass		tin plated
1	1	Shielding flange	FSSK1-5 / Zinc die-cast		nickel plated

				Measurement without tolerance occ. to ISO 2768-m	SCALE 2:1	TITLE <b>Shielded Dust Cap</b>
				NAME / DATE		
			DRAWN	Denzinger 17-06-2002		
			CHECKED	KBurkhardt 13-09-2007		
					DWG.NO.	REV. 2
2	12-09-2007	21987			FSSK1-5S	
1			fctgroup.com		REPLACEMENT FOR:	PAGES 1
REV.	DATE	CH.-NO.	ORIGINAL: DIN A3-DRAWING AS A FILE			