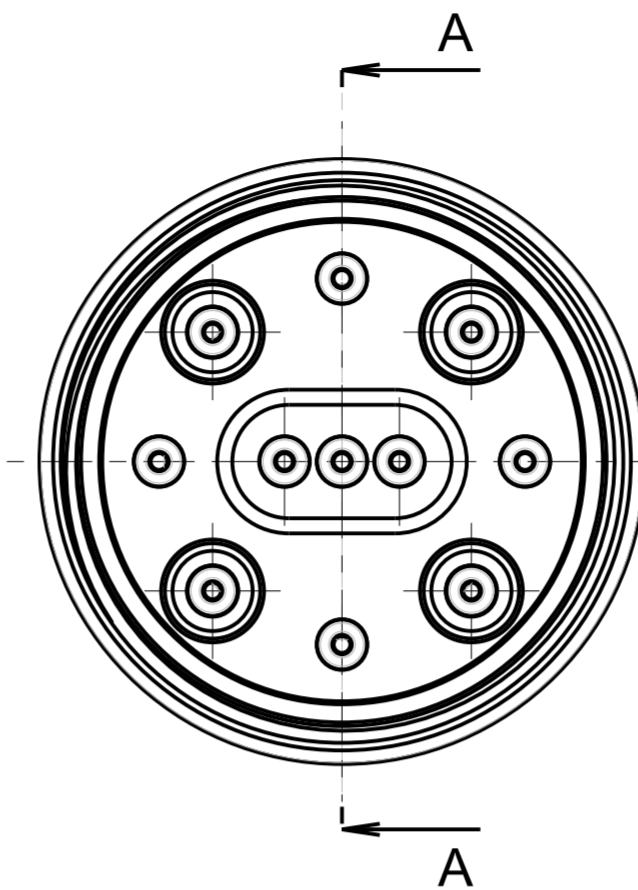
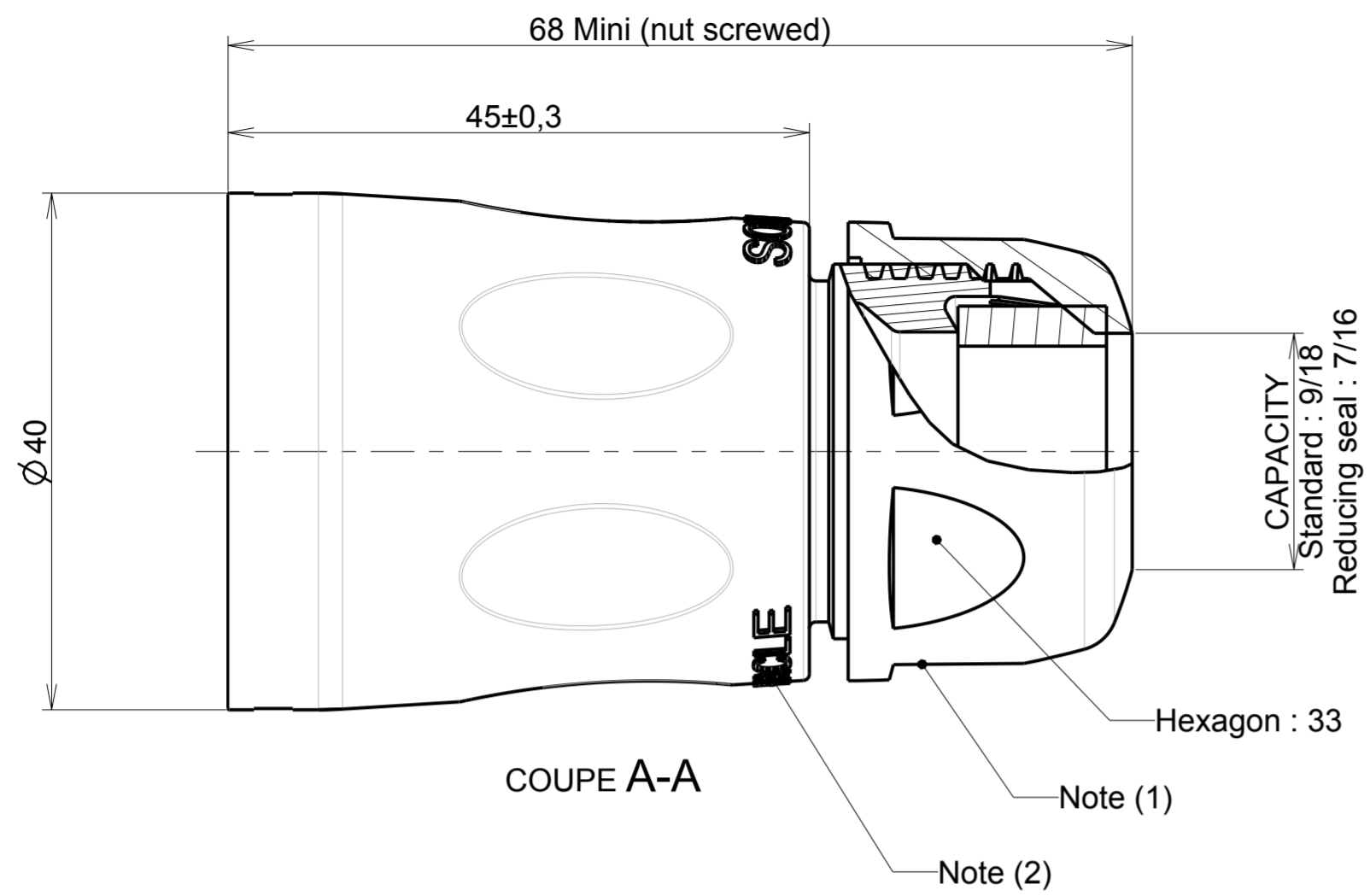


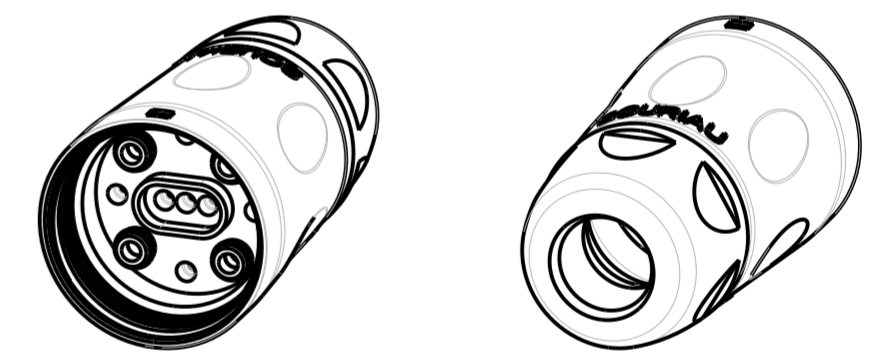
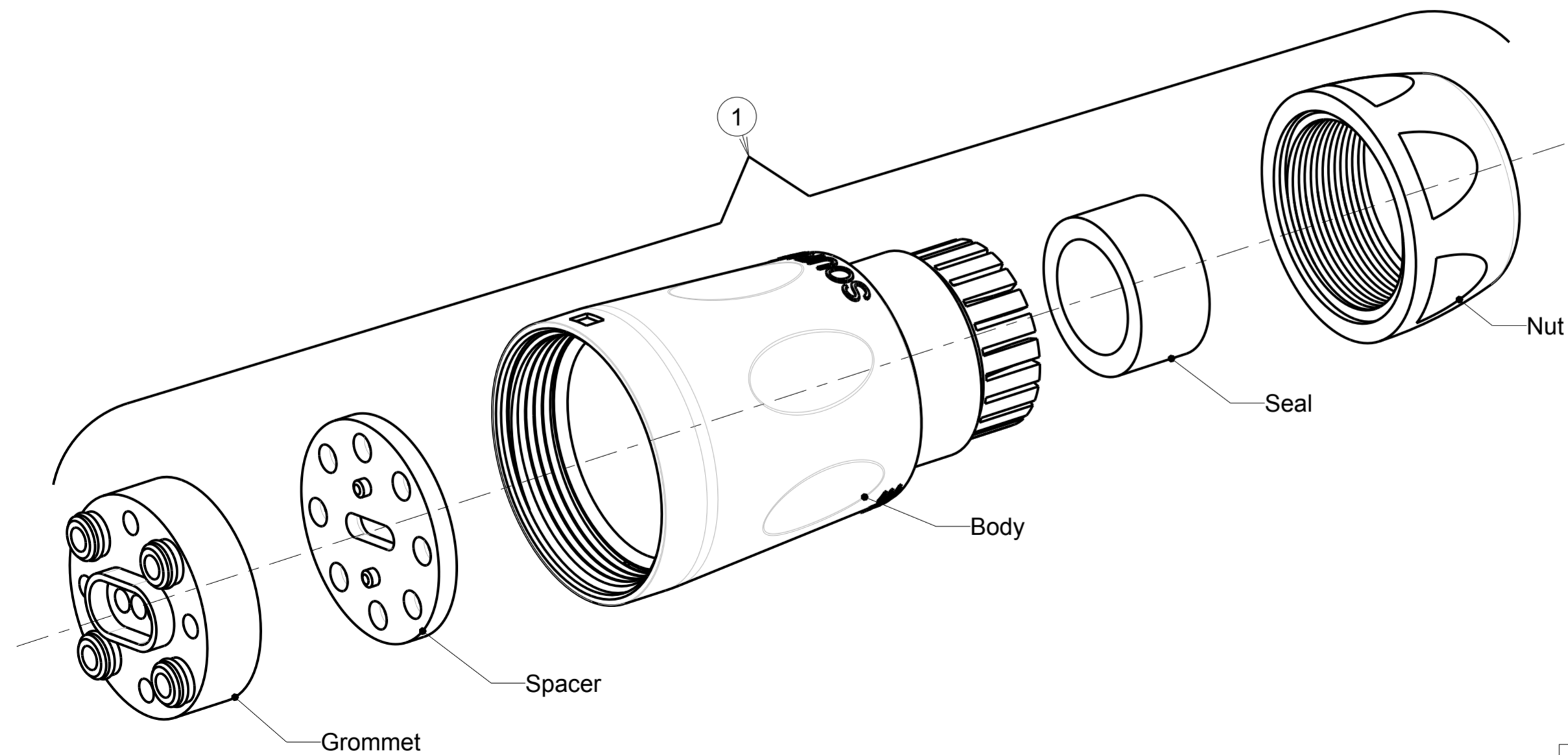
b : 1 : RL



MATERIAL :
 -Body : Thermoplastic
 -Nut : Thermoplastic
 -Seal : Neopren
 -Grommet : Silicone
 -Spacer : PA66

PERFORMANCE CHARACTERISTICS:
 -Operating temperature : -30° up to +85°
 -Level sealing : IP69K (connector assembled only)
 -The backshell is defined according to EN 16330 and Compliance Matrix N°13113

NOTES:
 (1): Remove sealing nut for backshell while using heatshrink boot
 (2): RECEPTACLE marking or PLUG marking



P/N : WME10010A (for receptacle)
 WME10011A (for plug)

REP	P/N	DESCRIPTION	COMMENTS
1	WME10010A	Receptacle Backshell	Delivered with Grommet and Spacer
	WME10011A	Plug Backshell	

b		31/07/13		Drawing becomes official		23017CPR	
ISS	DATE	Latest modification - by:		J.FEURPRIER		MOD N°	
Designed by:		J.FEURPRIER		Date: 27/05/13		CUSTOMER DRAWING	
TITLE		BACKSHELL SIZE 24 WME CONNECTOR					
Scale	1/1	General linear Tolerances: ± 0.2		NPRDS / PROJECT IC131707A			
SOURIAU		WWW.SOURIAU.COM		This document is the property of SOURIAU It must not be reproduced or communicated without permission			
FORMAT	A2	SOURIAU DRG N° WME1-0009A-C01				SHEET 1 / 1	