

4

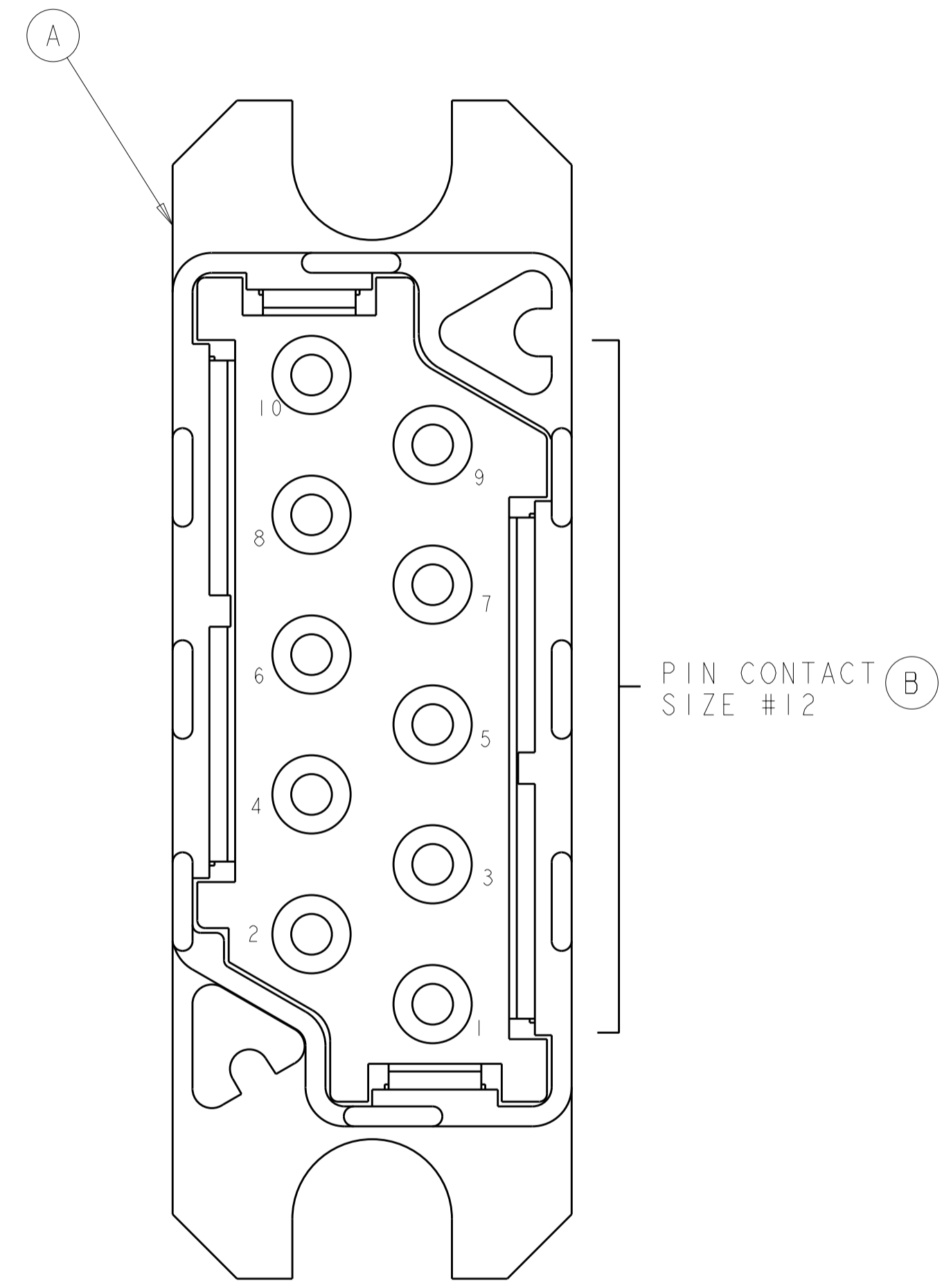
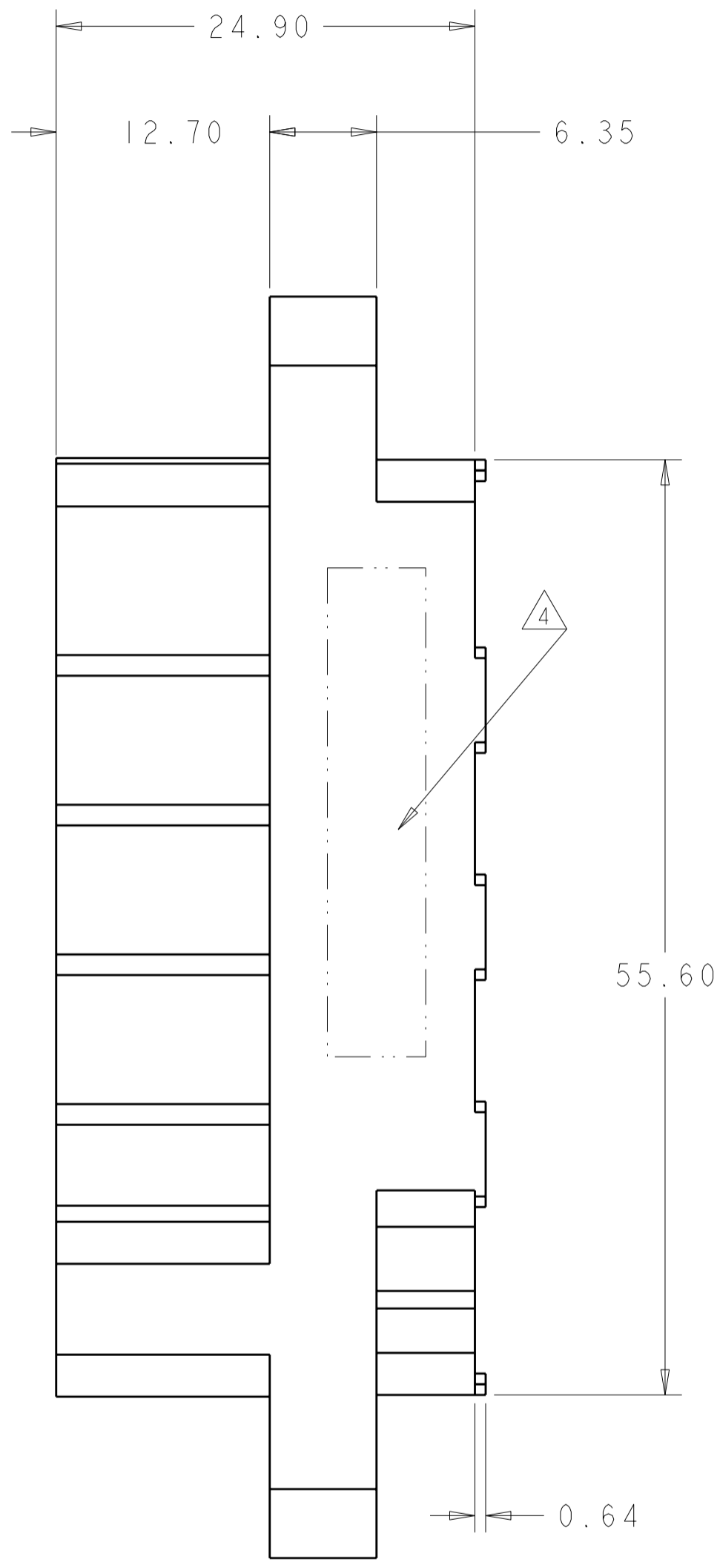
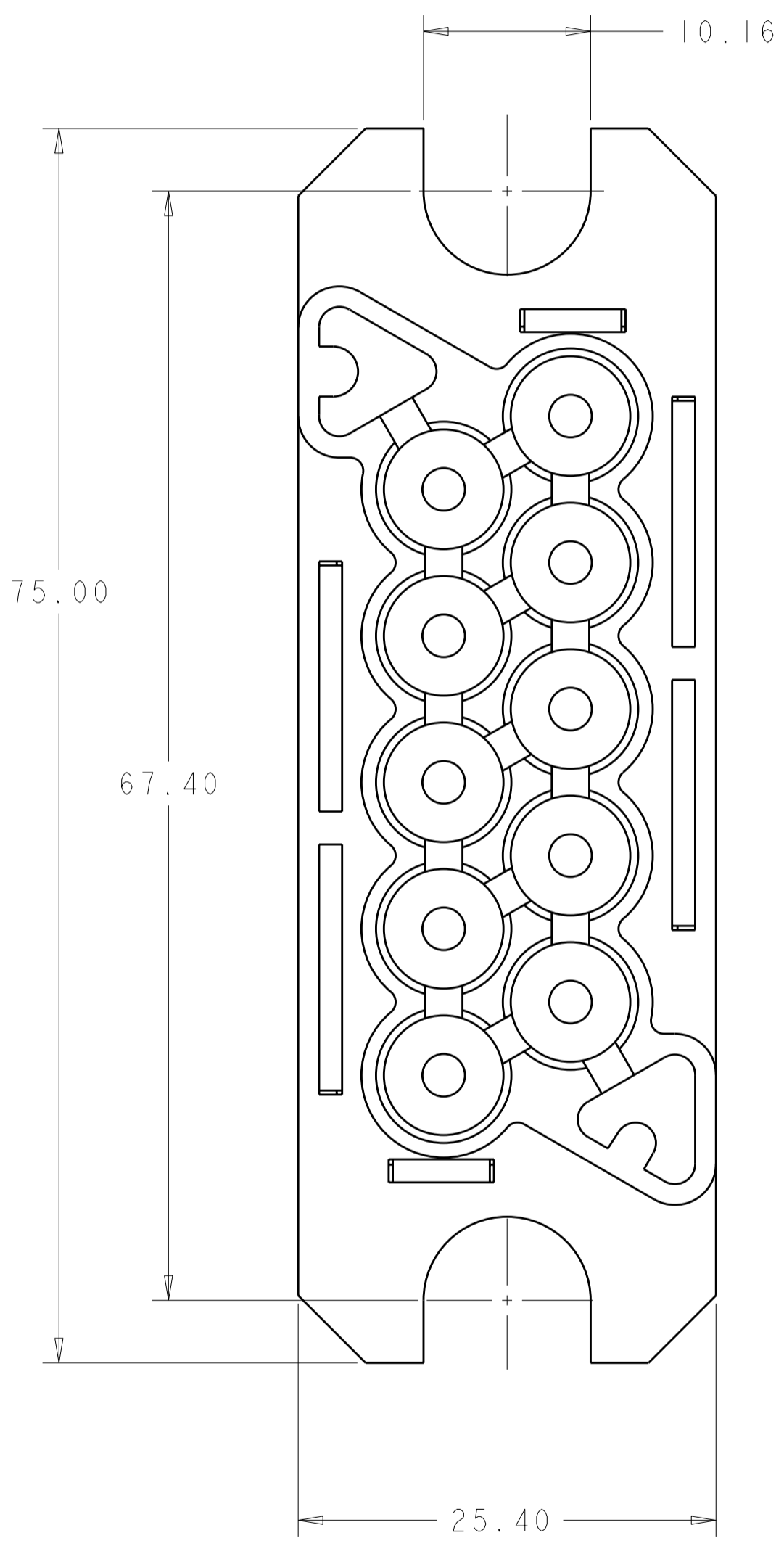
3

2

1

THIS DRAWING IS UNPUBLISHED. RELEASED FOR PUBLICATION 20
 © COPYRIGHT 20 BY TYCO ELECTRONICS CORPORATION. ALL RIGHTS RESERVED.

LOC	DIST	REVISIONS			
P	LTR	DESCRIPTION	DATE	DWN	APVD
GP	00	A	RELEASED	08MAY2008	RG DO

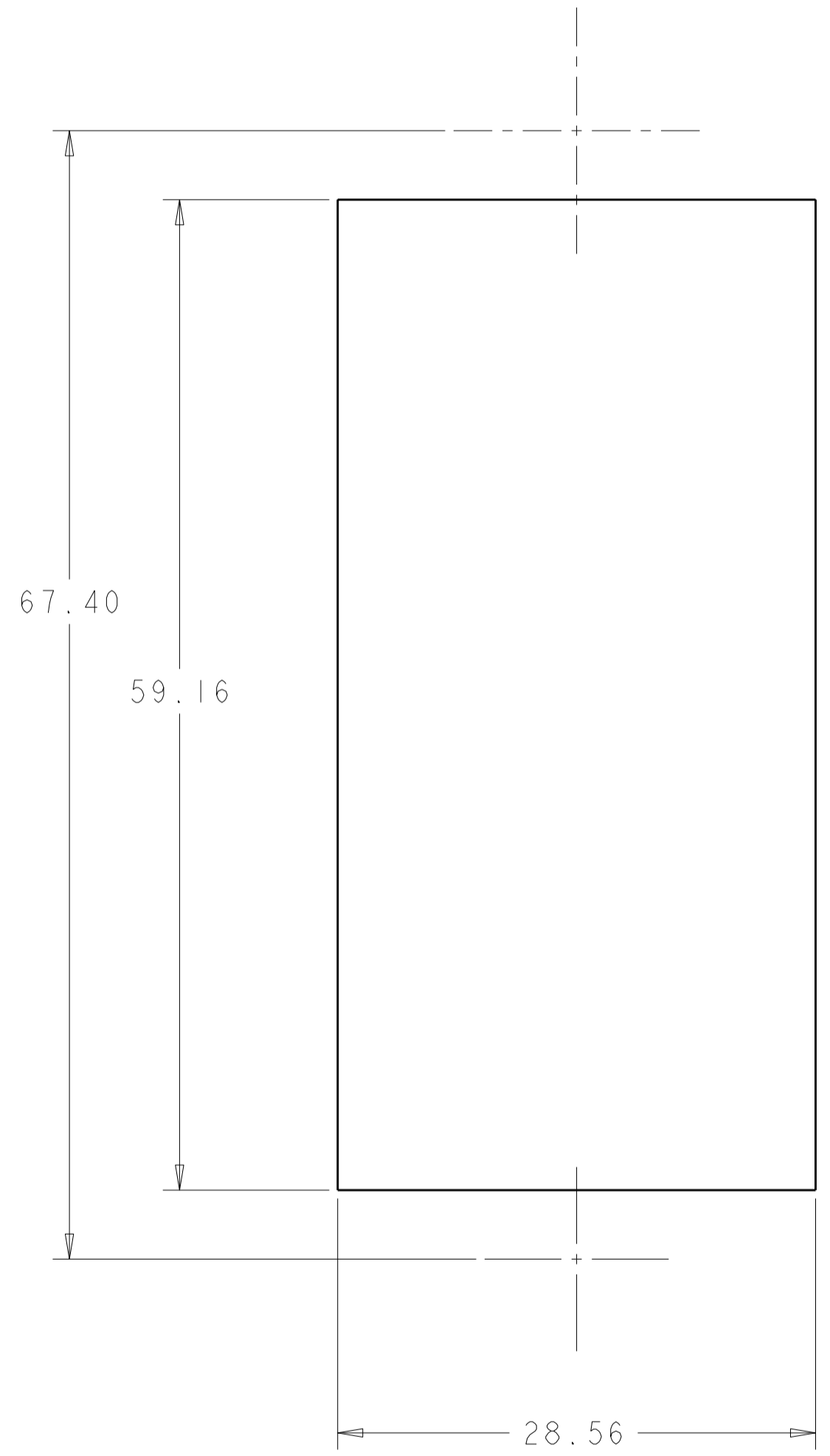


ELCON P10S0 DRAWER

<small>THIS DRAWING IS A CONTROLLED DOCUMENT FOR TYCO ELECTRONICS CORPORATION. IT IS SUBJECT TO CHANGE AND THE CONTROLLING ENGINEERING ORGANIZATION SHOULD BE CONTACTED FOR THE LATEST REVISION.</small>		DWN R. GRZYBOWSKI 17APR08 CHK D. ORRIS 17APR08 APVD S. FLICKINGER 17APR08	Tyco Electronics Harrisburg, PA 17105-3608
DIMENSIONS: mm 	TOLERANCES UNLESS OTHERWISE SPECIFIED: 0 PLC ± 1 PLC ± 2 PLC ±.30 3 PLC ±0.15 4 PLC ± ANGLES ±2 FINISH	PRODUCT SPEC - APPLICATION SPEC - WEIGHT - CUSTOMER DRAWING	NAME: CONNECTOR ASSEMBLY PIN P10S0 DRAWER SIZE: A2 CAGE CODE: 00779 DRAWING NO: 1926815 RESTRICTED TO: - SCALE: 3:1 SHEET 1 OF 2 REV A
DESCRIPTION: AS SHOWN		PART NUMBER: 1926815-1	

THIS DRAWING IS UNPUBLISHED. RELEASED FOR PUBLICATION 20
 © COPYRIGHT 20 BY TYCO ELECTRONICS CORPORATION. ALL RIGHTS RESERVED.

LOC	DIST	REVISIONS					
GP	00	P	LTR	DESCRIPTION	DATE	DWN	APVD
		-		SEE SHEET 1			



SUGGESTED PANEL CUT-OUT
 VIEW FROM CONNECTOR MOUNTING SIDE

- PART NUMBER CHANGES AND OR DESIGN CHANGES AFFECTING ITEM INTERCHANGEABILITY REQUIRE PRIOR TYCO ELECTRONICS APPROVAL AND AUTHORIZATION BY REVISION TO THIS DRAWING.
- MATERIAL:
 INSULATOR - THERMOPLASTIC, GLASS REINFORCED, COLOR: BLACK
 UL94V-0 FLAMMABILITY RATED.
 PIN CONTACTS - COPPER ALLOY
 RETENTION CLIPS: STAINLESS STEEL OR COPPER ALLOY
- FINISH:
 CONTACTS - SILVER PLATE 5.08µm MIN. THK. OVER NICKEL
 1.02µm MIN. THK.

△ ITEMS PROVIDED TO THIS SPECIFICATION TO BE PERMANENTLY IDENTIFIED PER THE FOLLOWING IDENTIFIER LABEL

YEAR 11 WEEK 11

TYCO ELECTRONICS P/N DATE CODE (e.g. 0106)

XXXXXXXX-X XXXX

△ CRIMP CONTACTS AND SHOULDER SCREW (ITEM B AND C) SHALL BE PACKAGED SEPERATELY AND PLACED IN THE BOX WITH THE CONNECTOR ASSEMBLY.

△ 2	1650589-1	SHOULDER SCREW, FLOAT MOUNT, M4 X 0.7	C	
△ 10	1766193-1	CONTACT, PIN #12, CRIMP, STD	B	
	1	1648568-2	PIN, CONNECTOR ASSY	A
	-1	PART NUMBER	DESCRIPTION	ITEM NO.

ELCON P10SO DRAWER

<small>THIS DRAWING IS A CONTROLLED DOCUMENT FOR TYCO ELECTRONICS CORPORATION IT IS SUBJECT TO CHANGE AND THE CONTROLLING ENGINEERING ORGANIZATION SHOULD BE CONTACTED FOR THE LATEST REVISION.</small>		DWN R.GRZYBOWSKI 17APR08 CHK D.ORRIS 17APR08 APVD S.FLICKINGER 17APR08	Tyco Electronics Harrisburg, PA 17105-3608
DIMENSIONS: mm 	TOLERANCES UNLESS OTHERWISE SPECIFIED: 0 PLC ± 1 PLC ± 2 PLC ±.30 3 PLC ±0.15 4 PLC ± ANGLES ±2 FINISH	PRODUCT SPEC APPLICATION SPEC WEIGHT	NAME CONNECTOR ASSEMBLY PIN P10SO DRAWER SIZE CAGE CODE DRAWING NO RESTRICTED TO A200779 C-1926815 -
MATERIAL		CUSTOMER DRAWING	SCALE 3:1 SHEET 2 OF 2 REV A