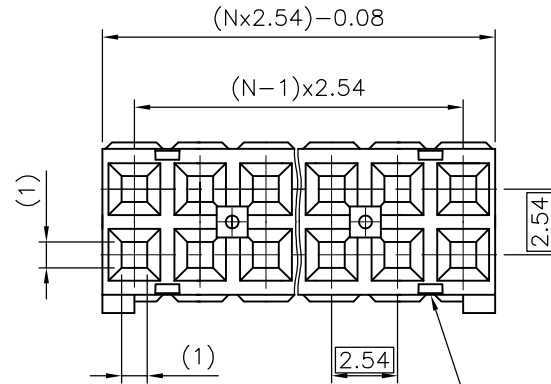


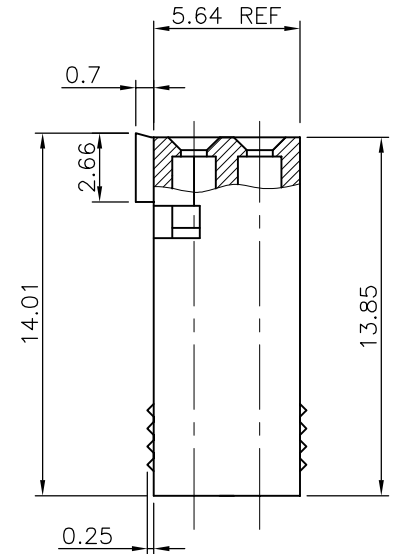
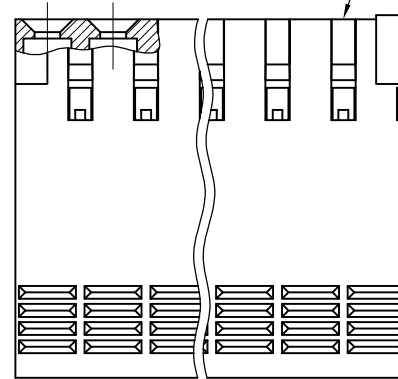
PRODUCT NUMBER

65239-YXXLF

WHEN NEEDED, SUFFIX LETTER "LF"
INDICATES THE PRODUCT IS RoHS
COMPLIANT, SEE NOTE 6
NUMBER OF CAVITIES PER ROW : 02 TO 36.
PLASTIC MATERIAL COLOR CODE.
0 = BLUE
1 = GREY



SEE NOTE 2



NOTES:

- 1 - HOUSING MAT'L: THERMOPLASTIC GLASS FILLED FLAME RETARDANT PER UL 94 V-O.
- 2 - OVER DASH -007 ONLY FIRST AND LAST THREE POSITIONS MUST HAVE GROOVES ON TWO SIDES.
- 3 - PRODUCT PACKED IN PLASTIC BAG.
- 4 - TO DETERMINE DIMENSIONS:
N = NUMBER OF POSITIONS
EXAMPLE: 8 POS: $(N \times 2.54) - 0.08 = 20.24$ mm.
- 5 - FOR TECHNICAL APPLICATION SEE TA317.
- 6 - RoHS COMPATIBLE PRODUCT SPECIFICATIONS

a - LABELING:

- MEETS PACKAGING SPECS AS PER GS-14-920

b - LEGAL STATEMENT: SEE GS-22-008

THE PRODUCT IS NOT INTENDED TO BE EXPOSED TO A MANUFACTURING SOLDER PROCESS.

mat'l. code		surface		tolerance		projection		product family	
SEE NOTE		ISO 1302		ISO 406 ISO 1101		101		DUBOX	
ltr	ecn no	dr	date	tolerances unless otherwise specified		mm		title	
M	F05-0236	DLE	05.08.24	±0.3		mm		CtW HOUSING DR	
N	F05-0286	DLE	05.11.07	linear					
P	F06-0146	DLE	06.03.10	±2'		scale 5:1			
R	F06-0225	DLE	06.07.07	dr	L.MULIN	00.08.30			
				enrg	P.NIZZI	00.08.30			
K	F04-0347	DLE	04.12.10	chr	JF.NOTTEAU	00.08.30			
L	F05-0169	DLE	05.04.07	appd	P.NZ	00.08.30			
sheet index		revision sheet						dwg no	
								sheet 1 of 1 size	
								65239 A3	
								type CUSTOMER Drawing	