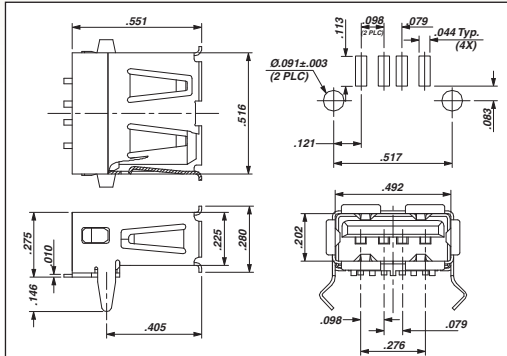
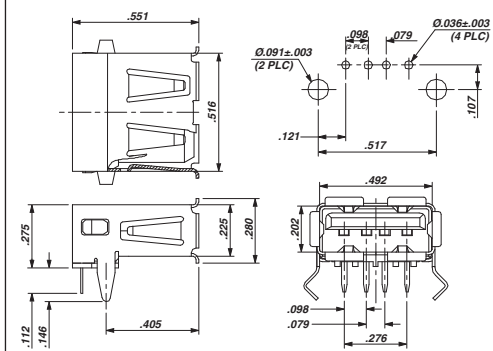


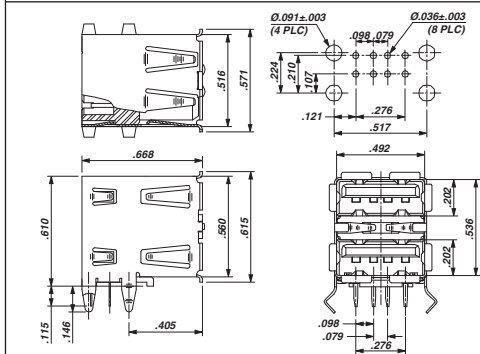
## SERIES 896, 897 • UNIVERSAL SERIAL BUS • SOCKETS



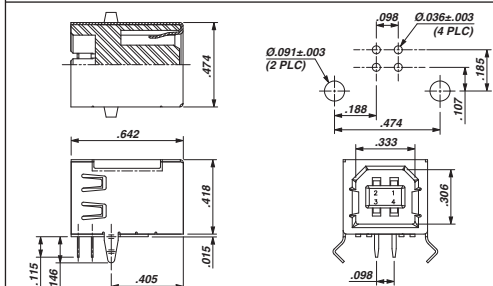
**FIG. 1**



**FIG. 2**



**FIG. 3**



**FIG. 4**

- USB receptacles for through-hole and surface mount
- Plug retention tabs
- Kinked locating legs for secure PCB retention
- Fully shielded
- Fully compatible with USB 1.0 and 2.0 specifications
- Passes 16MHz signal attenuation per ASTM-D-4566
- Packaged in trays, 150 pieces per tray



## ORDERING INFORMATION

<b>FIG. 1</b>	<b>Type A Receptacle, Single, Surface Mount</b>
	896-43-004-00-000000
<b>FIG. 2</b>	<b>Type A Receptacle, Single, Through-Hole</b>
	896-43-004-90-000000
<b>FIG. 3</b>	<b>Type A Receptacle, Double, Through-Hole</b>
	896-43-008-90-000000
<b>FIG. 4</b>	<b>Type B Receptacle, Single, Through-Hole</b>
	897-43-004-90-000000

## Technical Specifications

### Materials:

Terminals: Copper Alloy, Tin-Plated  
 Casing and Shield: Stainless Steel  
 Insulator material: High temperature thermoplastic rated UL94V-0

### Ratings:

Voltage: 30VAC (rms)  
 Current: 1A max. per contact for 30°C temperature rise  
 All housing materials rated for "lead-free" soldering up to 260° C

### Electrical:

Contact resistance: 30mΩ max.  
 Insulation resistance: 1000MΩ min.  
 Dielectric withstanding voltage: 750VAC at sea level  
 Capacitance: 2pF max.

### Mechanical:

Random vibration: No discontinuity >1μs per EIA 364-28, cond. V, letter A  
 Physical shock: No discontinuity >1μs per EIA 364-27, condition H  
 Durability: 1500 cycles min. per EIA 364-09  
 Mating force: 35 Newtons max. per EIA 364-13  
 Unmating force: 10 Newtons min. per EIA 364-13

### Environmental:

Thermal shock per EIA 364-32, condition I  
 Humidity per EIA 364-31, method II, condition A  
 Temperature life per EIA 364-17, condition 3, method A

